



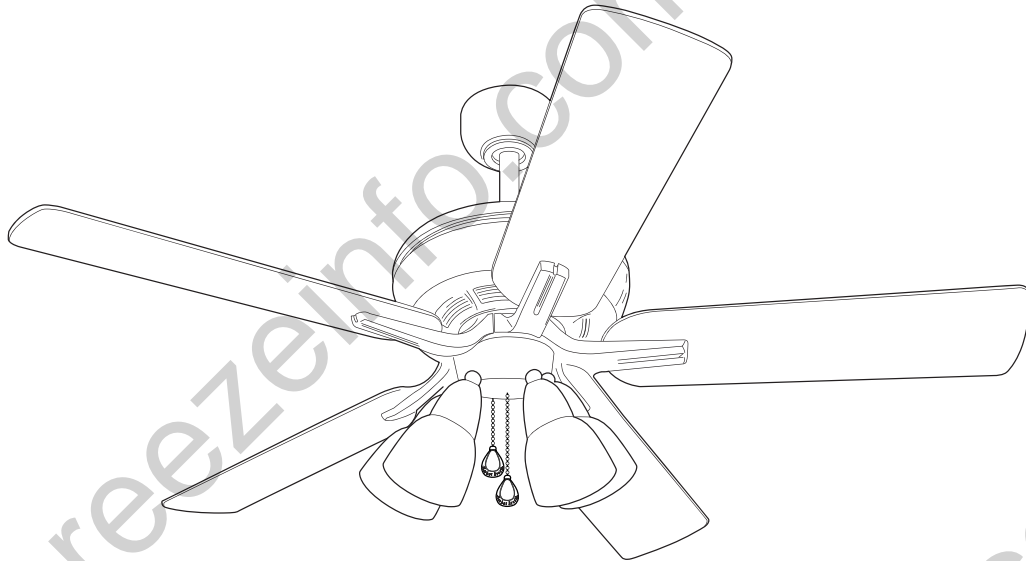
ITEM #0125453  
0125500

# TIEMPO CEILING FAN

Harbor Breeze® is a registered trademark of LF, LLC. All Rights Reserved.

MODEL #E-TM52BNK5CS  
E-TM52BNKB5CS

Español p. 19



Federal regulations require ceiling fans with light kits manufactured or imported after January 1, 2009, to limit total wattage consumed by the light kit to 190W. Therefore, this fan is equipped with a wattage limiting device.



### ATTACH YOUR RECEIPT HERE

Serial Number \_\_\_\_\_ Purchase Date \_\_\_\_\_



**Questions, problems, missing parts?** Before returning to your retailer, call our customer service department at **1-800-643-0067**, 8 a.m. - 6 p.m., EST, Monday - Thursday, 8 a.m. - 5 p.m., EST, Friday.



Lowes.com/harborbreeze

## TABLE OF CONTENTS

---

Safety Information .....	2
Package Contents .....	4
Hardware Contents .....	5
Preparation .....	5
Initial Installation .....	6
Fan Mounting .....	7
Wiring .....	10
Final Installation .....	12
Operating Instructions .....	14
Care and Maintenance .....	16
Troubleshooting.....	16
Limited Lifetime Warranty .....	17
Replacement Parts List .....	18



### **SAFETY INFORMATION**

---

#### **READ AND SAVE THESE INSTRUCTIONS**

Please read and understand this entire manual before attempting to assemble, install or operate the product.

- Do not discard fan carton or foam inserts. Should this fan need to be returned to the factory for repairs, it must be shipped in its original packaging to ensure proper protection against damage that might exceed the initial cause for return.
- Make sure all electrical connections comply with local codes, ordinances, the National Electrical Code and ANSI/NFPA 70-1999. Hire a qualified electrician or consult a do-it-yourself wiring handbook if you are unfamiliar with installing electrical wiring.
- Make sure the installation site you choose allows a minimum clearance of 7 ft. from the blades to the floor and at least 30 in. from the end of the blades to any obstruction.
- After you install the fan, make sure all connections are secure to prevent the fan from falling.
- The net weight of this fan including the light kit is: 24.45 lbs.



## WARNING



To reduce the risk of fire, electrical shock, or personal injury, mount fan to outlet box marked "ACCEPTABLE FOR FAN SUPPORT OF 35 LBS. (15.9 KG) OR LESS" and use mounting screws provided with the outlet box. Most outlet boxes commonly used for the support of lighting fixtures are not acceptable for fan support and may need to be replaced. Consult a qualified electrician if in doubt.

When mounting fan to a ceiling outlet box, use a METAL octagonal outlet box. Secure the outlet box directly to the building structure. The outlet box and its support must be able to support the moving weight of the fan (at least 35 lbs.). Do NOT use a plastic outlet box.

To avoid personal injury, the use of gloves may be necessary while handling fan parts with sharp edges.

To reduce the risk of fire, electrical shock or personal injury, wire connectors provided with this fan are designed to accept only one 12-gauge house wire and two lead wires from the fan. If your house wire is larger than 12-gauge or there is more than one house wire to connect to the corresponding fan lead wires, consult an electrician for the proper size wire connectors to use.

**To reduce the risk of fire or electrical shock do not use the fan with any solid state speed control device or control fan speed with a full range dimmer switch.**

To reduce the risk of fire, electrical shock or personal injury, do not bend the blade arms when installing them, balancing the blades or cleaning the fan. Do not insert objects between the rotating fan blades.

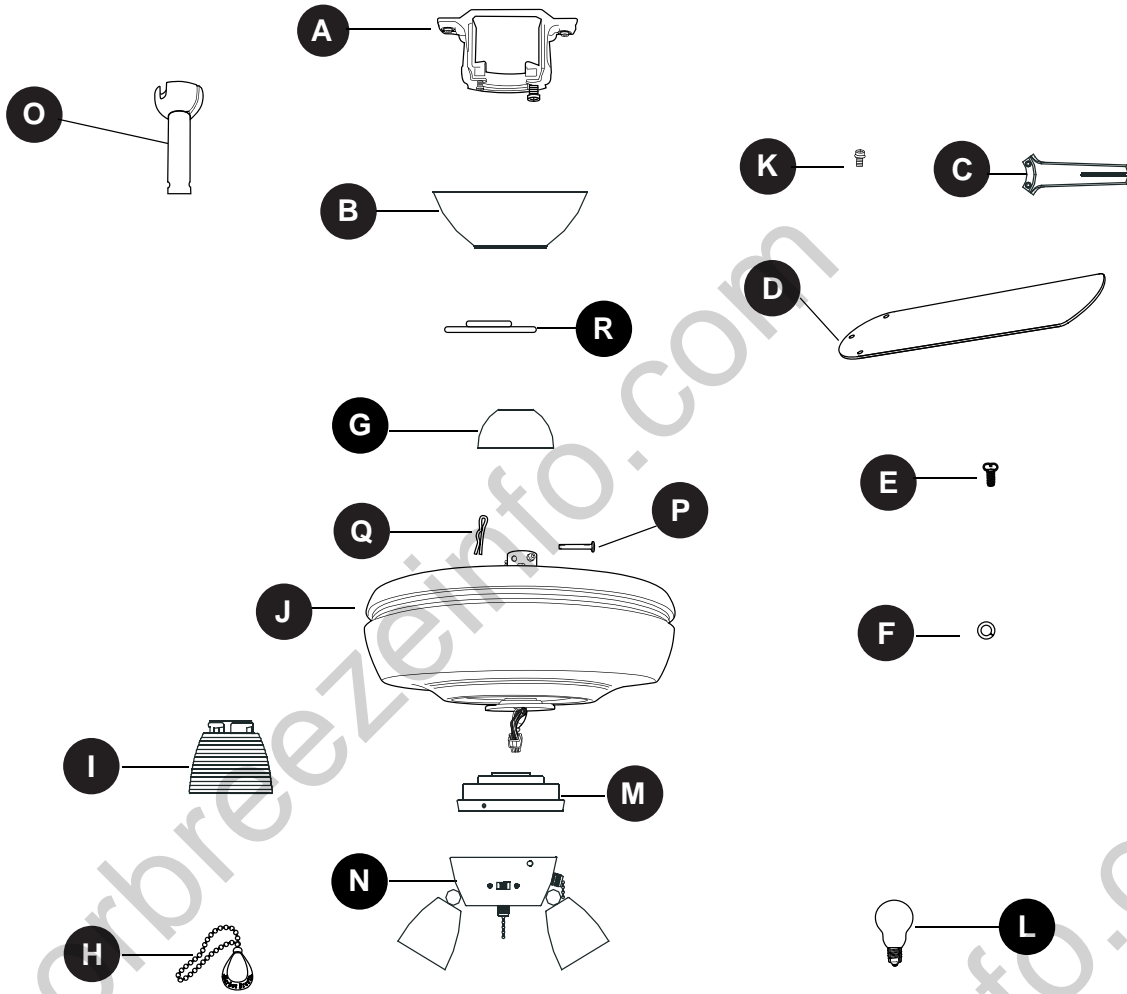
To reduce the risk of personal injury, use **only** parts provided with this fan. **The use of parts OTHER than those provided with this fan will void the warranty.**

## CAUTION

Before proceeding, be sure to shut off electricity at main switch or circuit breaker in order to avoid electrical shock.

Read all instructions and safety information before installing your new fan. Review the accompanying assembly diagrams.

# PACKAGE CONTENTS



PART	DESCRIPTION	QUANTITY
A	Mounting Bracket	1
B	Canopy	1
C	Blade Arm	5
D	Blade	5
E	Motor Screw (preassembled)	10 + 1 extra
F	Lock Washer (preassembled)	10 + 1 extra
G	Yoke Cover	1
H	Pull Chain Extension	2

PART	DESCRIPTION	QUANTITY
I	Glass Shade	4
J	Motor Housing	1
K	Canopy Mounting Screw (preassembled)	4
L	Bulb	4
M	Switch Housing Plate	1
N	Light Kit Fitter	1
O	Downrod	1
P	Pin (preassembled)	1
Q	Clip (preassembled)	1
R	Canopy Cover	1

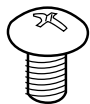
**⚠ IMPORTANT REMINDER:** You must use the parts provided with this fan for proper installation and safety.



## HARDWARE CONTENTS (shown actual size)

---

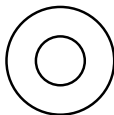
AA



Blade  
Screw

Qty. 15  
+ 1 extra

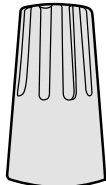
BB



Blade  
Washer

Qty. 15  
+ 1 extra

CC



E3 Wire  
Connector

Qty. 4

## PREPARATION

---

Before beginning assembly of product, make sure all parts are present. Compare parts with package contents list and hardware contents list. If any part is missing or damaged, do not attempt to assemble the product.

**Estimated Assembly Time: 120 minutes**

Tools Required for Assembly (not included): Electrical Tape, Phillips Screwdriver, Pliers, Safety Glasses, Stepladder and Wire Strippers.

Helpful Tools (not included): AC Tester Light, Tape Measure, Do-It-Yourself Wiring Handbook and Wire Cutters.

**⚠ DANGER:** When using an existing outlet box, make sure the outlet box is securely attached to the building structure and can support the full weight of the fan. Failure to do this can result in serious injury or death. The stability of the outlet box is essential in minimizing wobble and noise in the fan after installation is complete.

**⚠ CAUTION:** Be sure outlet box is properly grounded and that a ground wire (green or bare) is present.

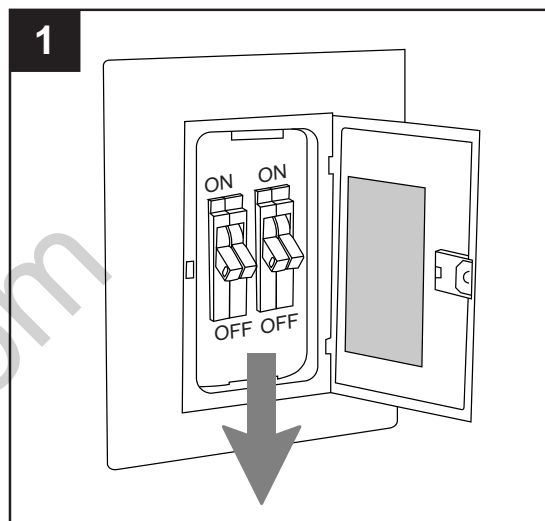
After opening top of carton, remove mounting hardware package from foam inserts. Remove motor from packing and place on carpet or on foam to avoid damage to finish.

**⚠ CAUTION:** Carefully check all screws, bolts and nuts on fan motor assembly to ensure they are secured.

## INITIAL INSTALLATION

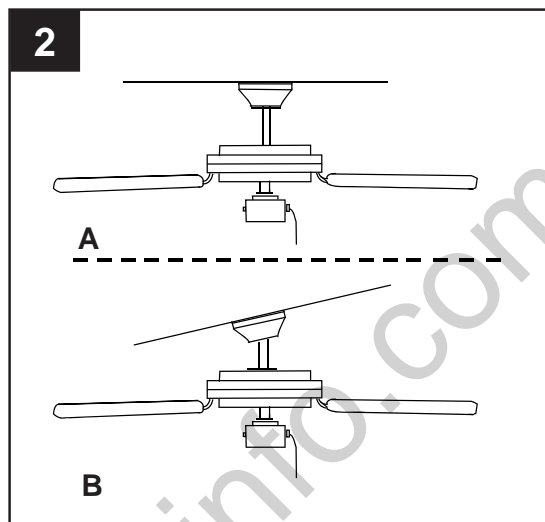
1. Turn off circuit breakers and wall switch to the fan supply line leads.

**⚠ DANGER:** Failure to disconnect power supply prior to installation may result in serious injury or death.

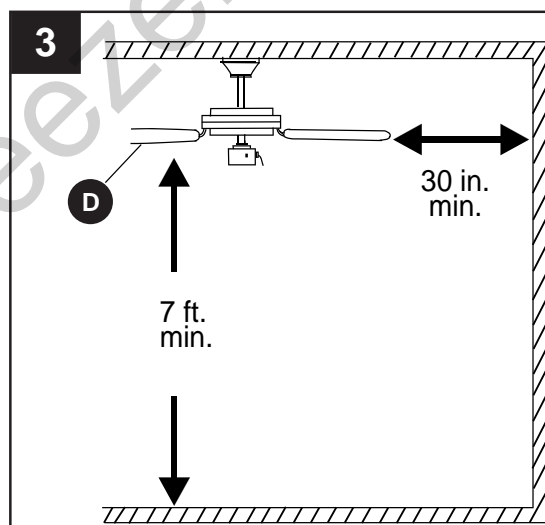


2. Determine mounting method to use.
  - A. Standard mount
  - B. Angle mount**IMPORTANT:** If using the angle mount, ensure the ceiling angle is not steeper than 19°.

**\*Helpful Hint:** Downrod-style mounting is best suited for ceilings 8 ft. high or higher. For taller ceilings you may want to use a longer downrod (not included). Angle-style mounting is best suited for angled or vaulted ceilings. A longer downrod is sometimes necessary to ensure proper blade clearance.



3. Check to make sure blades (D) are at least 30 in. from any obstruction and at least 7 ft. above the floor.



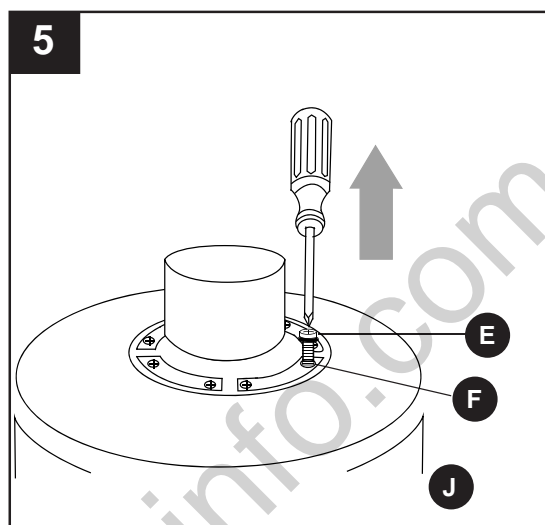
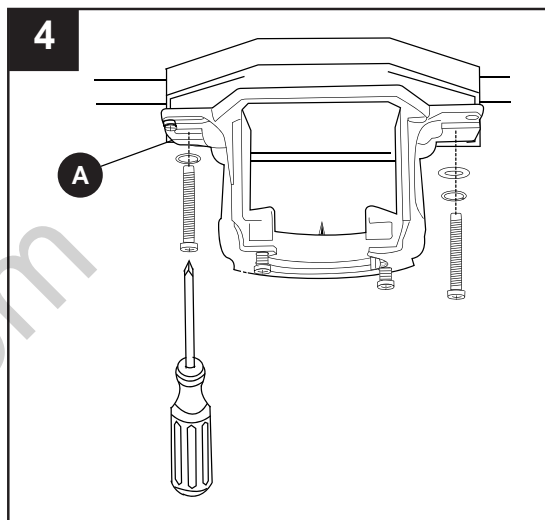
## INITIAL INSTALLATION

- Secure mounting bracket (A) to outlet box (not included) using screws, spring washers, and flat washers provided with the outlet box.

**\*NOTE:** It is very important that you use the proper hardware when installing the mounting bracket (A) as this will support the fan.

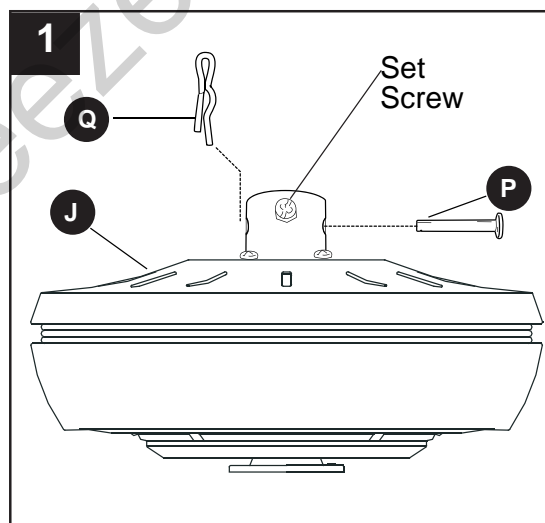
**IMPORTANT:** If using the angle mount, make sure open end of mounting bracket (A) is installed facing the higher point of the ceiling.

- Remove motor screws (E) and lock washers (F) from underside of motor housing (J). Save motor screws (E) and lock washers (F) for blade arm (C) attachment later on.



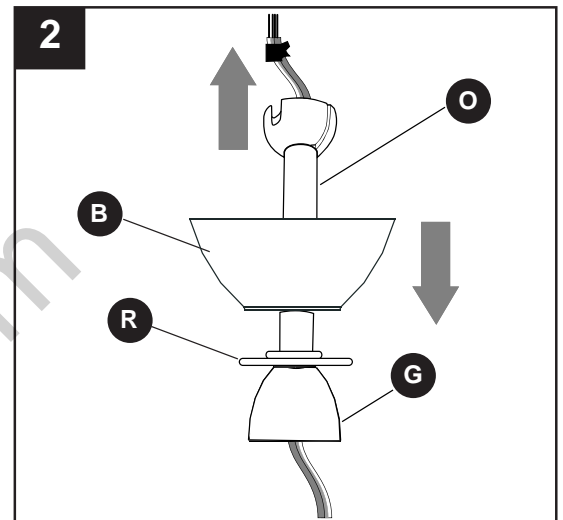
## FAN MOUNTING

- Remove pin (P) and clip (Q) from motor housing yoke at top of motor housing (J) and partially loosen preassembled set screws.

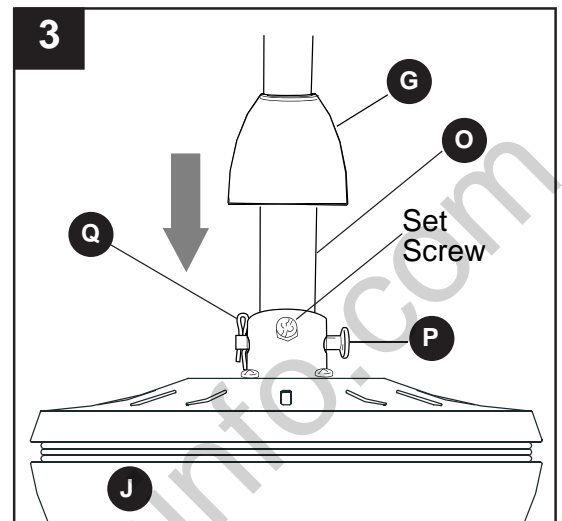


## FAN MOUNTING

2. Insert downrod (O) through canopy (B), canopy cover (R) and yoke cover (G). **[NOTE: Canopy cover (R) must be turned with the shiny side toward the motor housing (J).]** Thread wires from motor housing (J) through downrod (O).



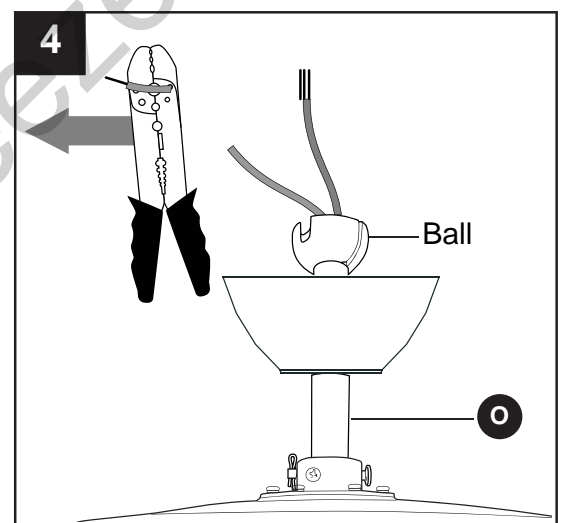
3. Slip downrod (O) into motor housing yoke, align holes and re-install pin (P) and clip (Q). Tighten set screws in motor housing yoke and then tighten pre-assembled nuts on the set screws. Slide yoke cover (G) down until it rests on top of motor housing (J).



4. Depending on the length of downrod you use, you may need to cut the lead wires back to simplify the wiring. If you decide to cut back the lead wires, it is suggested you do so in the following manner:

Take the lead wires and make sure you have pulled them all the way through the top of the downrod. Start at the TOP of the ball on the downrod and measure 8 in. of lead wire, and then cut the excess wire off with wire cutters (not included).

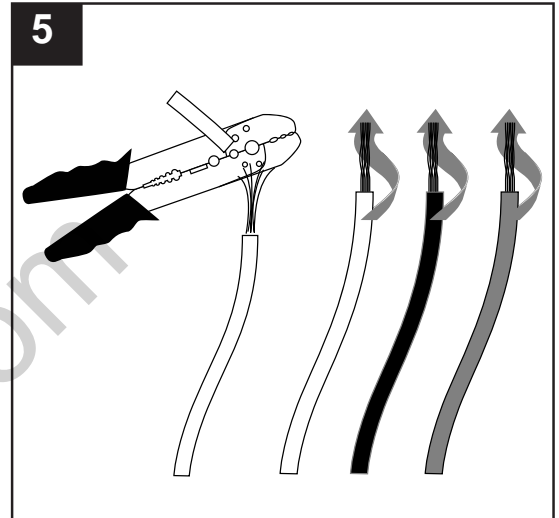
**NOTE:** If you do *not* cut back the lead wires, **Steps 4 and 5 are not necessary and you may proceed to Step 6 instead.**





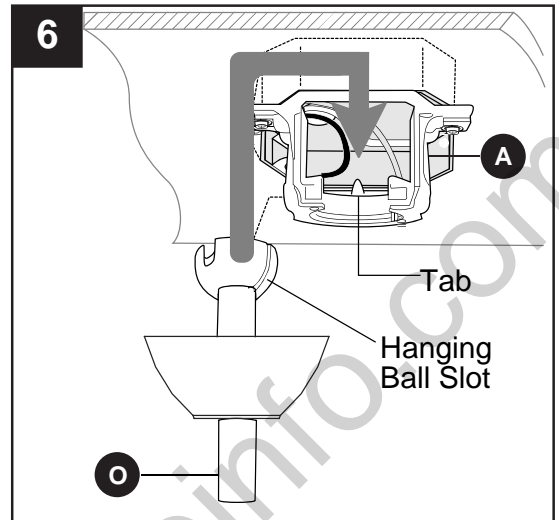
## FAN MOUNTING

5. If you decided to cut back the lead wires in Step 4, strip 1/2 in. of insulation from end of white wire. Twist stripped ends of each strand of wire within the insulation with pliers (not included). Repeat Step 5 for black, blue (if applicable) and green wires.



6. Install ball end of downrod (O) into opening of mounting bracket (A). Align slot in ball with tab in mounting bracket (A).

**⚠ DANGER:** Failure to align slot in ball with tab may result in serious injury or death.



## WIRING

**⚠ WARNING:** To reduce the risk of fire, electrical shock, or personal injury, wire connectors provided with this fan are designed to accept only one 12-gauge house wire and two lead wires from the fan. If your house wire is larger than 12-gauge or there is more than one house wire to connect to the two fan lead wires, consult an electrician for the proper size wire connectors to use.

**⚠ CAUTION:** Be sure outlet box is properly grounded and that a ground (green or bare) wire is present.

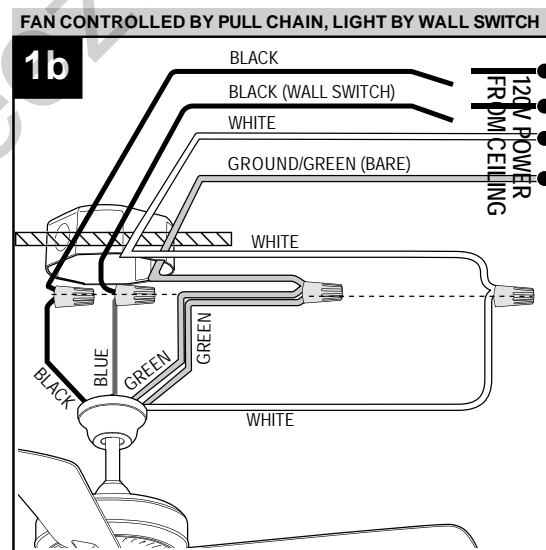
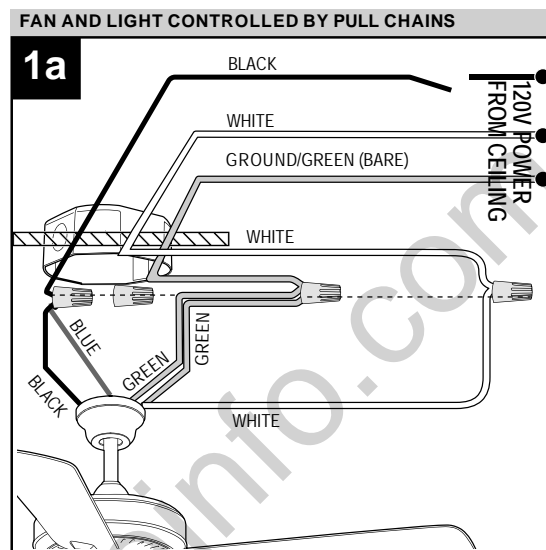
**⚠ WARNING:** If house wires are different colors than referred to in the following steps, stop immediately. A professional electrician is recommended to determine wiring.

**NOTE:** This fan is remote control adaptable (remote control not included).

1. Choose wiring diagram (Fig. 1a, Fig. 1b or Fig. 1c) that fits your situation and make appropriate wiring connections as follows: **[IMPORTANT:** For each wire connection below, use one of the wire connectors (CC) provided, making sure to screw wire connector (CC) on in a clockwise direction.]

**1a. FAN AND LIGHT CONTROLLED BY PULL CHAINS:** Connect BLACK and BLUE wire from fan to BLACK wire from ceiling. Connect WHITE wire from fan to WHITE wire from ceiling. Connect GREEN wire from fan (on mounting bracket (A) and downrod (O)) to BARE/GREEN wire from ceiling.

**1b. FAN CONTROLLED BY PULL CHAIN, LIGHT BY WALL SWITCH:** If you intend to control the fan light with a separate wall switch, connect BLACK wire from fan to BLACK wire from ceiling. Connect BLUE wire from fan to the BLACK (or RED) wire from the independent wall switch for the light. Connect WHITE wire from fan to WHITE wire from ceiling. Connect GREEN wire from fan (on mounting bracket (A) and downrod (O)) to BARE/GREEN wire from ceiling.



## WIRING

**1c. FAN AND LIGHT CONTROLLED BY TWO WALL SWITCHES:** If you intend to control the fan and light with separate wall switches, connect BLACK wire from fan to BLACK wire from the independent wall switch for the fan. Connect BLUE wire from fan to the BLACK (or RED) wire from the other independent wall switch for the light. Connect WHITE wire from fan to WHITE wire from ceiling. Connect GREEN wire together from fan (on mounting bracked (A) and downrod (O)) to BARE/GREEN wire from ceiling.

**NOTE:** BLACK wire is hot power for fan. BLUE wire is hot power for light kit. WHITE wire is common for fan and light kit. GREEN or BARE wire is ground.

2. Wrap electrical tape (not included) around each individual wire connector (CC) down to the wire.

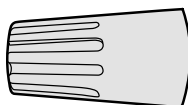
**⚠ WARNING:** Make sure no bare wire or wire strands are visible after making connections. Place green and white connections on opposite side of box from the black and blue (if applicable) connections.

Turn spliced/taped wires upward and gently push wires and wire connectors (CC) into outlet box.

### Hardware Used

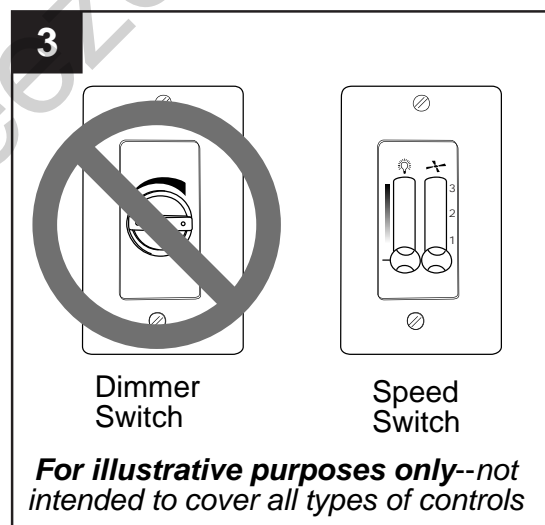
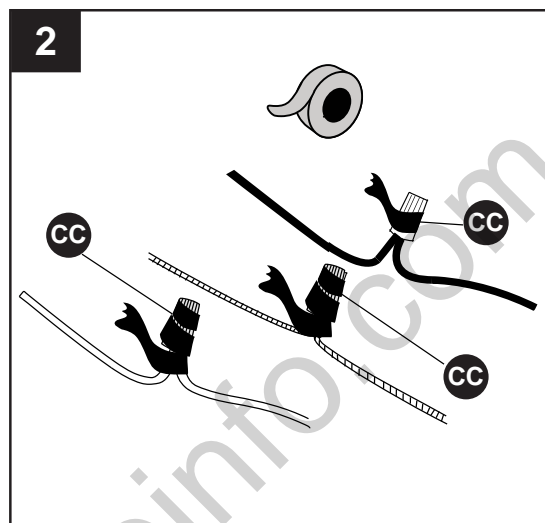
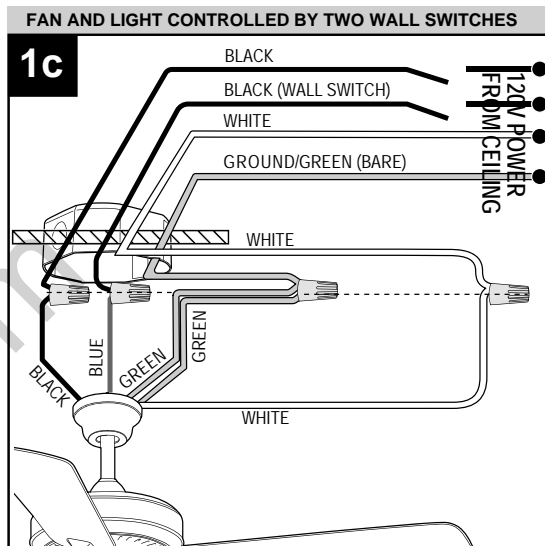


E3 Wire Connector



x 4

3. **IMPORTANT:** Using a full range dimmer switch (not included) to control fan speed will cause a loud humming noise from fan. To reduce the risk of fire or electrical shock, do NOT use a full range dimmer switch to control fan speed.



## FINAL INSTALLATION

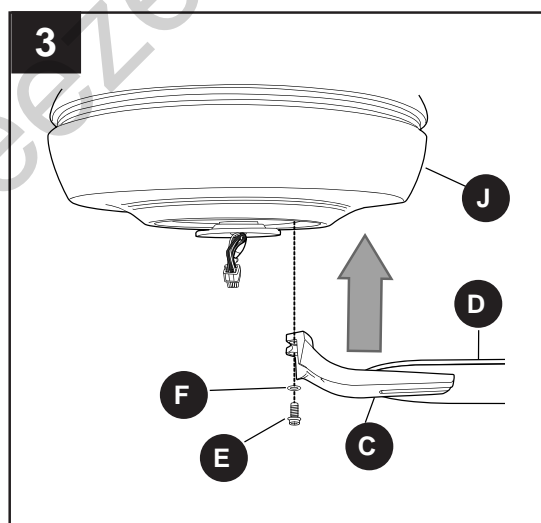
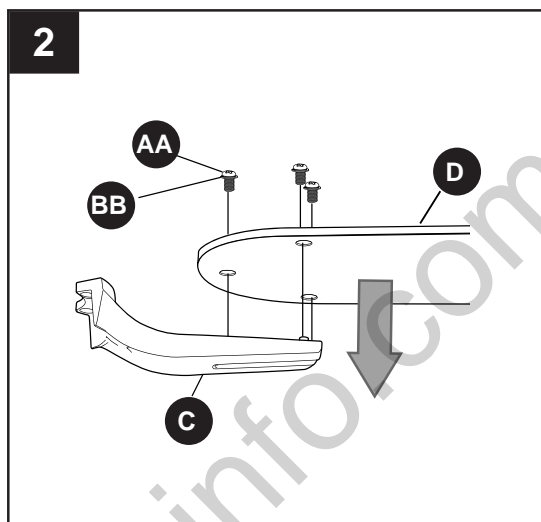
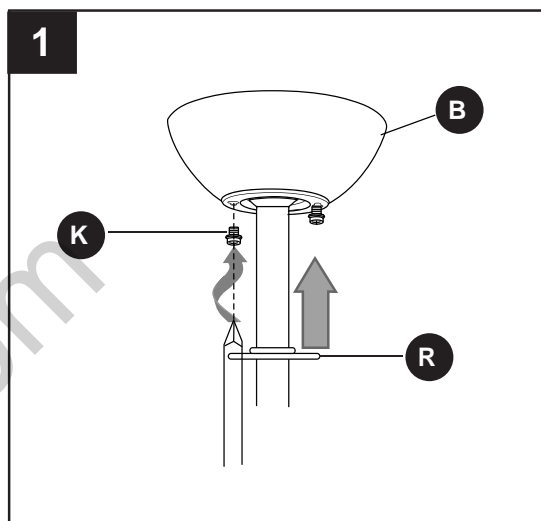
1. Locate two canopy mounting screws (K) on underside of mounting bracket (A) and remove canopy mounting screw (K) closest to the open end of the mounting bracket (A). Partially loosen the other canopy mounting screw (K). Lift canopy (B) to mounting bracket (A). Place rounded part of slotted hole in canopy (B) over loosened canopy mounting screw (K) in mounting bracket (A) and push up. Twist canopy (B) to lock. Re-insert canopy mounting screw (K) that was removed, and then tighten both canopy mounting screws (K). Slide canopy cover (R) up to canopy (B), aligning rounded part of slotted holes in canopy cover (R) with screwheads in bottom of canopy (B). Turn canopy cover (R) to the right (clockwise) until it stops.
2. Partially insert three blade screws (AA) along with three fiber blade washers (BB) to attach one blade arm (C) to a blade (D). Then, tighten each blade screw (AA) starting with the one in the middle. Repeat with remaining blades (D).

### Hardware Used

<b>AA</b> Blade Screw		x15
<b>BB</b> Fiber Blade Washer		x15

3. Locate motor screws (E) and lock washers (F) removed in Step 5 on page 7.

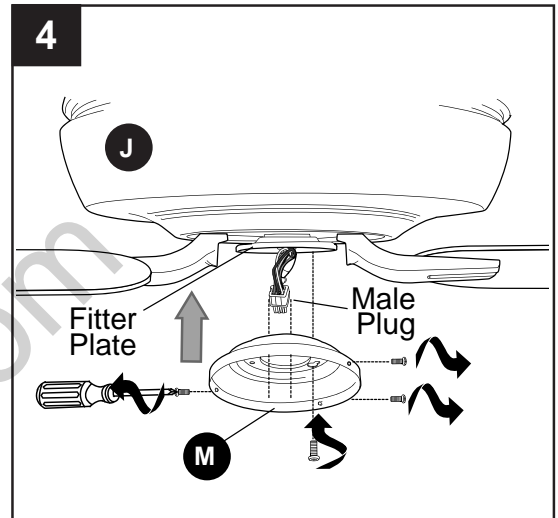
Insert two motor screws (E) along with lock washers (F) through one blade arm (C) to attach blade arm (C) to motor. Tighten motor screws (E) securely. Repeat with remaining blade arms (C), making sure to completely secure each blade arm (C) before proceeding with the next.



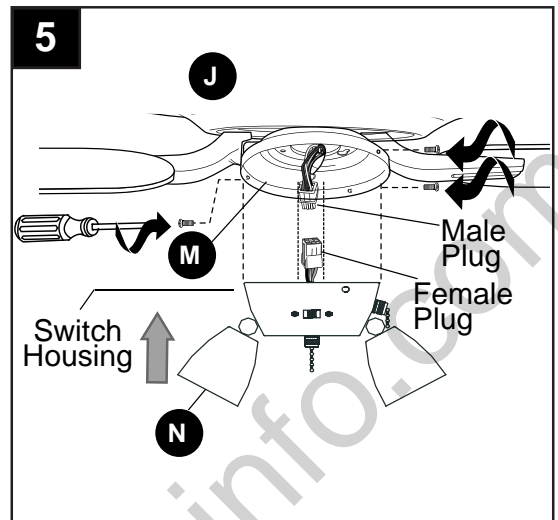
## FINAL INSTALLATION

4. Remove three screws from outer edge of switch housing plate (M).

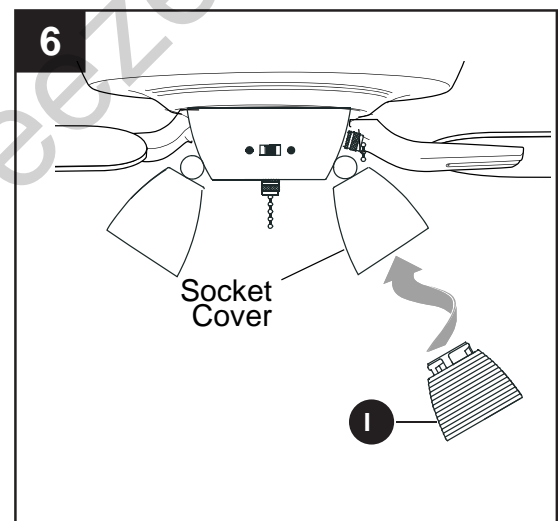
Partially loosen two screws in fitter plate on underside of motor housing (J) and remove the other screw. Align slotted holes in switch housing plate (M) with loosened screws on fitter plate, allowing male plug from motor housing (J) to come through hole in switch housing plate (M). Twist switch housing plate (M) to lock. Re-insert the screw that was removed and securely tighten all three screws.



5. Connect male plug from motor housing (J) to female plug from light kit fitter (N), matching up the colors on the male plug with the colors on the female plug for correct fit. Make sure plugs are connected completely. Align holes in switch housing at top of light kit fitter (N) with holes in switch housing plate (M). Secure light kit fitter (N) with three screws previously removed. Tighten all screws securely.



6. Align dimples on socket cover with grooves in glass shade (I). Turn glass shade (I) clockwise to secure. Repeat with the other glass shades (I).

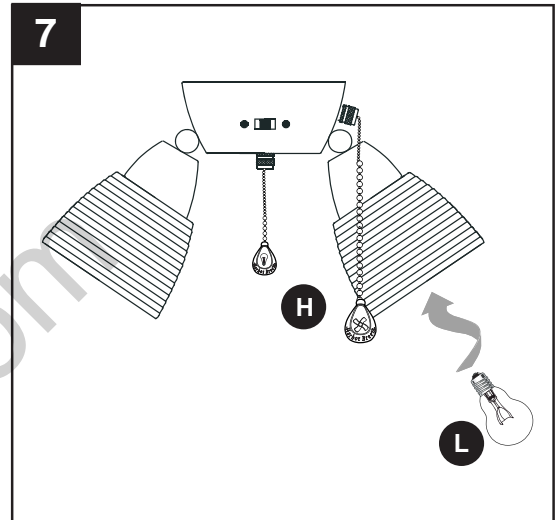


## FINAL INSTALLATION

7. Install bulbs (L).

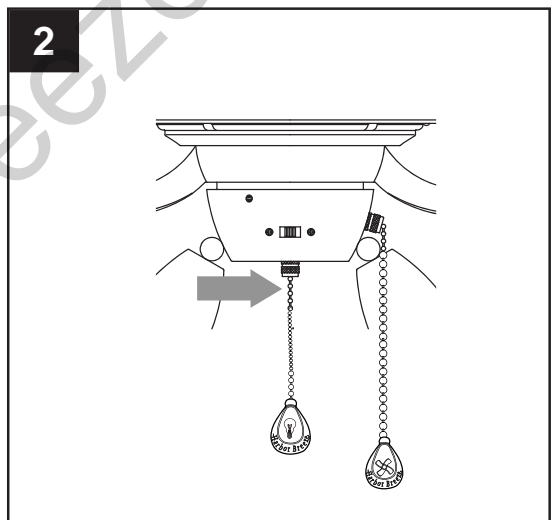
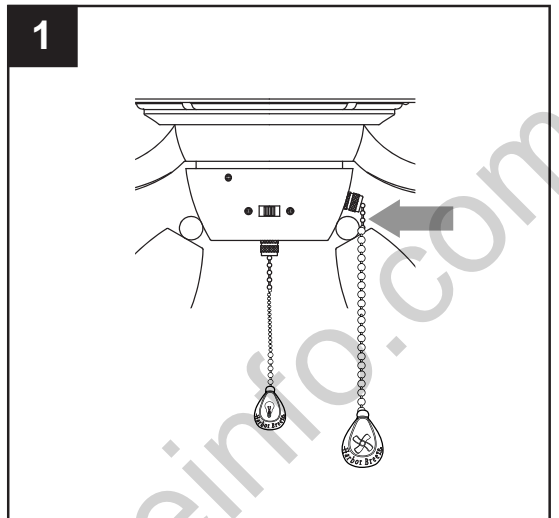
**Important:** When replacing bulbs, allow bulb(s) and light kit to cool before touching them.

Attach applicable pull chain extensions (H) or custom pull chain extensions (not included) to the fan and light pull chains.



## OPERATING INSTRUCTIONS

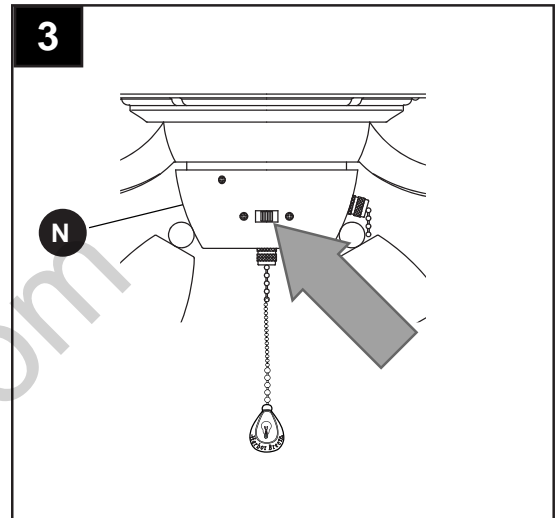
1. The pull chain labeled SPEED has four positions to control fan speed. One pull is HIGH, two is MEDIUM, three is LOW and four turns the fan OFF.
2. The pull chain labeled LIGHT is used to turn the lights ON or OFF.



## OPERATING INSTRUCTIONS

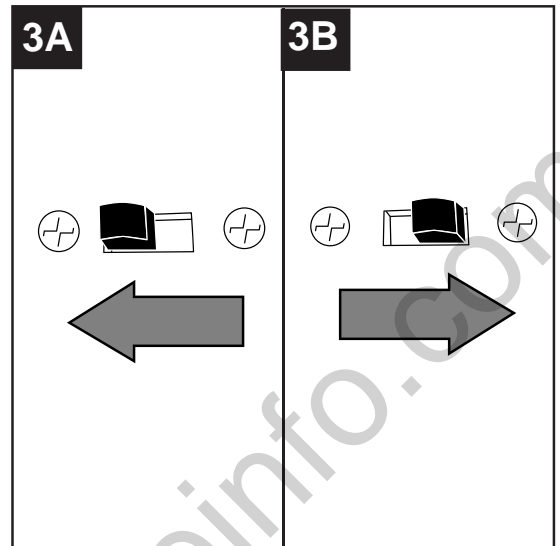
- Use the fan reverse switch, located on the light kit fitter (N), to optimize your fan for seasonal performance. A ceiling fan will allow you to raise your thermostat setting in summer and lower your thermostat setting in winter without feeling a difference in your comfort.

**NOTE:** Wait for fan to stop before moving the reverse switch.

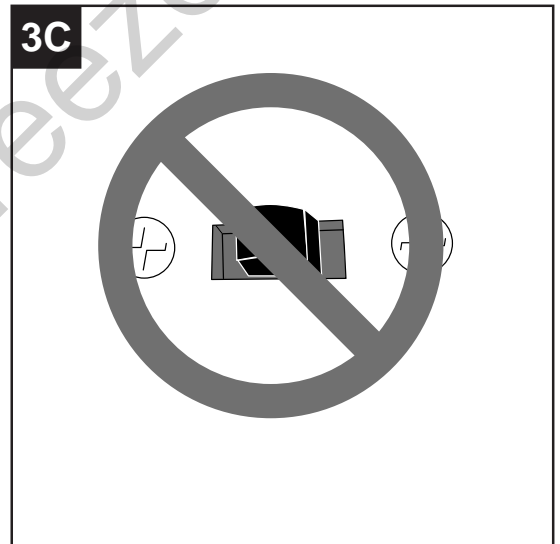


3A. In **warmer** weather, setting the reverse switch in the **LEFT** position will result in downward airflow creating a wind chill effect.

3B. In **cooler** weather, setting the reverse switch in the **RIGHT** position will result in upward airflow that can help move stagnant, hot air off the ceiling area.



3C. **IMPORTANT:** Reverse switch must be set either **completely LEFT** or **completely RIGHT** for fan to function. If the reverse switch is set in the middle position, fan will not operate.



## CARE AND MAINTENANCE

At least twice each year, lower canopy (B) to check mounting bracket (A), and then tighten all screws on fan. Clean fan with only a soft brush or lint-free cloth to avoid scratching the finish. Clean blades (D) with a lint-free cloth. You may occasionally apply a light coat of furniture polish to wood blades for added protection.

**IMPORTANT:** Shut off main power supply before beginning any maintenance. Do not use water or a damp cloth to clean the ceiling fan.

Bulb Replacement: Use 40-watt max. candelabra-base bulbs or 11-watt CFL bulbs.

## TROUBLESHOOTING

**! WARNING:** Before beginning work, shut off the power supply to avoid electrical shock.

PROBLEM	POSSIBLE CAUSE	CORRECTIVE ACTION
Fan does not move.	<ol style="list-style-type: none"> <li>Reverse switch not engaged.</li> <li>Power is off or fuse is blown.</li> <li>Faulty wire connection.</li> </ol>	<ol style="list-style-type: none"> <li>Push switch firmly either left or right.</li> <li>Turn power on or check fuse.</li> <li>Turn power off. Loosen canopy and check all connections.</li> </ol>
Noisy operation.	<ol style="list-style-type: none"> <li>Blades are loose.</li> <li>Cracked blade.</li> <li>Full range dimmer switch.</li> <li>Fan is new.</li> </ol>	<ol style="list-style-type: none"> <li>Tighten all blade screws.</li> <li>Replace blade.</li> <li>Replace with an approved speed control device.</li> <li>Allow fan a "break in" period of a few days, especially when running the fan at Medium and High speeds.</li> </ol>
Excessive wobbling.	<ol style="list-style-type: none"> <li>Blades are loose.</li> <li>Blade arms incorrectly attached.</li> <li>Fan not securely mounted.</li> <li>Fan too close to vaulted ceiling.</li> <li>Set screw(s) on motor housing yoke is (are) not tightened properly.</li> <li>Set screw on hanging ball is not tightened properly.</li> </ol>	<ol style="list-style-type: none"> <li>Tighten all blade screws.</li> <li>Re-install blade arms.</li> <li>Turn power off. Carefully loosen canopy and verify that mounting bracket is secure.</li> <li>Use a longer downrod or move fan to another location.</li> <li>Tighten yoke set screw(s) securely.</li> <li>Carefully loosen and lower canopy and verify that set screw on hanging ball is tightened securely.</li> </ol>
Fan operates but lights fails.	<ol style="list-style-type: none"> <li>Bulb(s) not installed correctly.</li> <li>Wires in outlet box not wired properly.</li> <li>Wall switch to fan is off.</li> </ol>	<ol style="list-style-type: none"> <li>Re-install bulb(s).</li> <li>Check wires in outlet box and, if necessary, re-wire according to instructions on pages 10 and 11.</li> <li>Make sure that wall switch to fan is on.</li> </ol>



## TROUBLESHOOTING

PROBLEM	POSSIBLE CAUSE	CORRECTIVE ACTION
	4. Light kit is lamped with more than the allowable 190W, causing the wattage limiting device to interrupt the flow of electricity to the light kit.	4. Lamp light kit with bulbs that total no more than 190W.

**NOTE:** A small amount of "wobble" is normal and should not be considered a defect.

## LIMITED LIFETIME WARRANTY

The distributor warrants this fan to be free from defects in workmanship and materials present at time of shipment from the factory for Lifetime limited from the date of purchase. This warranty applies only to the original purchaser. The distributor agrees to correct any defect at no charge or, at our option, replace the ceiling fan with a comparable or superior model.

To obtain warranty service, present a copy of your sales receipt as proof of purchase. All cost of removal and reinstallation are the express responsibility of the purchaser. Any damage to the ceiling fan by accident, misuse or improper installation, or by using parts not produced by the manufacturer of this fan or affixing accessories not produced by the manufacturer of this fan, are the purchaser's own responsibility. The distributor assumes no responsibility whatsoever for fan installation during the limited lifetime warranty. Any service performed by an unauthorized person will render the warranty invalid.

Due to varying climatic conditions, this warranty does not cover changes in brass finish, rusting, pitting, tarnishing, corroding or peeling. Brass finish fans maintain their beauty when protected from varying weather conditions. Any glass provided with this fan is not covered by the warranty.

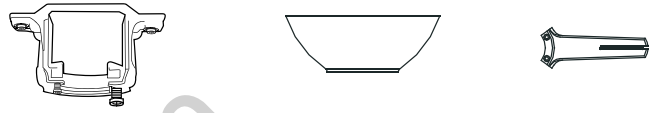
Any replacement of defective parts for the ceiling fan must be reported within the first year from the date of purchase. For the balance of the warranty, call our customer service department (at **1-800-643-0067**) for return authorization and shipping instructions so that we may repair or replace the ceiling fan. Any fan or parts returned improperly packaged is/are the sole responsibility of the purchaser. There is no further express warranty. The distributor disclaims any and all implied warranties. The duration of any implied warranty which cannot be disclaimed is limited to the limited lifetime period as specified in our warranty. The distributor shall not be liable for incidental, consequential or special damages arising at or in connection with product use or performance except as may otherwise be accorded by law. This warranty gives you specific legal rights and you may also have other rights which vary from state to state. This warranty supersedes all prior warranties.



## REPLACEMENT PARTS LIST

For replacement parts, call our customer service department at **1-800-643-0067**, 8 a.m. - 6 p.m., EST, Monday - Thursday, 8 a.m. - 5 p.m., EST, Friday.

PART	DESCRIPTION	PARTS #
A	Mounting Bracket	125453-A
B	Canopy	125453-B
C	Blade Arm	125453-C
D	Blade	125453-D
E	Motor Screw	125453-E
F	Lock Washer	125453-F
G	Yoke Cover	125453-G
H	Pull Chain Extension	125453-H
I	Glass Shade	125453-I
K	Canopy Mounting Screw	125453-K
M	Switch Housing Plate	125453-M
N	Light Kit Fitter	125453-N
O	Downrod	125453-O
P	Pin	125453-P
Q	Clip	125453-Q
R	Canopy Cover	125453-R
AA	Blade Screw	125453-AA
BB	Blade Washer	125453-BB
CC	E3 Wire Connector	125453-CC

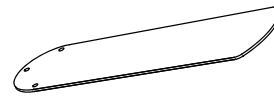


A

B

C

D



E



F



G



H



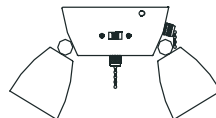
I



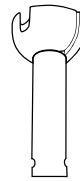
K



M



N



O



P



Q



R



AA



BB



CC

Printed in China

Harbor Breeze® is a registered trademark of LF, LLC. All Rights Reserved.



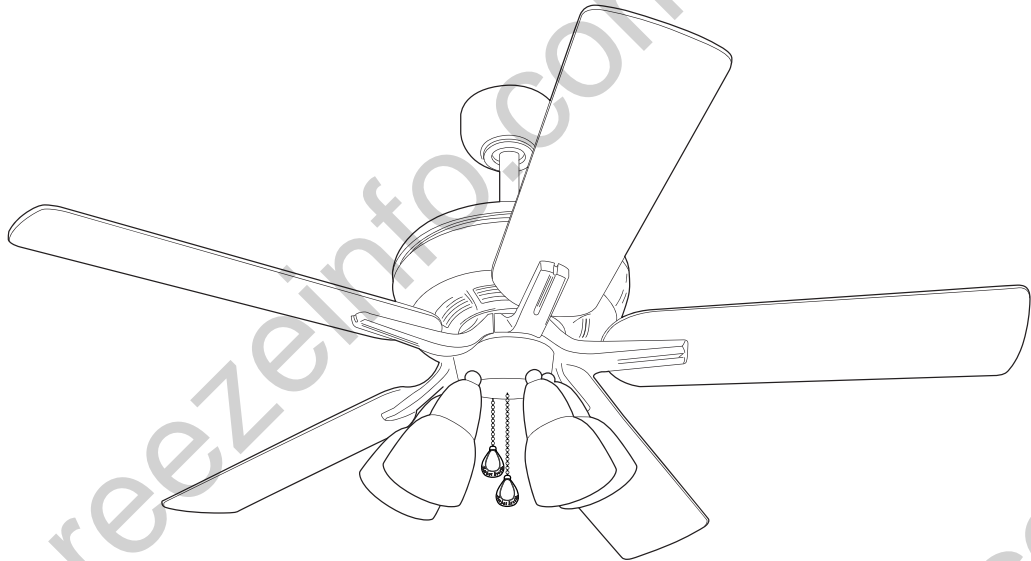


ARTÍCULO # 0125453  
0125500

# VENTILADOR DE TECHO TIEMPO

MODELO # E-TM52BNK5CS  
E-TM52BNKB5CS

Harbor Breeze® is a registered trademark  
of LF, LLC. All Rights Reserved.



Los reglamentos federales requieren que los ventiladores de techo con kit de iluminación fabricados o importados después del 1.º de enero de 2009, tengan un límite de vataje total consumido por el kit de iluminación de 190 W. Por lo tanto, este ventilador está equipado con un dispositivo de control de vataje.



## ADJUNTE SU RECIBO AQUÍ

Número de serie \_\_\_\_\_ Fecha de compra \_\_\_\_\_



**¿Preguntas, problemas, piezas faltantes?** Antes de volver a la tienda, llame a nuestro Departamento de Servicio al Cliente al **1-800-643-0067**, de lunes a jueves de 8 a.m. a 6 p.m., y los viernes de 8 a.m. a 5 p.m., hora estándar del Este.



Lowes.com/harborbreeze

## ÍNDICE

---

Información de seguridad .....	20
Contenido del paquete .....	22
Aditamentos .....	23
Preparación .....	23
Instalación inicial .....	24
Montaje del ventilador .....	25
Cableado .....	28
Instalación final .....	30
Instrucciones de funcionamiento .....	32
Cuidado y mantenimiento .....	34
Solución de problemas.....	34
Garantía limitada de por vida .....	35
Lista de piezas de repuesto .....	36



### INFORMACIÓN DE SEGURIDAD

---

#### LEA Y GUARDE ESTAS INSTRUCCIONES

Lea y comprenda completamente este manual antes de intentar ensamblar, instalar o usar el producto.

- No deseche la caja del ventilador ni los accesorios de espuma. En caso de que deba devolverse este ventilador a la fábrica para realizarle reparaciones, debe ser enviado en su empaque original para asegurar una protección adecuada contra daños que puedan aumentar la causa inicial de la devolución.
- Asegúrese de que todas las conexiones eléctricas cumplan con los códigos y ordenanzas locales, el Código Eléctrico Nacional la norma ANSI/NFPA 70-1999. Si no está familiarizado con la instalación del cableado eléctrico, contrate a un electricista calificado o consulte un manual de cableado para hacerlo usted mismo.
- Asegúrese de que el sitio de instalación que elija permita establecer una distancia mínima de 2,13 m (7 pies) desde las aspas hasta el piso y que los extremos de las aspas estén, como mínimo, a 76,2 cm (30 pulg) de cualquier obstáculo.
- Una vez instalado el ventilador, asegúrese de que todas las conexiones sean seguras a fin de evitar que se caiga.
- El peso neto de este ventilador, incluido el kit de iluminación, es: 11,09 kg (24.45 lb).



## **ADVERTENCIA**



Para reducir el riesgo de incendio, descargas eléctricas o lesiones personales, monte el ventilador en una caja de salida marcada como "ACCEPTABLE FOR FAN SUPPORT OF 35 LBS. (15.9 KG) OR LESS" (APTA PARA SOSTENER VENTILADORES DE 15,88 KG (35 LBS) O MENOS) y utilice los tornillos de montaje que se proporcionan con la caja de salida. La mayoría de las cajas de salida que se usan comúnmente para sostener lámparas no son aptas para sostener un ventilador y puede ser necesario reemplazarlas. Si tiene dudas, consulte a un electricista calificado.

Cuando monte el ventilador en una caja de salida del techo, use una caja de salida octogonal de METAL. Asegure la caja de salida directamente a la estructura del edificio. La caja de salida y su soporte deben ser capaces de sostener el peso del ventilador en movimiento (al menos 15,88 kg (35 lb)). NO use una caja de salida de plástico.

Para evitar lesiones personales, puede ser necesario usar guantes al manipular las piezas del ventilador con bordes filosos.

Para reducir el riesgo de incendios, descargas eléctricas o lesiones personales, los conectores de cables proporcionados con este ventilador están diseñados para soportar solo un cable de la casa de calibre 12 y dos cables conductores del ventilador. Si el conductor de la casa es de un calibre superior a 12 o hay más de un conductor de la casa para conectar a los cables conductores del ventilador correspondientes, consulte a un electricista cuál es el tamaño adecuado de los conectores de cables que debe utilizar.

**Para reducir el riesgo de incendios o descargas eléctricas, no use el ventilador con dispositivos de control de velocidad para ventiladores de estado sólido ni controle la velocidad del ventilador con un regulador de intensidad de rango completo.**

Para reducir el riesgo de incendio, descarga eléctrica o lesiones personales, no doble los brazos de las aspas al instalarlos, al equilibrar las aspas o al limpiar el ventilador. No inserte objetos entre las aspas en movimiento.

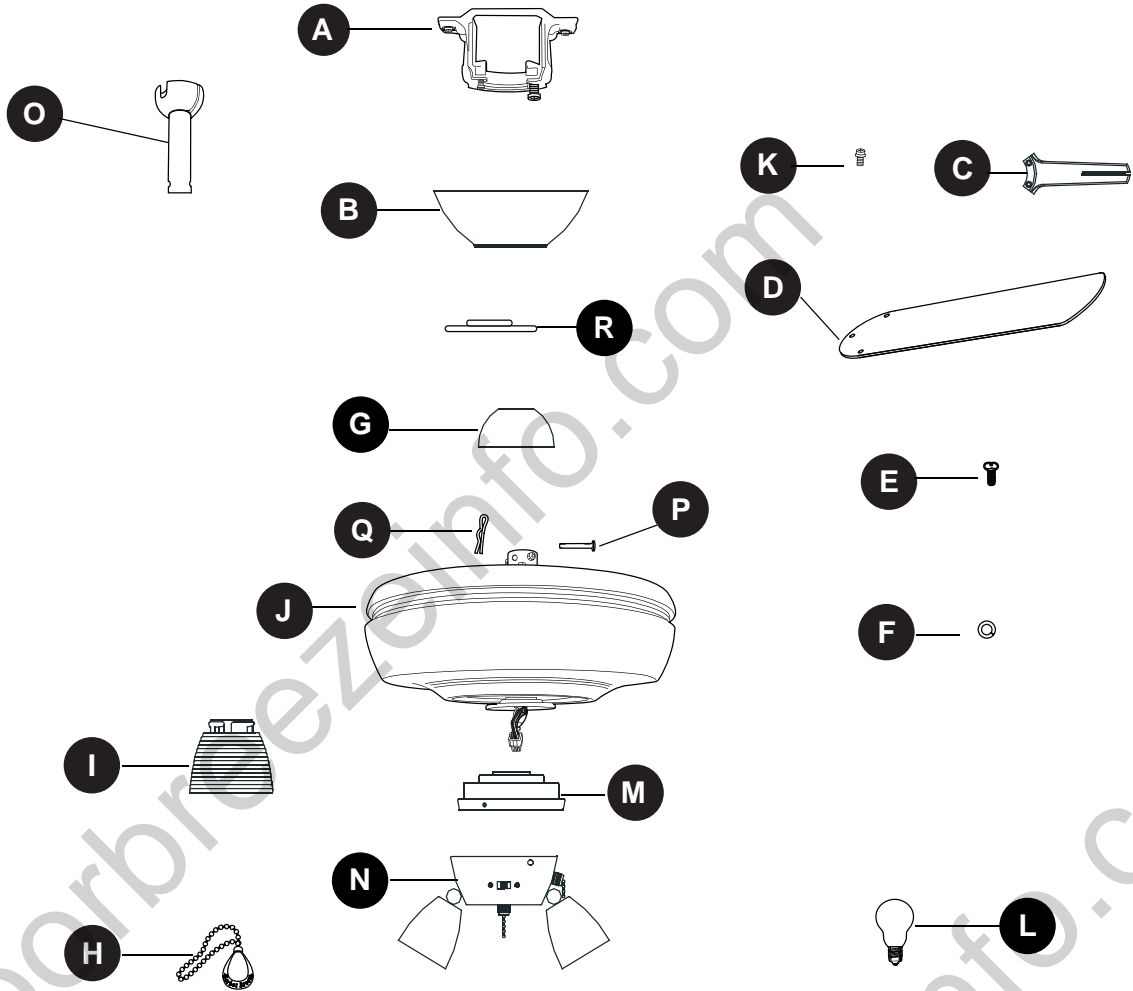
Para reducir el riesgo de lesiones personales, use **solo** las piezas que se proporcionan con este ventilador. **El uso de piezas *DISTINTAS* a aquellas que se incluyen con este ventilador anulará la garantía.**

## **PRECAUCIÓN**

Antes de proceder, asegúrese de cortar la alimentación eléctrica de la caja principal de fusibles o interruptor de circuito a fin de evitar descargas eléctricas.

Lea todas las instrucciones y la información de seguridad antes de instalar el nuevo ventilador. Revise los diagramas de ensamblaje adjuntos.

## CONTENIDO DEL PAQUETE



PIEZA	DESCRIPCIÓN	CANTIDAD
A	Soporte de montaje	1
B	Base	1
C	Brazo del aspa	5
D	Aspa	5
E	Tornillo del motor (preensamblado)	10 + 1 adicional
F	Arandela de seguridad (preensamblada)	10 + 1 adicional
G	Cubierta de la horquilla	1
H	Extensión para la cadena de tiro	2

PIEZA	DESCRIPCIÓN	CANTIDAD
I	Pantalla de vidrio	4
J	Carcasa del motor	1
K	Tornillo de montaje de la base (preensamblado)	4
L	Bombilla	4
M	Placa de la carcasa del interruptor	1
N	Soporte del kit de iluminación	1
O	Varilla	1
P	Pasador (preensamblado)	1
Q	Sujetador (preensamblado)	1
R	Cubierta de la base	1

**⚠ RECORDATORIO IMPORTANTE:** Debe utilizar las piezas que se incluyen con este ventilador para la instalación adecuada y por seguridad.

## ADITAMENTOS (se muestran en tamaño real)

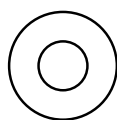
AA



Tornillo  
para aspa

Cant. 15  
+ 1 adicional

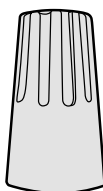
BB



Arandela  
de aspa

Cant. 15  
+ 1 adicional

CC



Conector de  
cables E3

Cant. 4

## PREPARACIÓN

Antes de comenzar a ensamblar el producto, asegúrese de tener todas las piezas. Compare las piezas con la lista del contenido del paquete y la lista de aditamentos. No intente ensamblar el producto si falta alguna pieza o si estas están dañadas.

**Tiempo estimado de ensamblaje: 120 minutos**

Herramientas necesarias para el ensamblaje (no se incluyen): Cinta aislante, destornillador Phillips, pinzas, gafas de seguridad, escalera de tijera y pinzas pelacables.

Herramientas útiles (no se incluyen): Luz de prueba CA, cinta métrica, manual de cableado hágalo usted mismo y pinzas cortacables.

**⚠ PELIGRO:** Si utiliza una caja de salida existente, asegúrese de que esté bien sujeta a la estructura del edificio y que pueda sostener el peso del ventilador. El incumplimiento de dicho paso podría provocar lesiones graves o la muerte. La estabilidad de la caja de salida es fundamental para minimizar el tambaleo y el ruido en el ventilador una vez que la instalación esté completa.

**⚠ PRECAUCIÓN:** Asegúrese de que la caja de salida tenga la debida puesta a tierra y de que haya un conductor (verde o desnudo) de puesta a tierra.

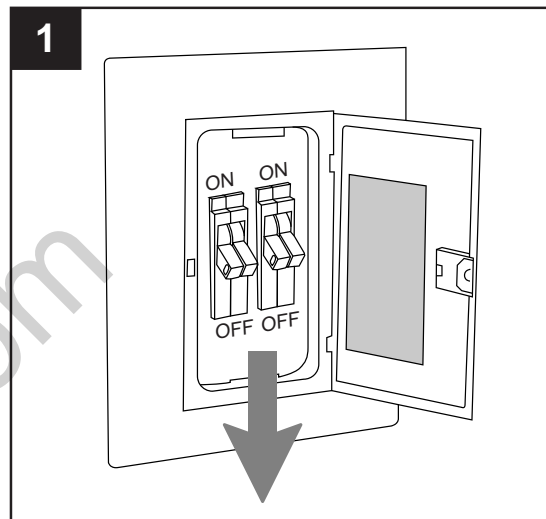
Después de abrir la parte superior de la caja, retire el paquete de aditamentos para montaje de los accesorios de espuma. Retire el motor del empaque y ubíquelo sobre una alfombra o espuma para evitar dañar el acabado.

**⚠ PRECAUCIÓN:** Revise cuidadosamente todos los tornillos, tuercas y pernos del ensamble del motor del ventilador para comprobar que estén seguros.

## INSTALACIÓN INICIAL

1. Interrumpa el suministro de energía del ventilador apagando los interruptores de circuito y el interruptor de pared.

**⚠ PELIGRO:** Si no desconecta el suministro de electricidad antes de la instalación, pueden producirse lesiones graves o la muerte.



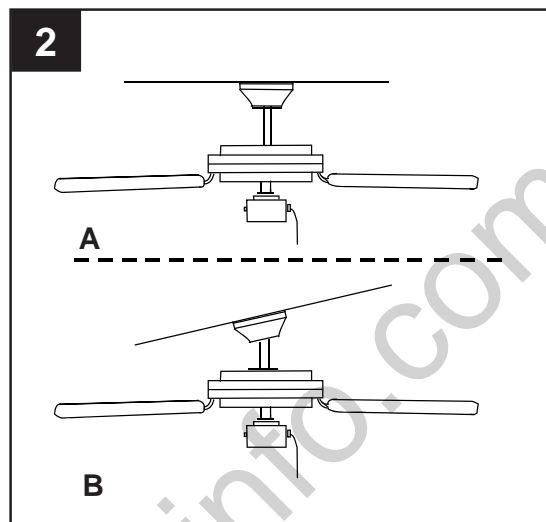
2. Determine el método de instalación que utilizará.

**A.** Montaje estándar

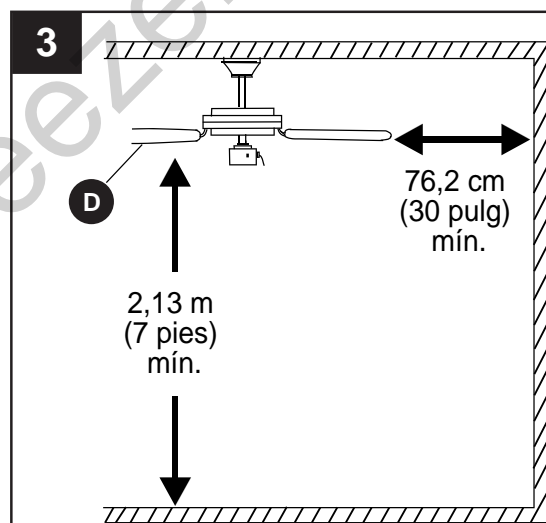
**B.** Montaje en ángulo

**IMPORTANTE:** Si realiza el montaje en ángulo, verifique que el ángulo del techo no tenga una inclinación superior a los 19°.

**\*Consejo útil:** El montaje de varilla es mejor para los techos de 2,44 m (8 pies) de alto o más altos. Para techos más altos, se recomienda utilizar una varilla más larga (no incluida). El montaje en ángulo es mejor para los techos en ángulo o de bóveda. En ocasiones, es necesaria una varilla más larga para asegurar una adecuada separación de las aspas.



3. Compruebe que las aspas (D) estén al menos a 76,2 cm (30 pulg) de cualquier obstáculo y al menos a 2,13 m (7 pies) sobre el piso.

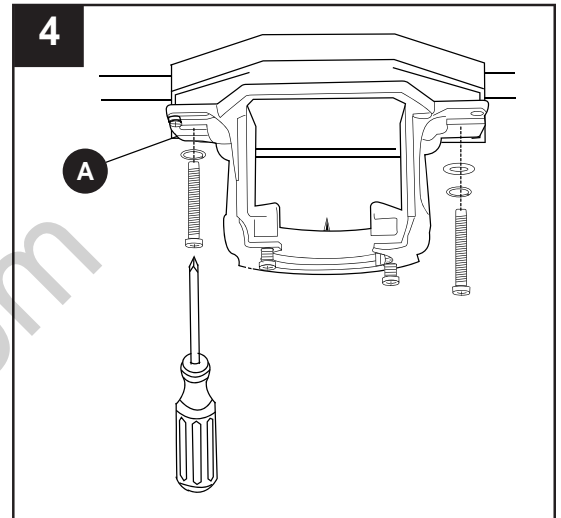




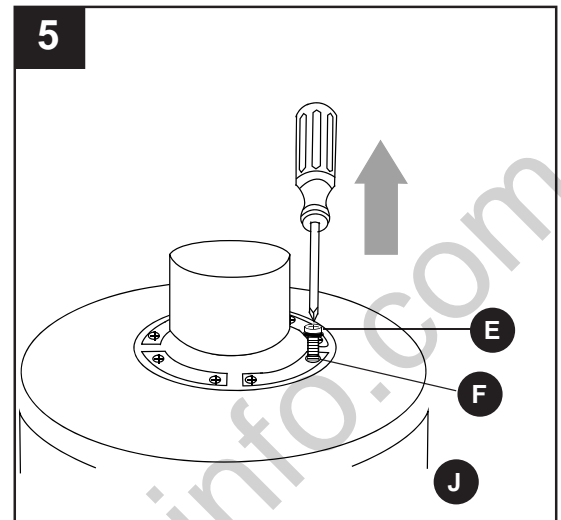
## INSTALACIÓN INICIAL

- Asegure el soporte de montaje (A) a la caja de salida (no se incluye) con los tornillos, las arandelas de resorte y las arandelas planas que se incluyen en la caja de salida.  
**\*NOTA:** Es primordial que use los aditamentos adecuados para instalar el soporte de montaje (A) ya que este soporta el ventilador.

**IMPORTANTE:** Si realiza el montaje en ángulo, asegúrese de que el extremo abierto del soporte de montaje (A) esté instalado en dirección hacia el punto más alto del techo.

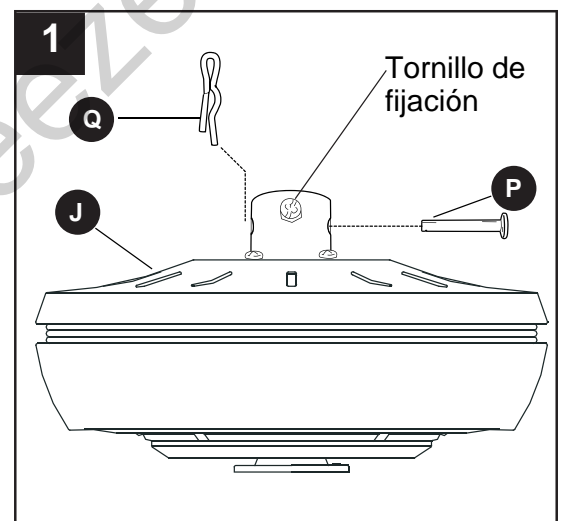


- Retire los tornillos del motor (E) y las arandelas de seguridad (F) desde la parte inferior de la carcasa del motor (J). Guarde los tornillos del motor (E) y las arandelas de seguridad (F) para fijar el brazo del aspa (C) más adelante.



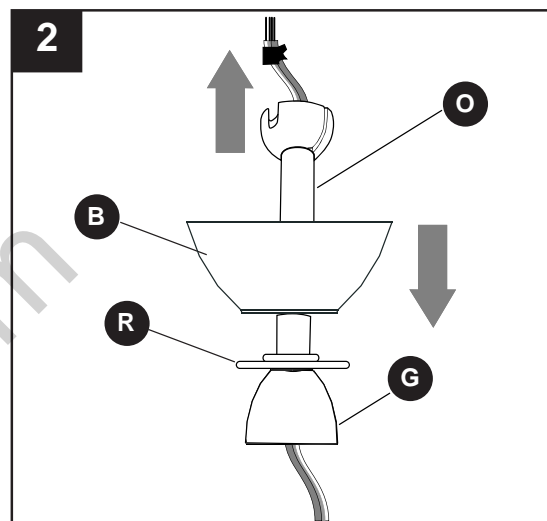
## MONTAJE DEL VENTILADOR

- Retire el pasador (P) y el sujetador (Q) de la horquilla de la carcasa del motor de la parte superior de la carcasa del motor (J) y afloje parcialmente los tornillos de fijación preensamblados.

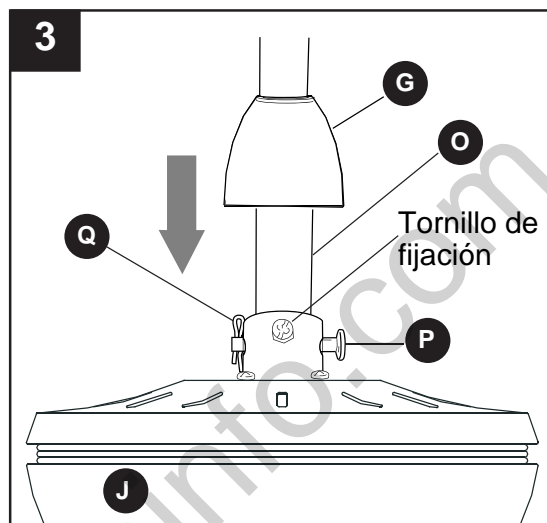


## MONTAJE DEL VENTILADOR

2. Inserte la varilla (O) por la base (B), la cubierta de la base (R) y la cubierta de la horquilla (G).  
[NOTA: La cubierta de la base (R) debe girarse con el lado brillante apuntando *hacia* la carcasa del motor (J)]. Pase los conductores desde la carcasa del motor (J) a través de la varilla (O).



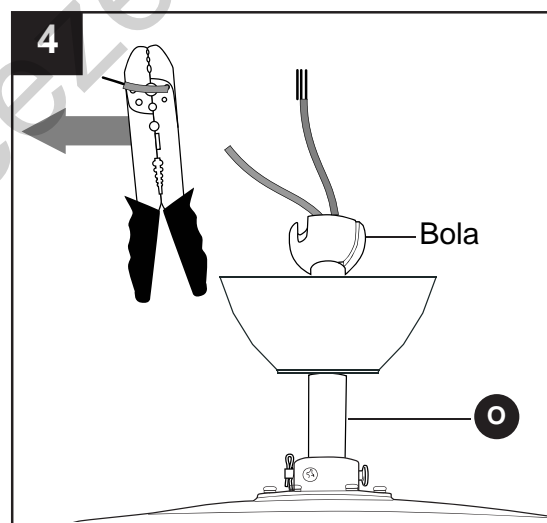
3. Deslice la varilla (O) en la horquilla de la carcasa del motor, alinee los orificios y vuelva a instalar el pasador (P) y el sujetador (Q). Apriete los tornillos de fijación en la horquilla de la carcasa del motor y apriete las tuercas preensambladas en los tornillos de fijación. Deslice la cubierta de la horquilla (G) hacia abajo hasta que quede sobre la carcasa del motor (J).



4. Según el largo de la varilla que utilice, es posible que necesite cortar los cables conductores para simplificar el cableado. Si decide cortar los cables conductores, se sugiere hacerlo de la siguiente manera:

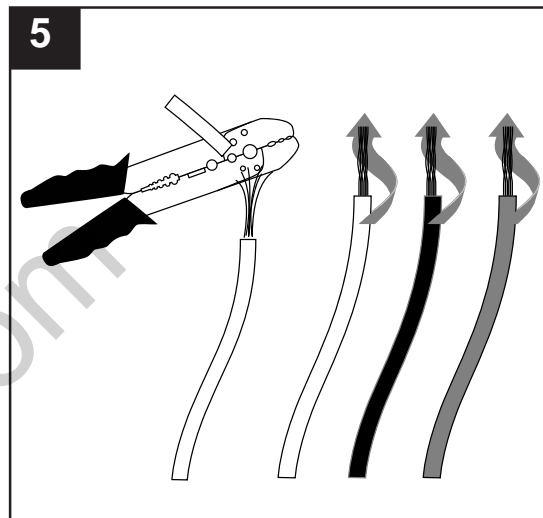
Sujete los cables conductores y asegúrese de jalarlos completamente a través de la parte superior de la varilla. Comience en la parte SUPERIOR de la bola en la varilla y mida 20,32 cm (8 pulg) de cable conductor y corte el exceso de cable con las pinzas cortacables (no se incluyen).

**NOTA:** Si no cortó los cables conductores, los **Pasos 4 y 5 no son necesarios y puede proceder con el Paso 6 en su lugar.**



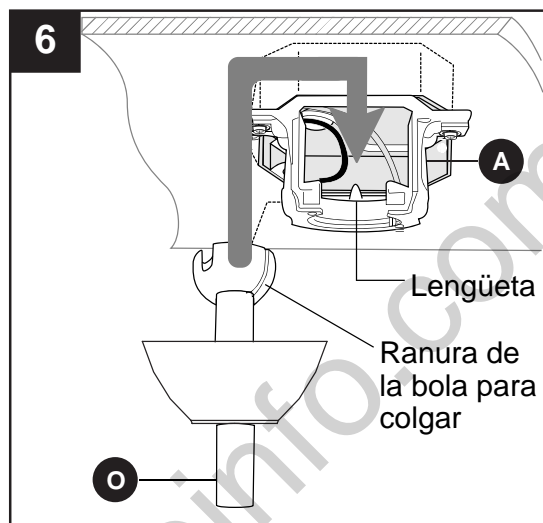
## MONTAJE DEL VENTILADOR

- Si decidió cortar los cables conductores en el Paso 4, pele 12,70 mm (1/2") del aislamiento en el extremo del conductor blanco. Tuerza los extremos pelados de cada filamento de conductor dentro del aislamiento con pinzas (no se incluyen). Repita el paso 5 para los conductores negro, azul (si corresponde) y verde.



- Instale el extremo con la bola de la varilla (O) en la abertura del soporte de montaje (A). Alinee la ranura de la bola con la lengüeta en el soporte de montaje (A).

**⚠ PELIGRO:** Si no alinea la ranura de la bola con la lengüeta, pueden producirse lesiones graves o la muerte.





## CABLEADO

**1c. VENTILADOR Y LUZ CONTROLADOS POR DOS INTERRUPTORES DE PARED:** Si desea controlar el ventilador y la luz con interruptores de pared separados, conecte el conductor NEGRO del ventilador al conductor NEGRO del interruptor de pared independiente para el ventilador. Conecte el conductor AZUL del ventilador al conductor NEGRO (o ROJO) del otro interruptor de pared para la luz. Conecte el conductor BLANCO del ventilador al conductor BLANCO del techo. Conecte y una el conductor VERDE del ventilador (en el soporte de montaje (A) y la varilla (O)) al conductor DESNUDO/VERDE del techo.

**NOTA:** El conductor NEGRO es el que proporciona alimentación al ventilador. El conductor AZUL es el que proporciona alimentación al kit de iluminación. El conductor BLANCO es el conductor común para el ventilador y el kit de iluminación. El conductor VERDE o DESNUDO es la puesta a tierra.

2. Cubra con cinta aislante (no se incluye) cada conector de cables (CC) individual hacia abajo del cable.

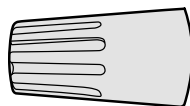
**⚠ ADVERTENCIA:** Asegúrese de que no haya conductores desnudos ni filamentos de conductores visibles después de hacer la conexión. Coloque las conexiones verdes y blancas en el lado opuesto de las conexiones negras y azules de la caja (si corresponde).

Gire los conductores empalmados o cubiertos con cinta hacia arriba y empuje suavemente los conductores y los conectores de cables (CC) hacia dentro de la caja de salida.

### Aditamentos utilizados

CC

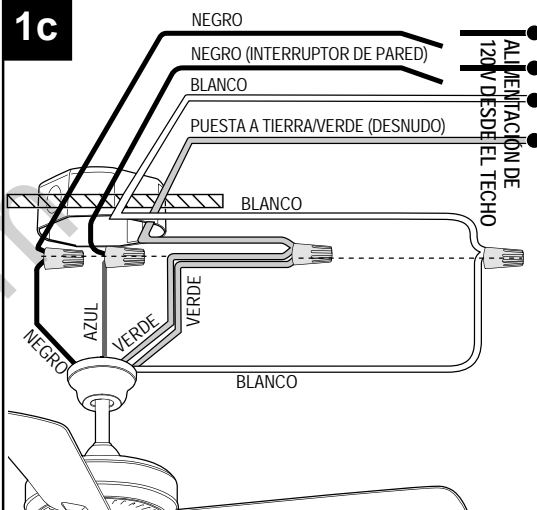
Conector de cables E3



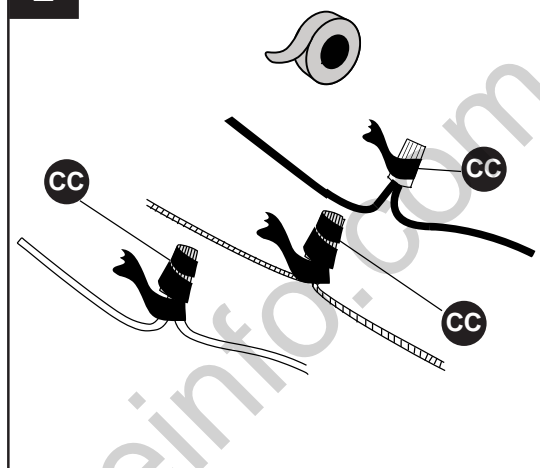
x 4

3. **IMPORTANTE:** El uso de un regulador de intensidad de rango completo (no se incluye) para controlar la velocidad del ventilador provocará un zumbido intenso del ventilador. Para reducir el riesgo de incendios o descargas eléctricas, NO use un regulador de intensidad de rango completo para controlar la velocidad del ventilador.

### VENTILADOR Y LUZ CONTROLADOS POR DOS INTERRUPTORES DE PARED



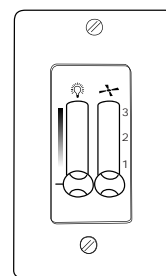
**2**



**3**



Regulador de intensidad



Interruptor de velocidad



**Solo con fines ilustrativos. No pretende cubrir todos los tipos de controles.**



## INSTALACIÓN FINAL

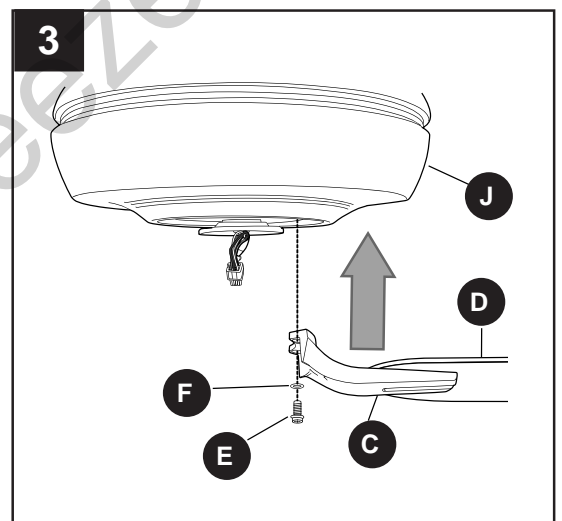
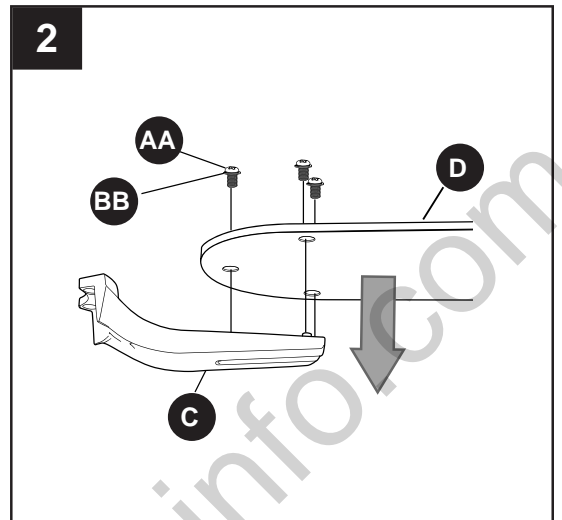
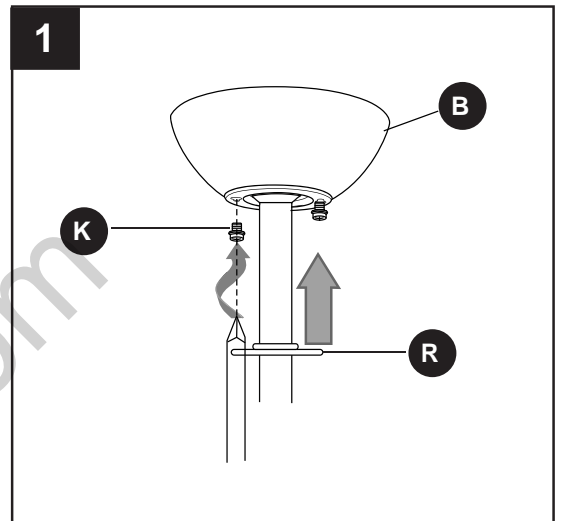
1. Ubique dos tornillos de montaje de la base (K) debajo del soporte de montaje (A) y retire el tornillo de montaje de la base (K) más cercano al extremo abierto del soporte de montaje (A). Afloje parcialmente el otro tornillo de montaje de la base (K). Levante la base (B) hasta el soporte de montaje (A). Coloque la parte redondeada del orificio ranurado de la base (B) sobre el tornillo de montaje de la base suelto (K) en el soporte de montaje (A) y empuje hacia arriba. Gire la base (B) para asegurarla. Vuelva a insertar el tornillo de montaje de la base (K) que se retiró y luego apriete ambos tornillos de montaje de la base (K). Deslice la cubierta de la base (R) hacia arriba hasta la base (B) alineando la parte redondeada de los orificios ranurados en la cubierta de la base (R) con las cabezas de los tornillos en la parte inferior de la base (B). Gire la cubierta de la base (R) hacia la derecha (en dirección de las manecillas del reloj) hasta que se detenga.
2. Inserte parcialmente tres tornillos para las aspas (AA) junto con tres arandelas de fibra para las aspas (BB) para fijar un brazo del aspa (C) a un aspa (D). Luego, apriete cada uno de los tornillos para las aspas (AA), comenzando por el que está en el centro. Repita el procedimiento con el resto de las aspas (D).

### Aditamentos utilizados

<b>AA</b>	Tornillo del aspa		x15
<b>BB</b>	Arandela del aspa de fibra		x15

3. Localice los tornillos del motor (E) y las arandelas de seguridad (F) que retiró en el Paso 5 en la página 25.

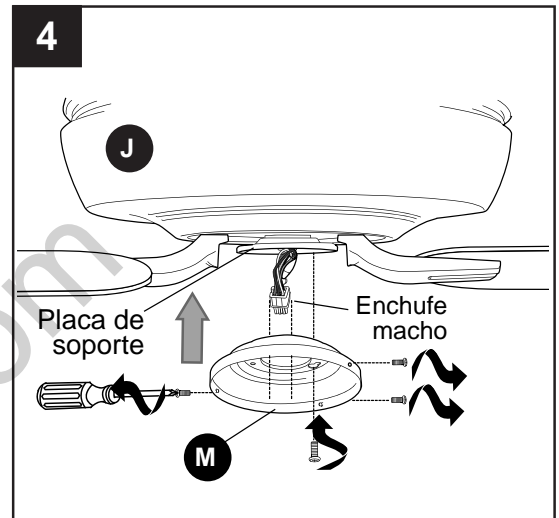
Inserte dos tornillos para el motor (E) junto con arandelas de seguridad (F) a través de un brazo para las aspas (C) para fijar el brazo del aspa (C) al motor. Apriete bien los tornillos del motor (E). Repita con los brazos de las aspas restantes (C), procurando asegurar completamente cada brazo de las aspas (C) antes de proceder con el siguiente.



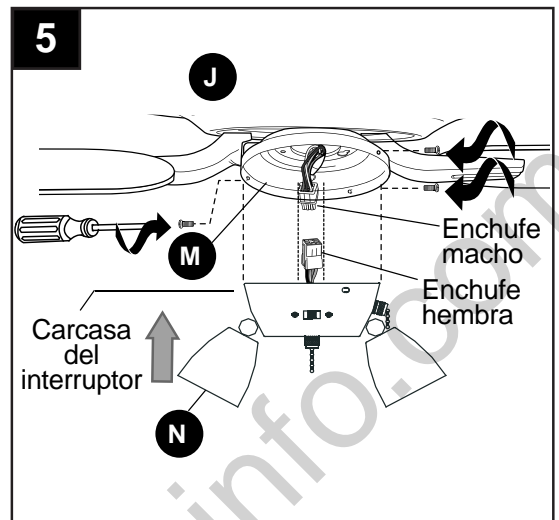
## INSTALACIÓN FINAL

4. Retire tres tornillos del extremo externo de la placa de la carcasa del interruptor (M).

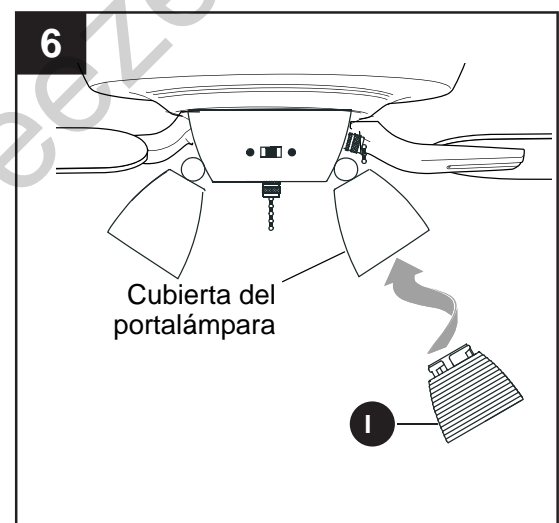
Suelte parcialmente dos tornillos de la placa de soporte en la parte inferior de la carcasa del motor (J) y retire el otro tornillo. Alinee los orificios ranurados en la placa de la carcasa del interruptor (M) con los tornillos aflojados en la placa de soporte, permitiendo que el enchufe macho de la carcasa del motor (J) pase a través del orificio en la placa de la carcasa del interruptor (M). Gire la placa de la carcasa del interruptor (M) para bloquearla. Vuelva a insertar el tornillo que retiró y apriete los tres tornillos por completo.



5. Conecte el enchufe macho de la carcasa del motor (J) en el enchufe hembra del soporte del kit de iluminación (N), haciendo combinar los colores del enchufe macho con los del enchufe hembra para un ajuste correcto. Asegúrese de que los enchufes estén conectados completamente. Alinee los orificios de la carcasa del interruptor en la parte superior del soporte del kit de iluminación (N) con los orificios de la placa de la carcasa del interruptor (M). Fije el soporte del kit de iluminación (N) con los tres tornillos que retiró anteriormente. Apriete todos los tornillos de forma segura.



6. Alinee las protuberancias de la cubierta del portalámparas con las ranuras en la pantalla de vidrio (I). Gire la pantalla de vidrio (I) en dirección de las manecillas del reloj para fijarlas. Repita el procedimiento con las otras pantallas de vidrio (I).

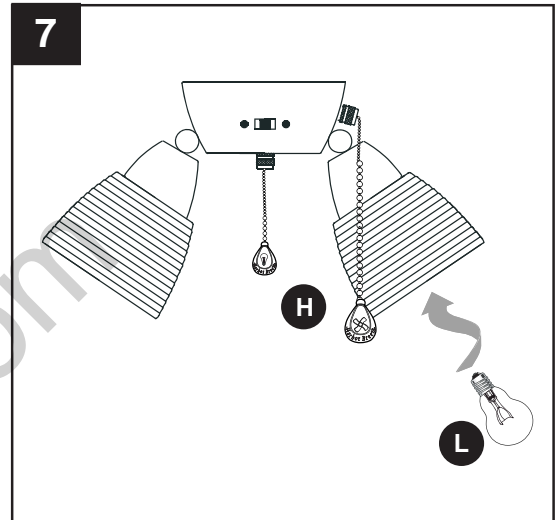


## INSTALACIÓN FINAL

7. Instale las bombillas (L).

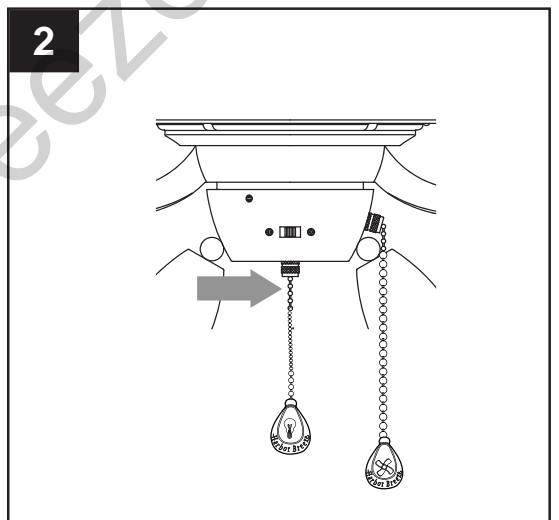
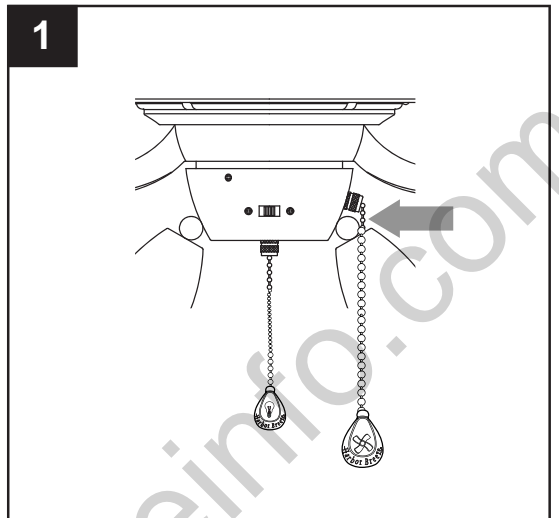
**Importante:** Cuando reemplace las bombillas, deje que estas y el kit de iluminación se enfríen antes de tocarlas.

Fije las extensiones para la cadena de tiro (H) aplicables o las extensiones para las cadenas de tiro personalizadas (no incluidas) a las cadenas de tiro del ventilador y la luz.



## INSTRUCCIONES DE FUNCIONAMIENTO

1. La cadena de tiro marcada como SPEED (VELOCIDAD) tiene cuatro posiciones para controlar la velocidad del ventilador. Jale una vez para la posición HIGH (ALTA); dos para la posición MEDIUM (MEDIA); tres para la posición LOW (BAJA); y cuatro para la posición OFF (APAGADO) que apaga el ventilador.
2. La cadena de tiro marcada como "LIGHT" (LUZ) se utiliza para ENCENDER o APAGAR las luces.

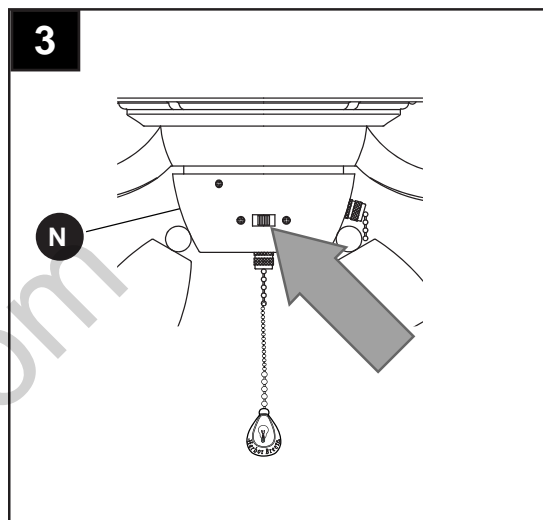




## INSTRUCCIONES DE FUNCIONAMIENTO

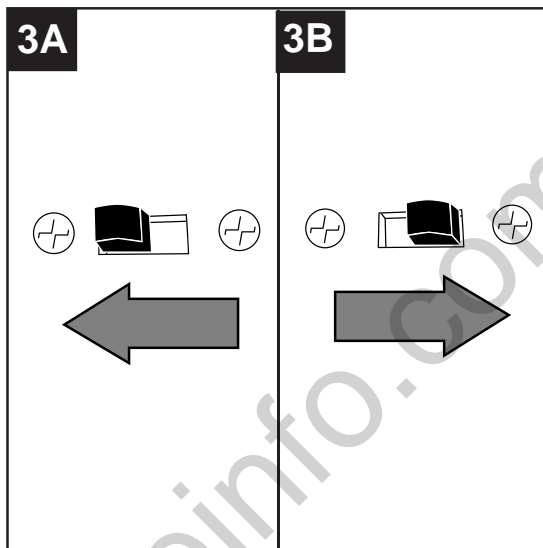
3. Utilice el interruptor de reversa del ventilador, ubicado en el soporte del kit de iluminación (N), para optimizar el rendimiento por temporada de su ventilador. Un ventilador de techo le permitirá elevar la configuración de su termostato en verano y disminuirla en invierno, sin sentir una diferencia en su comodidad.

**NOTA:** Espere a que el ventilador se detenga antes de mover el interruptor de reversa.

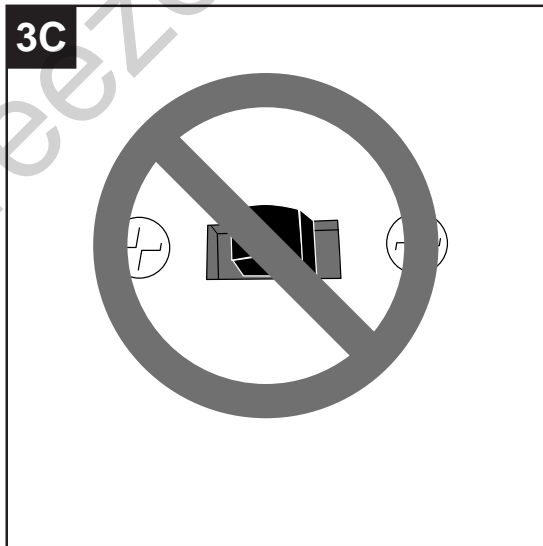


3A. En climas más **cálidos**, la configuración del interruptor de reversa en la posición LEFT (HACIA ABAJO) creará un flujo de aire descendente que generará un efecto de viento refrescante.

3B. En climas más **fríos**, la configuración del interruptor de reversa en la posición a la DERECHA creará un flujo de aire ascendente que puede ayudar a mover el aire caliente estancado fuera del área del techo.



3C. **IMPORTANTE:** El interruptor de reversa de debe configurar **completamente** a la IZQUIERDA o **completamente** a la DERECHA para que funcione el ventilador. Si el interruptor de reversa se configura en la posición del medio, el ventilador no funcionará.



## CUIDADO Y MANTENIMIENTO

Al menos dos veces al año, baje la base (B) para revisar el soporte de montaje (A) y luego apriete todos los tornillos en el ventilador. Limpie el ventilador solo con un cepillo suave o un paño sin pelusas para evitar rayar el acabado. Limpie las aspas (D) con un paño que no produzca pelusas. De vez en cuando puede aplicar una fina capa de pulidor para muebles en las aspas de madera para darles más protección.

**IMPORTANTE:** Antes de realizar cualquier trabajo de mantenimiento, desconecte el suministro de electricidad. No utilice agua ni un paño húmedo para limpiar el ventilador de techo.

Reemplazo de las bombillas: Use solo bombillas de un máximo de 40 vatios de base candelabro o bombillas CFL de 11 vatios como máximo.

## SOLUCIÓN DE PROBLEMAS

**⚠ ADVERTENCIA:** Antes de comenzar cualquier trabajo, desconecte el suministro de electricidad para evitar descargas eléctricas.

PROBLEMA	CAUSA POSIBLE	ACCIÓN CORRECTIVA
El ventilador no se mueve.	<ol style="list-style-type: none"> <li>1. El interruptor de reversa no está activado.</li> <li>2. No hay alimentación eléctrica o hay un fusible quemado.</li> <li>3. La conexión de los cables es incorrecta.</li> </ol>	<ol style="list-style-type: none"> <li>1. Mueva firmemente el interruptor hacia la izquierda o hacia la derecha.</li> <li>2. Conecte la alimentación eléctrica o revise el fusible.</li> <li>3. Desconecte la alimentación. Afloje la base y revise todas las conexiones.</li> </ol>
El funcionamiento es ruidoso.	<ol style="list-style-type: none"> <li>1. Las aspas están sueltas.</li> <li>2. Hay un aspa partida.</li> <li>3. Se está utilizando un regulador de intensidad de rango completo.</li> <li>4. El ventilador es nuevo.</li> </ol>	<ol style="list-style-type: none"> <li>1. Apriete todos los tornillos de las aspas.</li> <li>2. Reemplace la hoja.</li> <li>3. Reemplace por un dispositivo de control de velocidad autorizado.</li> <li>4. Permita que el ventilador tenga un período de asentamiento de un par de días, especialmente al encender el ventilador a velocidades media y alta.</li> </ol>
Hay un tambaleo excesivo.	<ol style="list-style-type: none"> <li>1. Las aspas están sueltas.</li> <li>2. Los brazos de las aspas no están ajustados correctamente.</li> <li>3. El ventilador no está bien montado.</li> <li>4. El ventilador está demasiado cerca del techo de bóveda.</li> <li>5. El(los) tornillo(s) de fijación en la horquilla de la carcasa del motor no está(n) bien apretado(s).</li> <li>6. El tornillo de fijación en la bola para colgar no está bien apretado.</li> </ol>	<ol style="list-style-type: none"> <li>1. Apriete todos los tornillos de las aspas.</li> <li>2. Vuelva a instalar los brazos de las aspas.</li> <li>3. Desconecte la alimentación. Afloje cuidadosamente la base y verifique que el soporte de montaje esté sujeto con firmeza.</li> <li>4. Utilice una varilla más larga o mueva el ventilador a otra ubicación.</li> <li>5. Apriete firmemente el(los) tornillo(s) de fijación de la horquilla.</li> <li>6. Afloje y baje cuidadosamente la base y verifique que el tornillo de fijación de la bola para colgar esté bien apretado.</li> </ol>
El ventilador funciona pero las luces no.	<ol style="list-style-type: none"> <li>1. Las bombillas no están bien instaladas.</li> <li>2. Los conductores de la caja de salida no están bien conectados.</li> <li>3. El interruptor de pared del ventilador está apagado.</li> </ol>	<ol style="list-style-type: none"> <li>1. Vuelva a instalar las bombillas.</li> <li>2. Revise los conductores de la caja de salida y, si es necesario, vuelva a conectarlos de acuerdo con las instrucciones de las páginas 28 y 29.</li> <li>3. Asegúrese de que el interruptor de pared del ventilador esté en la posición de encendido.</li> </ol>

## SOLUCIÓN DE PROBLEMAS

PROBLEMA	CAUSA POSIBLE	ACCIÓN CORRECTIVA
	4. El kit de iluminación cuenta con bombillas de más de los 190 vatios permitidos, lo que provoca que el dispositivo de control de vataje interrumpa el flujo de electricidad hacia el kit de iluminación.	4. Kit de iluminación de la lámpara con bombillas que no suman más de 190 vatios.

**NOTA:** Una pequeña cantidad de "tambaleo" es normal y no se debe considerar como un defecto.

## GARANTÍA LIMITADA DE POR VIDA

El distribuidor garantiza que este ventilador no presenta defectos en la mano de obra ni en los materiales presentes al momento del transporte desde la fábrica durante un período limitado de por vida a partir de la fecha de compra. Esta garantía es válida solo para el comprador original. El distribuidor acepta reparar cualquier defecto sin cargo o, según nuestro criterio, reemplazar el ventilador de techo por un modelo comparable o superior.

Para obtener el servicio de garantía, presente una copia del recibo de venta como comprobante de la compra. Todos los costos de extracción y reinstalación son responsabilidad absoluta del comprador. Cualquier daño al ventilador de techo producido por accidente, uso indebido o instalación incorrecta, o por el uso de piezas no producidas por el fabricante de este ventilador o accesorios de fijación que no son del fabricante de este ventilador, será responsabilidad del comprador. El distribuidor no asume ningún tipo de responsabilidad por la instalación del ventilador durante la garantía limitada de por vida. Cualquier servicio realizado por una persona no autorizada invalidará la garantía.

Debido a las cambiantes condiciones climáticas, esta garantía no cubre cambios en el acabado de latón, óxido, picaduras, deslustre, corrosión o descascarado. Los ventiladores con acabado de latón mantienen su belleza cuando se les protege de las cambiantes condiciones climáticas. La garantía no cubre los elementos de vidrio incluidos con este ventilador.

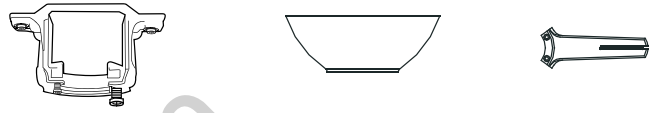
Cualquier reemplazo de piezas defectuosas para el ventilador de techo debe informarse dentro del primer año a partir de la fecha de compra. Para conocer el saldo de la garantía, llame a nuestro Departamento de Servicio al Cliente (al **1-800-643-0067**) para obtener la autorización para la devolución y las instrucciones de envío, de modo que podamos reparar o reemplazar el ventilador de techo. Un ventilador o piezas devueltas con un embalaje incorrecto son de responsabilidad única del comprador. No existe otro tipo de garantía explícita. El distribuidor rechaza cualquiera y todas las garantías implícitas. La duración de cualquier garantía implícita que no pueda rechazarse se limita al período de la garantía limitada de por vida especificado en nuestra garantía. El distribuidor no se hará responsable por daños accidentales, resultantes ni especiales que surjan en relación con el uso o el funcionamiento del producto, excepto que la ley indique lo contrario. Esta garantía le otorga derechos legales específicos, pero podría tener también otros derechos que varían según el estado. Esta garantía sustituye cualquier garantía previa.



## LISTA DE PIEZAS DE REPUESTO

Para obtener piezas de repuesto, llame a nuestro Departamento de Servicio al Cliente al **1-800-643-0067**, de lunes a jueves de 8 a.m. a 6 p.m., y los viernes de 8 a.m. a 5 p.m., hora estándar del Este.

PIEZA	DESCRIPCIÓN	PIEZAS #
A	Soporte de montaje	125453-A
B	Base	125453-B
C	Brazo del aspa	125453-C
D	Aspa	125453-D
E	Tornillo del motor	125453-E
F	Arandela de seguridad	125453-F
G	Cubierta de la horquilla	125453-G
H	Extensión para la cadena de tiro	125453-H
I	Pantalla de vidrio	125453-I
K	Tornillo de montaje de la base	125453-K
M	Placa de la carcasa del interruptor	125453-M
N	Soporte del kit de iluminación	125453-N
O	Varilla	125453-O
P	Pasador	125453-P
Q	Sujetador	125453-Q
R	Cubierta de la base	125453-R
AA	Tornillo para aspa	125453-AA
BB	Arandela de aspa	125453-BB
CC	Conector de cables E3	125453-CC



A

B

C

D



E

F

G

H



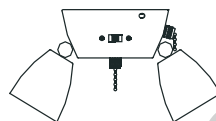
I



K



M



N



O



P



Q



R



AA



BB

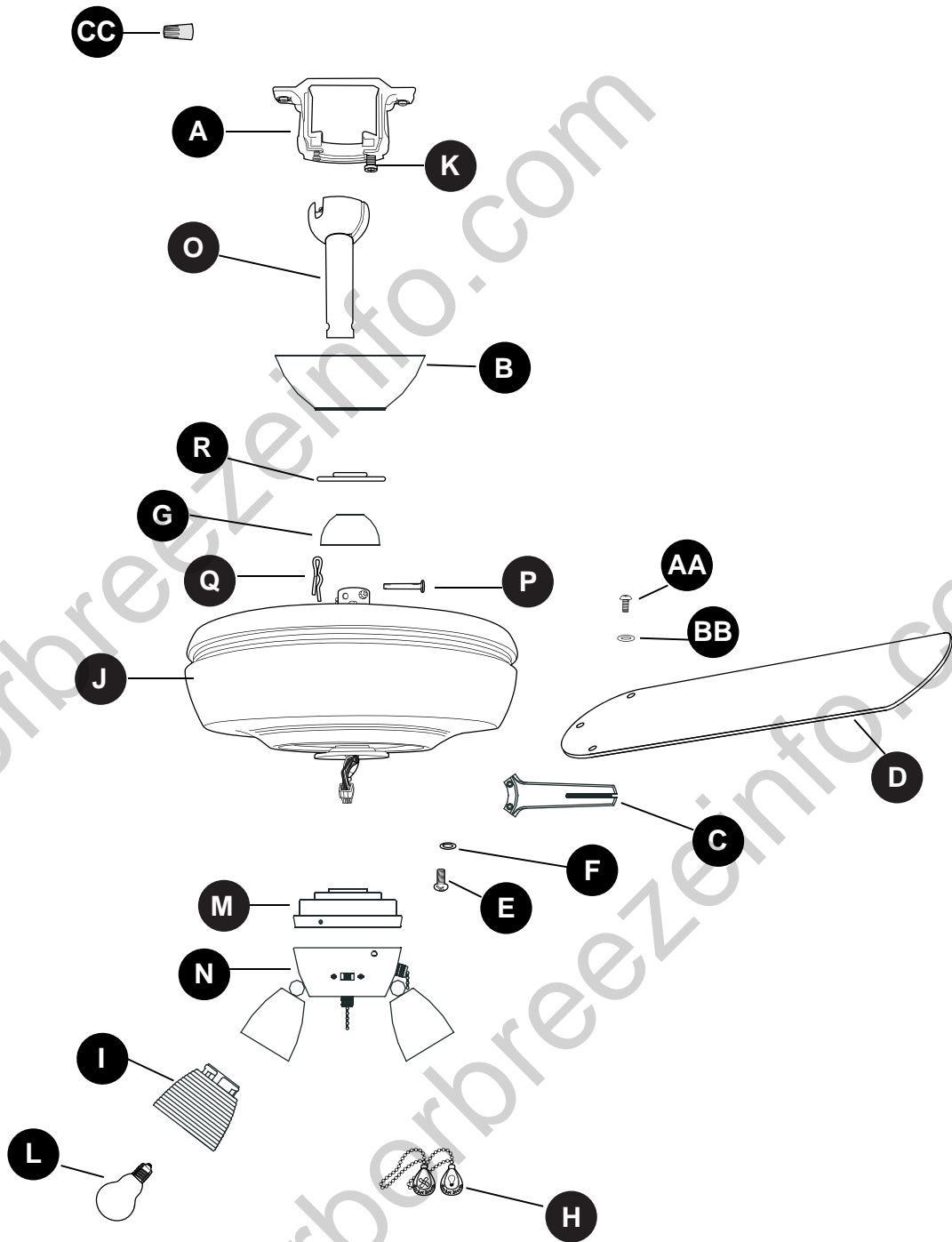


CC

Impreso en China

Harbor Breeze® es una marca registrada de LF, LLC. Todos los derechos reservados.

EXPLODED VIEW/VISTA DETALLADA



# Quick Reference Guide

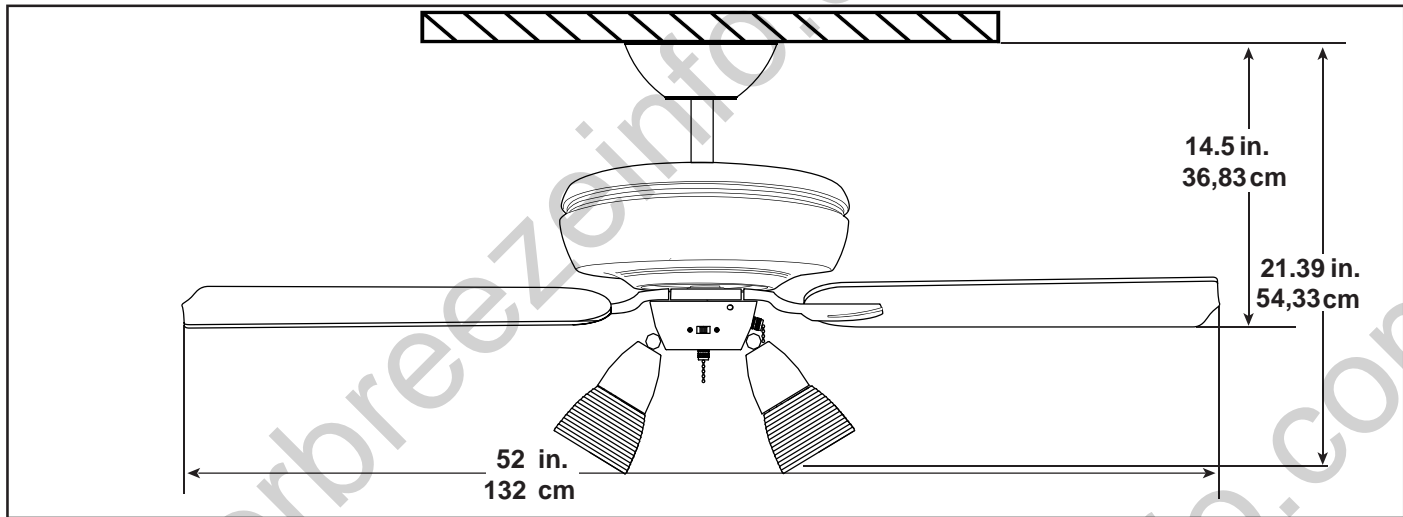
## Guía de referencia rápida

Pullout Section  
Sección desprendible

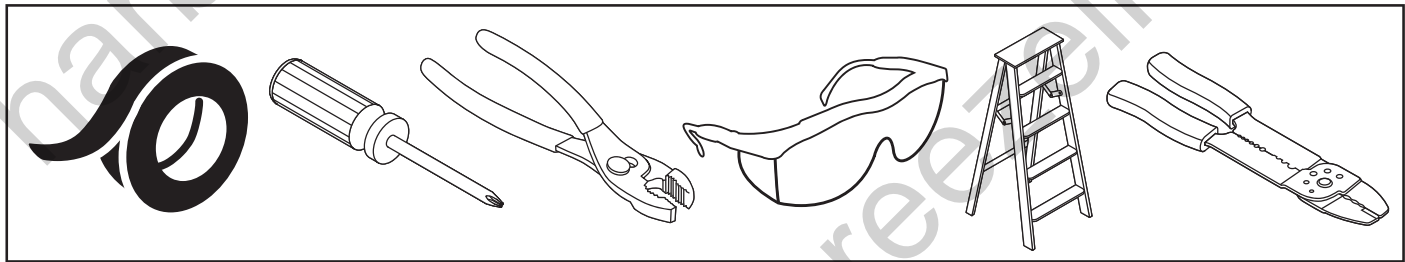
### ⚠ BEFORE BEGINNING INSTALLATION/ANTES DE COMENZAR LA INSTALACIÓN

This is a general overview of assembly process. Read the complete installation manual for detailed instructions and safety information./Este es un resumen general del proceso de ensamblaje. Lea el manual de instalación completo para obtener instrucciones detalladas e información de seguridad.

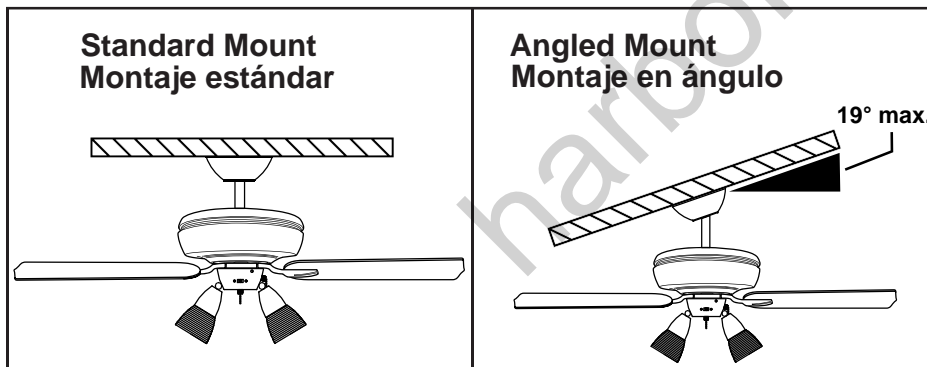
### DIMENSIONS/DIMENSIONES



### TOOLS REQUIRED/HERRAMIENTAS NECESARIAS



### MOUNTING OPTIONS/OPCIONES DE MONTAJE



QUICK REFERENCE GUIDE/GUÍA DE REFERENCIA RÁPIDA



# INSTALLATION OVERVIEW/DESCRIPCIÓN GENERAL DE LA INSTALACIÓN

**2** Feed Wires  
Pase los cables

See Page  
Consulte la  
página

**8**  
**26**

**3** Install Downrod  
Instale la varilla

Set  
Screw  
Tornillo  
de fijación

See Page  
Consulte la  
página

**8**  
**26**

**6** Attach Canopy/Fije la base

See Page  
Consulte la  
página

**12**  
**30**

**7** Attach Blade Arms  
Fije los brazos de las aspas

See Page  
Consulte la  
página

**12**  
**30**

**10** Install Pull Chain Extensions  
Instale las extensiones de la  
cadena de tiro

See Page  
Consulte la  
página

**14**  
**32**

Turn On Power Source  
Encienda la fuente de alimentación

or