



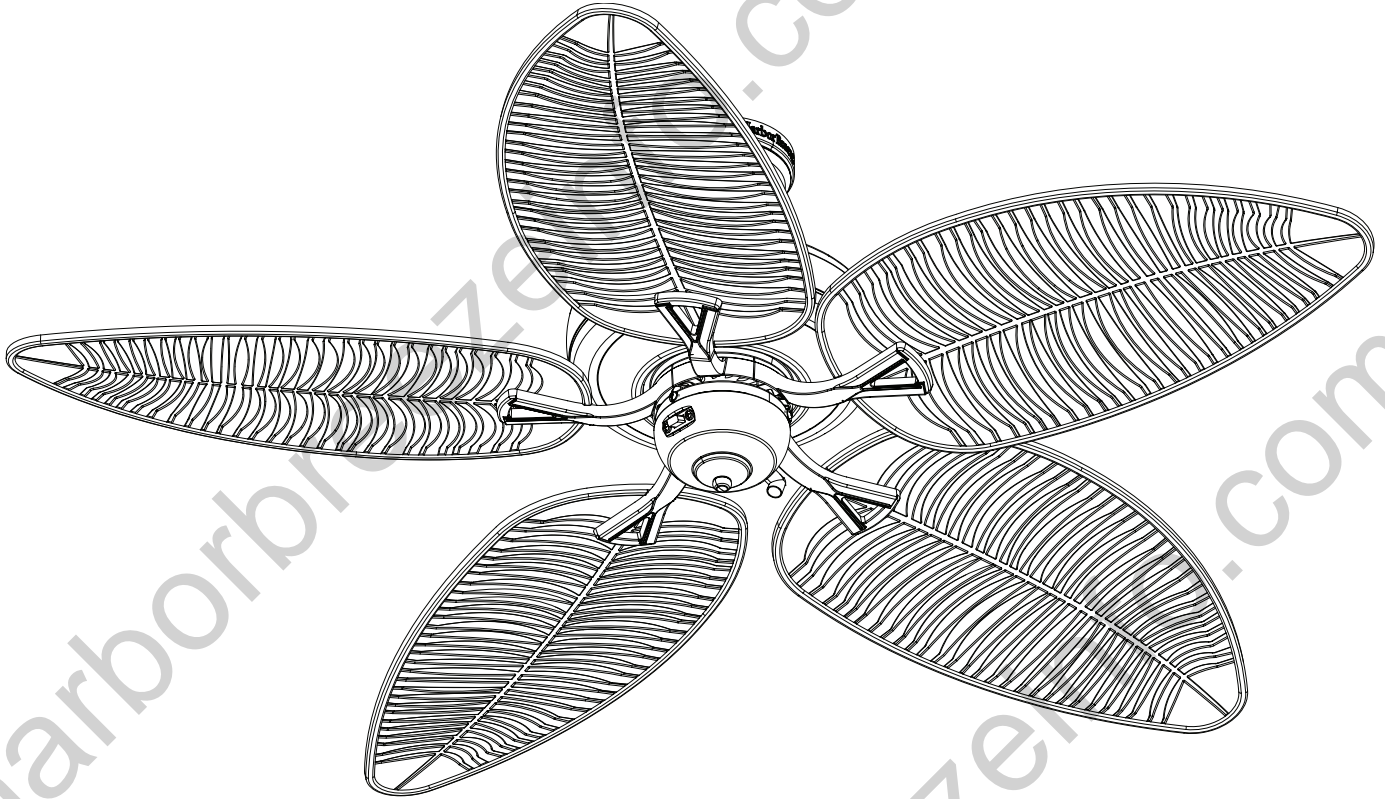
Harbor Breeze® is a registered trademark of LF, LLC. All Rights Reserved.

ITEM #0451809

PACIFIC GROVE CEILING FAN

MODEL #40101

Español p. 23



ATTACH YOUR RECEIPT HERE

Serial Number _____

Purchase Date _____



**LISTED FOR
WET LOCATION**



Questions, problems, missing parts? Before returning to your retailer, call our customer service department at 1-800-643-0067, 8 a.m. - 6 p.m., EST, Monday - Thursday, 8 a.m. - 5 p.m., EST, Friday.



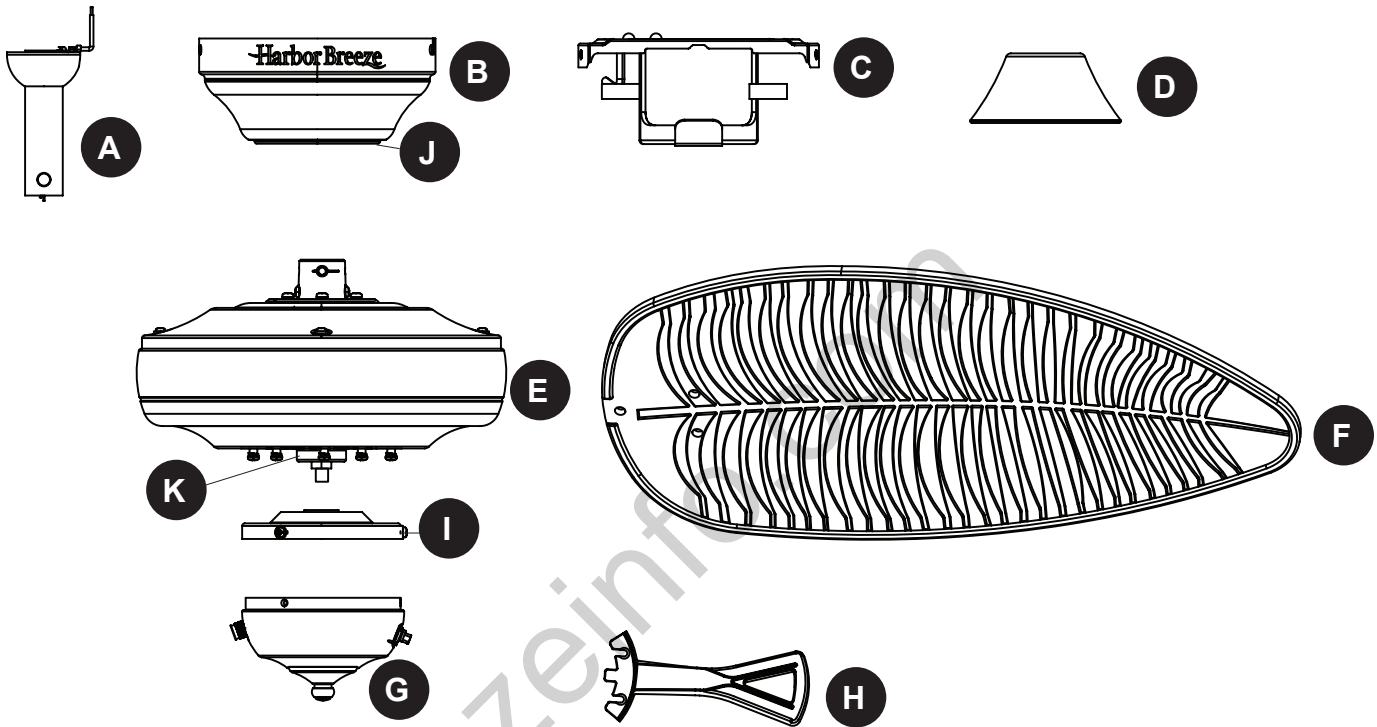
TABLE OF CONTENTS

Package Contents	3
Hardware Contents	4
Safety Information	5
Preparation	6
Initial Installation	7
Standard or Angle Mounting Instructions.	9
Closemount Instructions	12
Final Installation.	15
Operating Instructions	18
Care and Maintenance	19
Troubleshooting	19
Limited Lifetime Warranty	21
Replacement Parts List	22

harborbreezeinfo.com



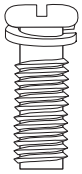
PACKAGE CONTENTS



PART	DESCRIPTION	QUANTITY
A	Downrod	1
B	Canopy (preassembled to Mounting Bracket (C))	1
C	Mounting Bracket	1
D	Yoke Cover	1
E	Motor Assembly	1
F	Blade	5
G	Switch Housing	1
H	Blade Arm	5
I	Fitter Plate	1
J	Canopy Cover (preassembled to Canopy (B))	1
K	Switch Housing Plate (preassembled to the Motor Assembly (E))	1

HARDWARE CONTENTS

AA



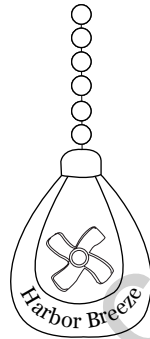
Motor Screw
Qty. 10
(preassembled to
Motor Assembly (E))
+ 1 extra

BB



Wire
Connector
Qty. 3 + 1 extra

CC



Pull Chain
Extension
Qty. 1

DD



Downrod Clip
Qty. 1
(preassembled to
Downrod (A))

EE



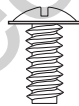
Downrod Pin
Qty. 1
(preassembled to
Downrod (A))

FF



Motor Housing Set
Screw
Qty. 2
(preassembled to
Motor
Assembly (E))

GG



Closemount
Screw
Qty. 3
(preassembled to
Motor
Assembly (E))

HH



Mounting Bracket
Screw
Qty. 4
(preassembled to
Mounting Bracket
(C))

II



Blade Screw
Qty. 15 + 1 extra

JJ



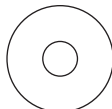
Blade Washer
Qty. 15 + 1 extra

KK



Spring Washer
Qty. 10
(preassembled to
Motor Screw (AA))
+ 1 extra

LL



Rubber Washer
Qty. 15 + 1 extra

MM



Switch Housing
Plate Screw
Qty. 3
(preassembled to
Switch Housing
Plate (K))

NN




Switch Housing
Screw
Qty. 3
(preassembled to
the Fitter Plate (I))





SAFETY INFORMATION


Please read and understand this entire manual before attempting to assemble, operate or install the product.


- Before you begin installing the fan, disconnect the power by removing fuses or turning off the circuit breakers.
- Make sure that all electrical connections comply with local codes, ordinances, the National Electrical Code, and ANSI/NFPA 70-199. Hire a qualified electrician or consult a do-it-yourself wiring handbook if you are unfamiliar with installing electrical wiring.
- Make sure the installation site you choose allows a minimum clearance of 7 ft. from the blades to the floor and at least 30 in. from the end of the blades to any obstruction.
- The net weight of this fan is: 16.23 lbs.

 **DANGER:** When using an existing outlet box, make sure the outlet box is securely attached to the building structure and can support the full weight of the fan. Failure to do this can result in serious injury or death. The stability of the outlet box is essential in minimizing wobble and noise in the fan after installation is complete.


 **DANGER:** If using the fan in a wet location, the fan must be connected to a supply circuit that is protected by a Ground Fault Circuit Interrupter (GFCI) to reduce the risk of personal injury, electrical shock or death.


 **WARNING:** To avoid personal injury, the use of gloves may be necessary while handling fan parts with sharp edges.

 **WARNING:** To reduce the risk of fire, electric shock, or personal injury, mount the fan to an outlet box marked “ACCEPTABLE FOR FAN SUPPORT” and use the mounting screws provided with the outlet box. Most outlet boxes commonly used for the support of lighting fixtures are not acceptable for fan support and may need to be replaced. Consult a qualified electrician if in doubt. Secure the outlet box directly to the building structure. The outlet box and its support must be able to support the moving weight of the fan (at least 35 lbs.). Do NOT use a plastic outlet box.

 **WARNING:** To reduce the risk of fire, electrical shock, or personal injury, wire connectors provided with this fan are designed to accept only one 12-gauge house wire and two lead wires from the fan. If your house wire is larger than 12 gauges or there is more than one house wire to connect to the two fan lead wires, consult an electrician for the proper size wire connectors to use.

 **WARNING:** To reduce the risk of fire or electric shock, do not use the fan with any solid-state speed-control device or control the fan speed with a full-range dimmer switch.

 **WARNING:** To reduce the risk of fire, electric shock, or personal injury, do not bend the blade arms when installing them, balancing the blades, or cleaning the fan. Do not insert objects between the rotating fan blades.

 **WARNING:** To reduce the risk of personal injury, use only parts provided with this fan. The use of parts OTHER than those provided with this fan will void the warranty.



SAFETY INFORMATION

CAUTION: Read all instructions and safety information before installing your new fan. Review the accompanying assembly diagrams.

CAUTION: Be sure the outlet box is properly grounded or that a ground (green or bare) wire is present.

CAUTION: Carefully check all screws, bolts, and nuts on the fan motor assembly to ensure that they are secured.

PREPARATION

Before beginning the assembly of this product, ensure all parts are present. Compare all parts with the package contents list and hardware contents list. If any part is missing or damaged, do not attempt to assemble the product.

After opening the top of the carton, remove the mounting hardware package from the foam inserts, then remove the motor from the packaging and place it on a soft surface, such as a carpet, to avoid damage to the finish.

Estimated Assembly Time: 120 minutes

Tools Required for Assembly (not included): Electrical Tape, Phillips Screwdriver, Pliers, Safety Glasses, Step Ladder and Wire Strippers

Helpful Tools (not included): AC Tester Light, Tape Measure, Wiring Handbook and Wire Cutters



INITIAL INSTALLATION

1. Turn off the circuit breakers and the wall switch to the fan supply line leads.

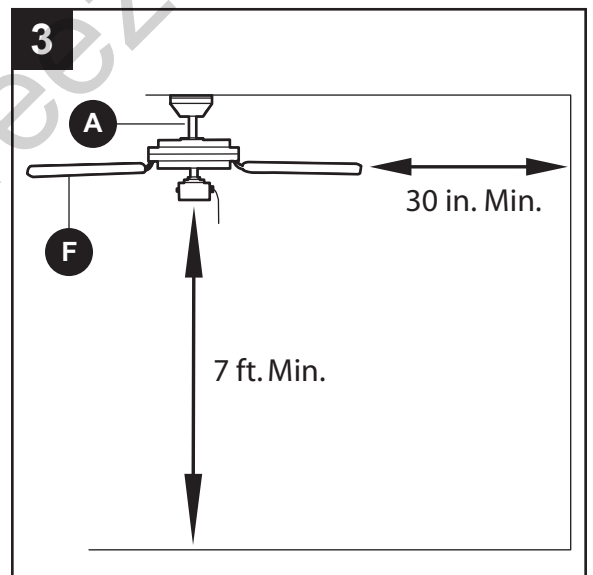
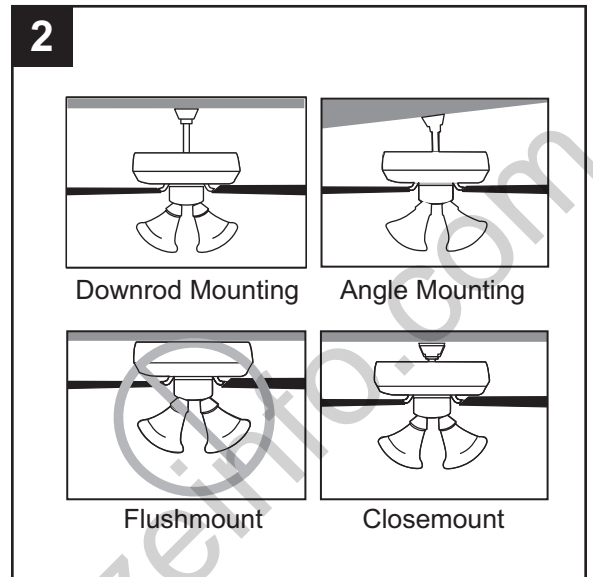
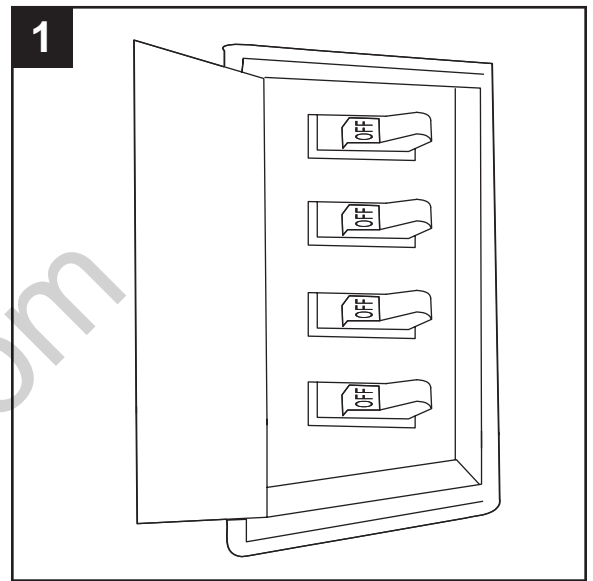
⚠ DANGER: Failure to disconnect the power supply prior to installation may result in serious injury or death.

2. Determine the mounting method to use.

Note: Flushmount installation is not available for this item.

Important: If using the angle mount, check to ensure the ceiling angle is not steeper than 23°.

3. Ensure the blades (F) will be at least 30 in. from any obstructions. Also check the downrod (A) length to ensure the blades (F) will be at least 7 ft. above the floor.



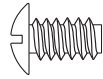
INITIAL INSTALLATION

- Remove the two mounting bracket screws (HH) from the round holes of canopy (B). Set aside for later use. Detach mounting bracket (C) from canopy (B).

Hardware Used



Mounting
Bracket Screw

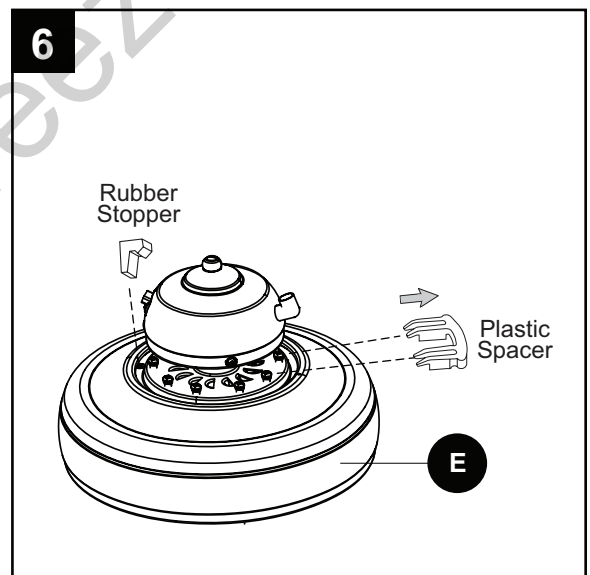
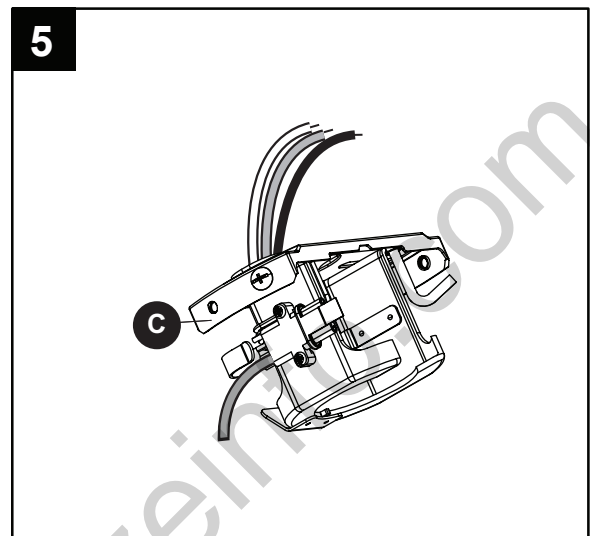
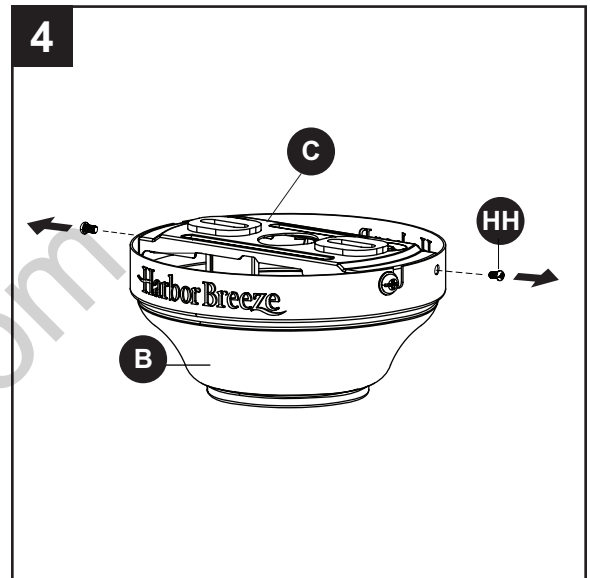


x 2

- Feed black, blue and white wires from the plug on the mounting bracket (C) up through the hole in the top.

- Remove and discard the three rubber stoppers and the five plastic spacers from the underside of the motor assembly (E).

For **Standard or Angle Mounting Instructions**, continue to page 9. For **Closemount Instructions**, proceed to page 12.



STANDARD OR ANGLE MOUNTING INSTRUCTIONS

⚠ WARNING: To reduce the risk of fire, electrical shock, or personal injury, wire connectors provided with this fan are designed to accept only one 12-gauge house wire and two lead wires from the fan. If your house wire is larger than 12 gauges and there is more than one house wire to connect to the two fan lead wires, consult an electrician for the proper size wire connectors to use.

CAUTION: Be sure the outlet box (not included) is properly grounded or that a ground (green or bare) wire is present.

1. Connect supply and mounting bracket (C) wires according to the diagram and these steps:
 - Connect the Green wire from the mounting bracket (C) to the Green supply wire.
 - Connect the White wire from the mounting bracket (C) to the White supply wire.
 - Connect the Black and Blue wires from the mounting bracket (C) to the Black supply wire.
 - Secure all wiring connections together with wire connectors (BB).

Note: The Black wire is hot power for the fan. The White wire is common. The Blue wire is hot power for light (sold separately; wiring instructions will differ if optional light kit is purchased. Refer to light kit manufacturer's instructions). Wiring instructions will differ if optional light kit is purchased. Refer to light kit manufacturer's instructions. The Green wire is the ground wire. If house wires are different colors than referred to above, stop immediately. It is recommended a professional electrician determines the proper wiring.

Hardware Used

BB Wire Connector  x 3

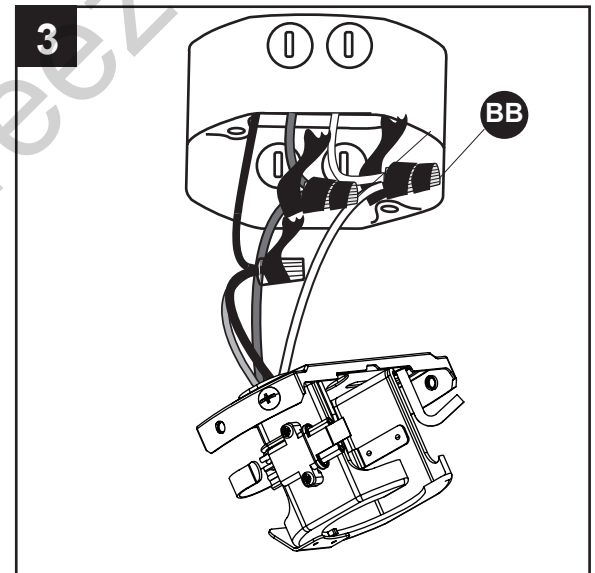
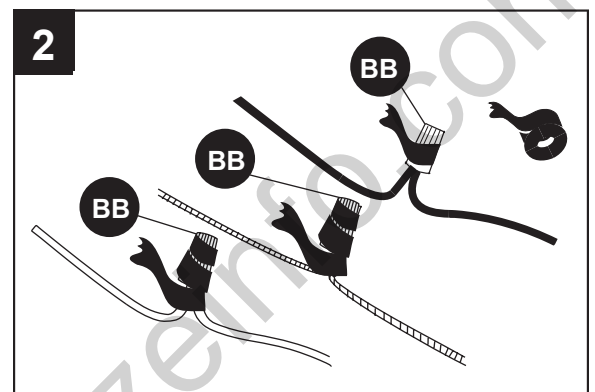
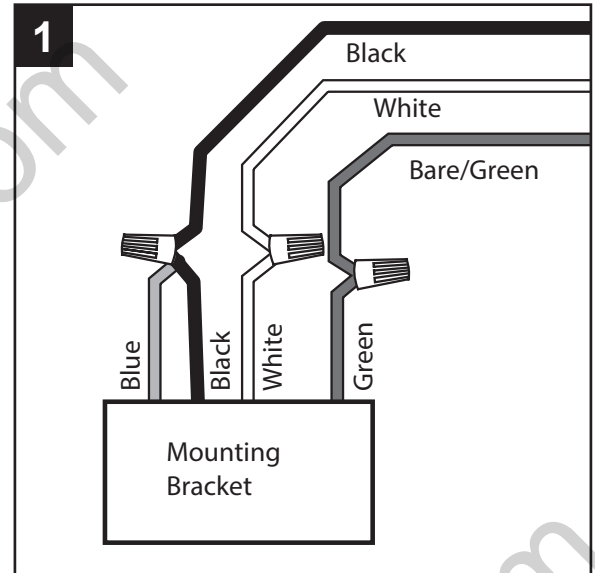
2. Wrap electrical tape (not included) around each individual wire connector (BB) down to the wire.

Hardware Used

BB Wire Connector  x 3

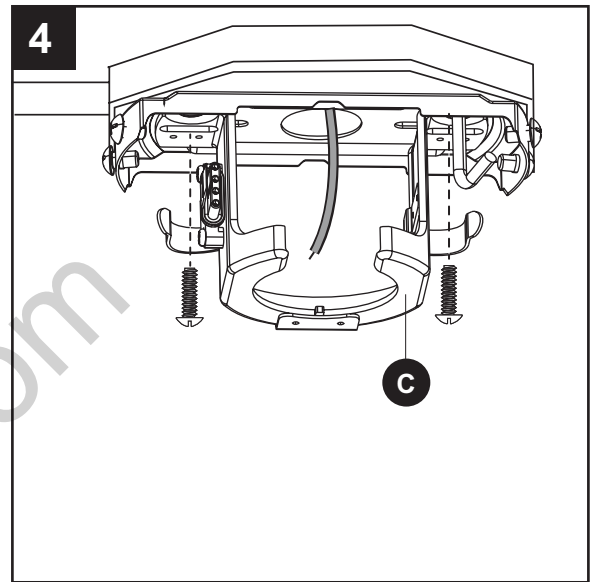
3. Turn the spliced/taped wires upward and gently push the wires and wire connectors (BB) into the outlet box.

⚠ WARNING: Ensure no bare wire or wire strands are visible after making connections. Place the White wire connections on the opposite side of the outlet box from the Black and Blue wire connections.

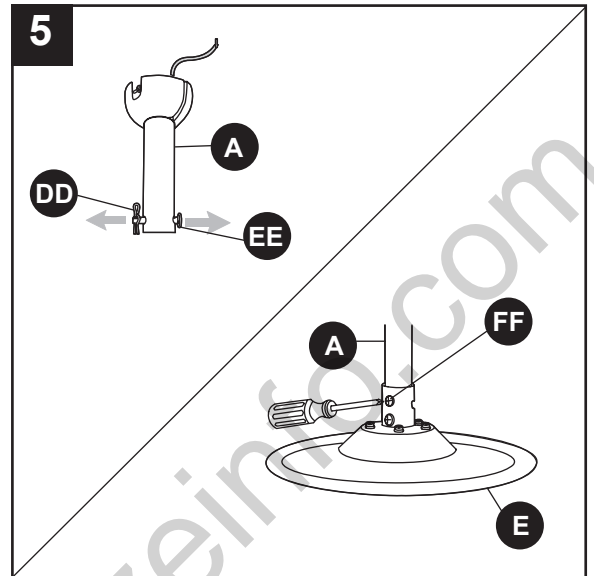


STANDARD OR ANGLE MOUNTING INSTRUCTIONS



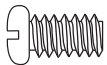
4. Feed green/bare (ground) supply wire down through the hole in the top of the mounting bracket (C). Secure the mounting bracket (C) to the outlet box using screws and washers provided with the outlet box.



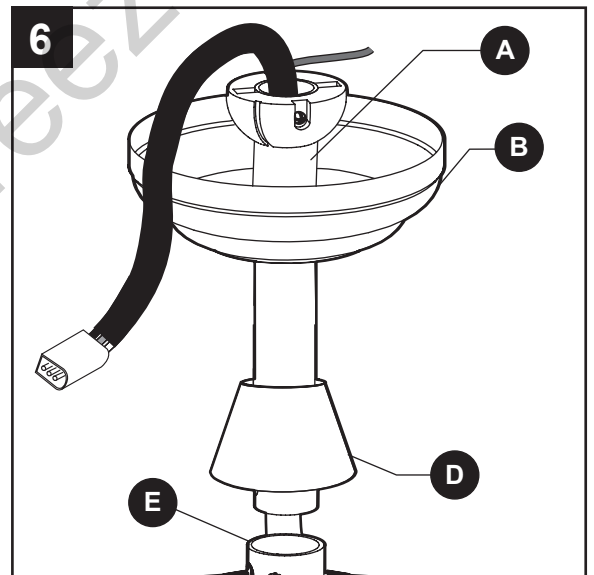
5. Remove the downrod pin (EE) and downrod clip (DD) from the downrod (A). Then partially loosen the motor housing set screws (FF) in the yoke at the top of the motor assembly (E).



Hardware Used

DD	Downrod Clip		x 1
EE	Downrod Pin		x 1
FF	Motor Housing Set Screw		x 2



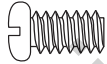
6. Place the downrod (A) into the canopy (B) and yoke cover (D). Feed the wire harness from the motor assembly (E) through the downrod (A).

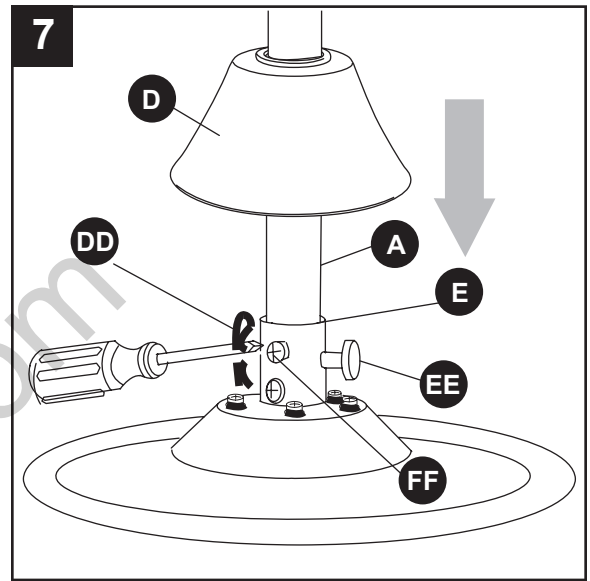


STANDARD OR ANGLE MOUNTING INSTRUCTIONS

7. Insert the downrod (A) into the yoke of the motor assembly (E), align the holes, and re-install the downrod clip (DD) and downrod pin (EE). Secure the motor housing set screws (FF) and slide the yoke cover (D) down until it rests on top of the motor assembly (E).

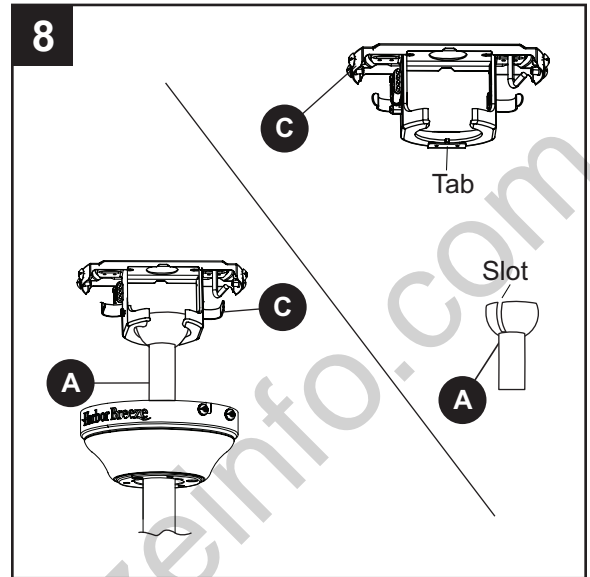
Hardware Used

DD	Downrod Clip		x 1
EE	Downrod Pin		x 1
FF	Motor Housing Set Screw		x 2



8. Carefully lift the downrod (A) onto the mounting bracket (C). Rotate the downrod (A) until the slot on the downrod (A) engages the tab on the mounting bracket (C).

! DANGER: Be careful when aligning the tab to the slot. If not fully engaged, the fan may fall, which may result in serious injury or death.




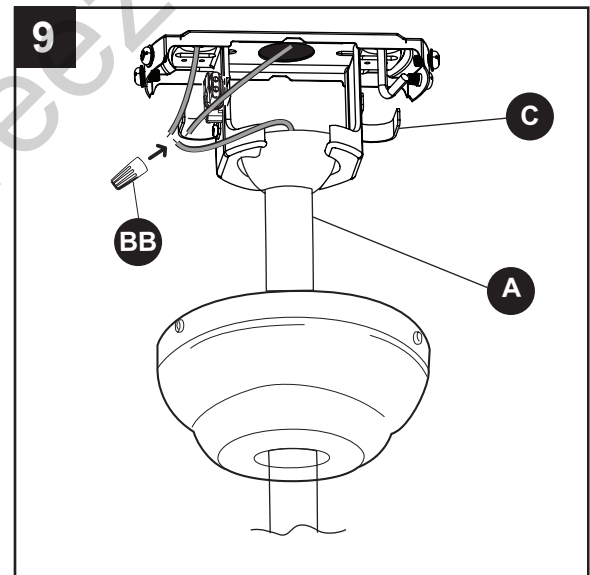
9. Connect the green wires from the downrod (A) and the mounting bracket (C) to the bare/green (ground) supply wire using a wire connector (BB). Then, wrap electrical tape around the wire connector (BB) down to the wire.

Turn the spliced/taped wires upward and gently push the wires and wire connector (BB) into the outlet box.

Proceed to **FINAL INSTALLATION** on page 15.

Hardware Used

BB	Wire Connector		x 1
-----------	----------------	---	-----



CLOSEMOUNT INSTRUCTIONS

⚠ WARNING: To reduce the risk of fire, electrical shock, or personal injury, wire connectors provided with this fan are designed to accept only one 12-gauge house wire and two lead wires from the fan. If your house wire is larger than 12 gauges and there is more than one house wire to connect to the two fan lead wires, consult an electrician for the proper size wire connectors to use.

CAUTION: Be sure the outlet box (not included) is properly grounded or that a ground (green or bare) wire is present.

1. Connect supply and fan wires according to the diagram and these steps:
 - Connect the Green wire from the fan to the Bare/ Green supply wire.
 - Connect the White wire from the fan to the White supply wire.
 - Connect the Black and Blue wires from the fan to the supply Black wire.
 - Secure all wiring connections together with wire connectors (BB).

Note: The Black wire is hot power for the fan. The White wire is common. The Blue wire is hot power for light (sold separately; wiring instructions will differ if optional light kit is purchased. Refer to light kit manufacturer's instructions). Wiring instructions will differ if optional light kit is purchased. Refer to light kit manufacturer's instructions. The Green wires are the ground wires. If house wires are different colors than referred to above, stop immediately. It is recommended a professional electrician determines the proper wiring.

Hardware Used

BB Wire Connector  x 3

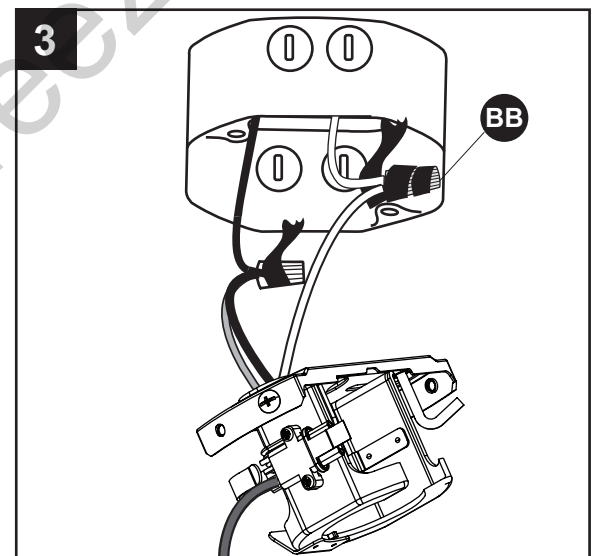
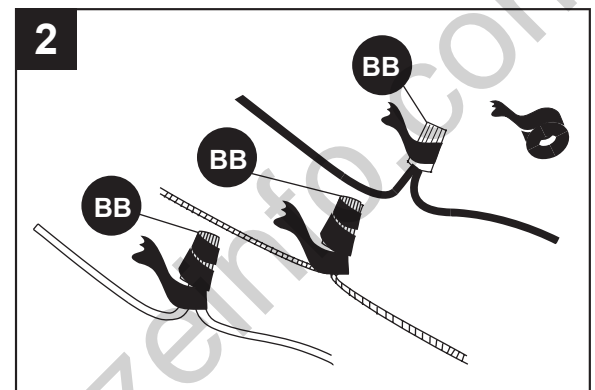
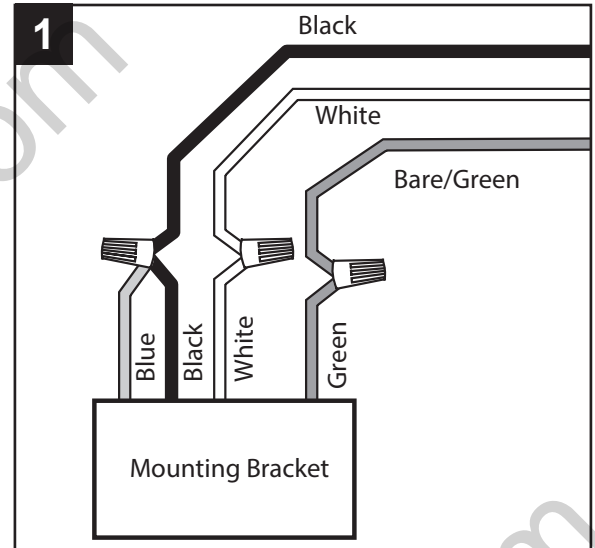
2. Wrap electrical tape (not included) around each individual wire connector (BB) down to the wire.

Hardware Used

BB Wire Connector  x 3

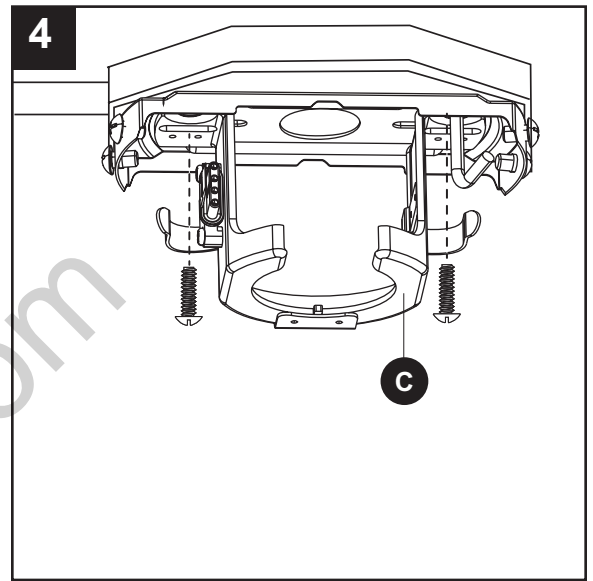
3. Turn the spliced/taped wires upward and gently push the wires and wire connectors (BB) into the outlet box.

⚠ WARNING: Ensure no bare wire or wire strands are visible after making connections. Place the White wire connections on the opposite side of the outlet box from the Black and Blue wire connections.



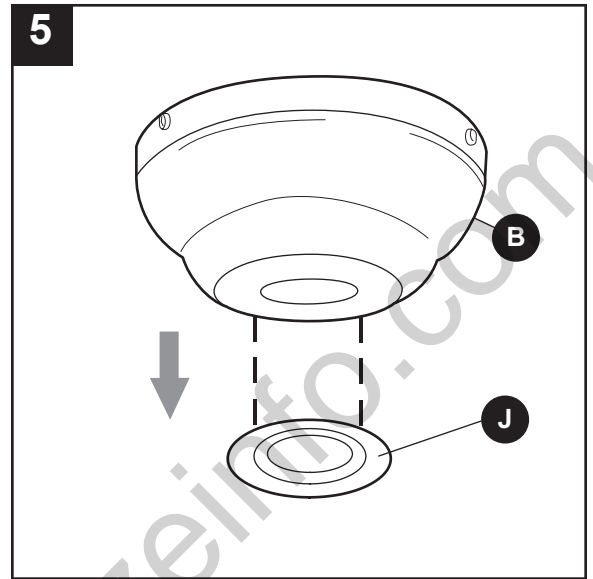
CLOSEMOUNT INSTRUCTIONS

- Secure the mounting bracket (C) to the outlet box using screws and washers provided with the outlet box.

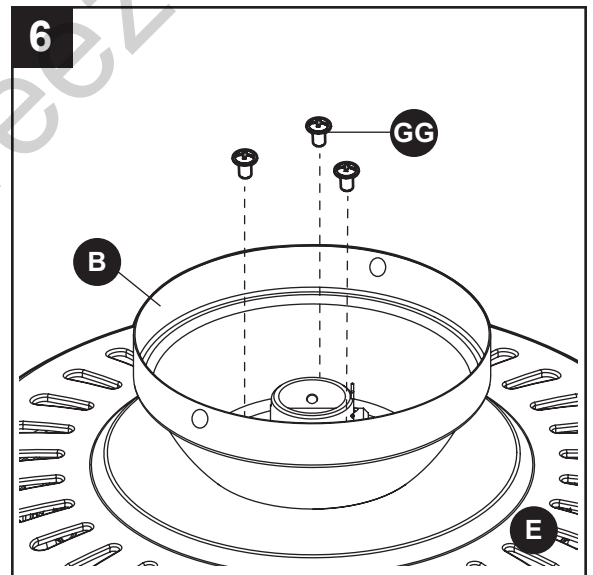


- Remove the canopy cover (J) from the bottom of the canopy (B).

Helpful Hint: Closemount-style mounting is more suitable for ceilings lower than 8 ft. high. The downrod (A) and canopy cover (J) are not used in this type of installation.



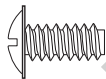
- Remove three closemount screws (GG) from the top of the motor assembly (E). Align the canopy (B) with the holes in the top of the motor assembly (E). Secure the canopy (B) to the top of the motor assembly (E) with the closemount screws (GG).



Hardware Used



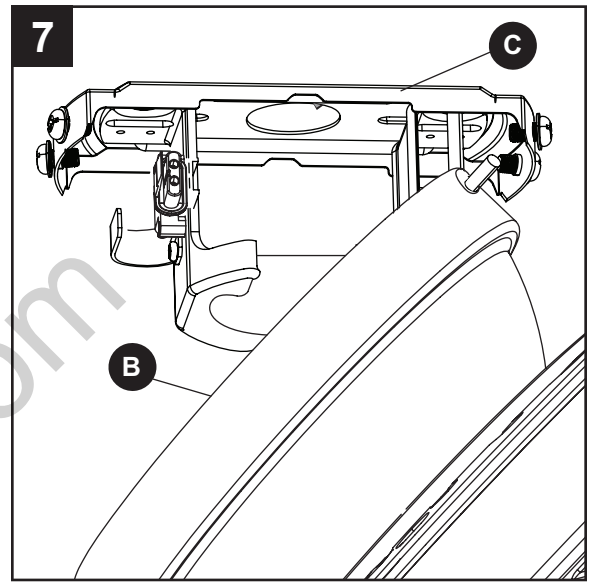
Closemount
Screw



x 3

CLOSEMOUNT INSTRUCTIONS

7. Raise the fan and place the canopy (B) on the hook on the mounting bracket (C).



harborbreezeinfo.com

harborbreezeinfo.com

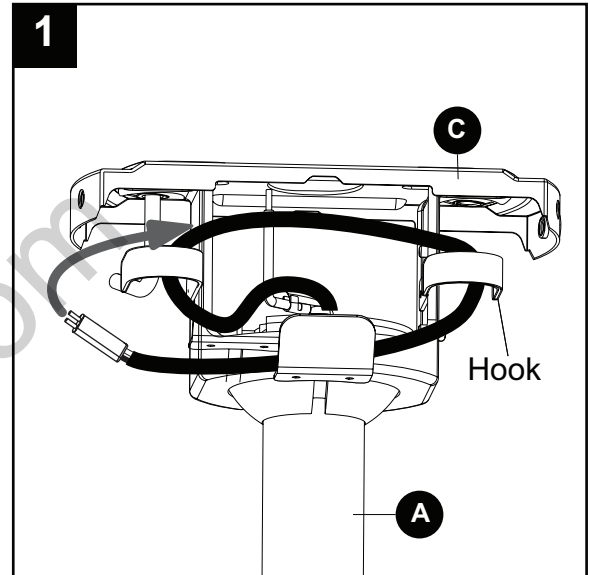


FINAL INSTALLATION

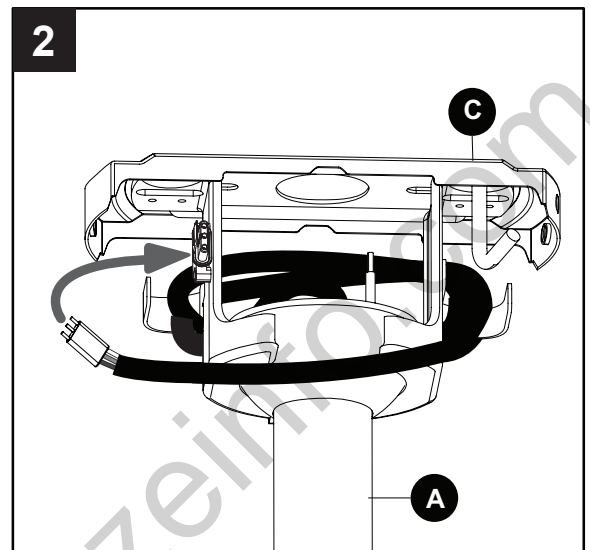
Note: Downrod (A) is shown/referenced, but instructions are applicable to both standard and closemount-style installations.

1. Wrap the wire harness coming from the downrod (A) around the hooks on the back of the mounting bracket (C).

Note: Extra wire harness length accommodates longer downrods (sold separately).



2. Connect the pin connector from the mounting bracket (C) to the pin connector at the end of the wire harness.

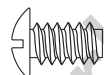


3. Align the key slots on the canopy (B) with the heads of the mounting bracket screws (HH) preassembled on mounting bracket (C). Lift the canopy (B) up and rotate it clockwise until the mounting bracket screws (HH) engage the key slots.

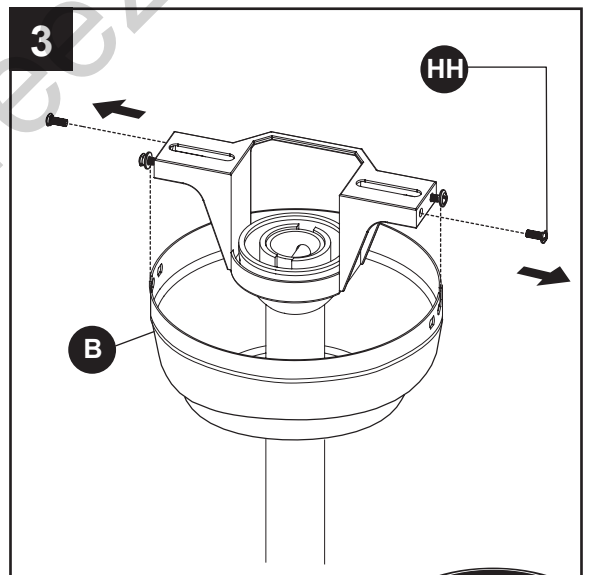
Hardware Used



Mounting Bracket
Screw



x 2

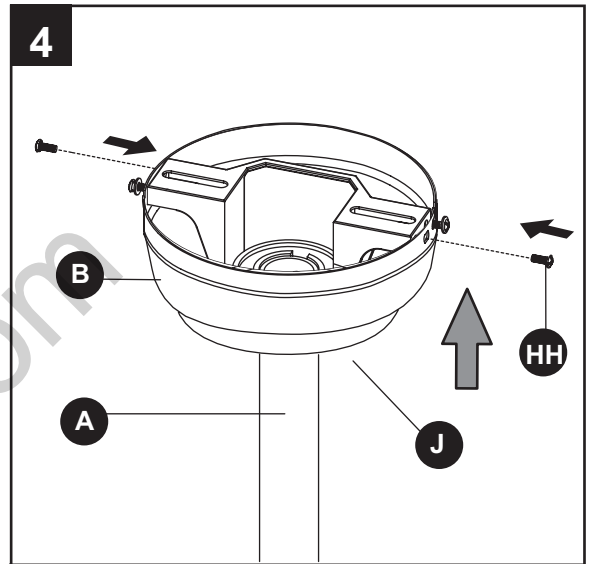


FINAL INSTALLATION

- Secure the canopy (B) with mounting bracket screws (HH) previously removed. Tighten all mounting bracket screws (HH) securely.

Hardware Used

HH Mounting Bracket Screw  x 4



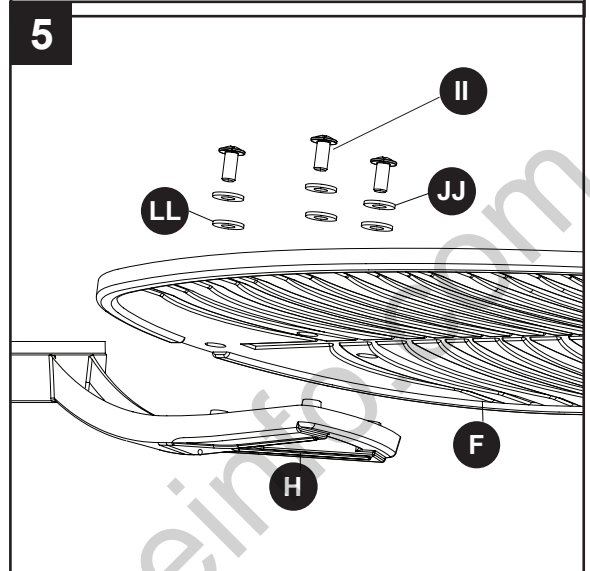
- Partially insert three blade screws (II) along with three blade washers (JJ) and three rubber washers (LL) to attach one blade arm (H) to a blade (F). Tighten each blade screw (II), starting with the one in the middle. Repeat for remaining blades (F).

Hardware Used

II Blade Screw  x 15

JJ Blade Washer  x 15

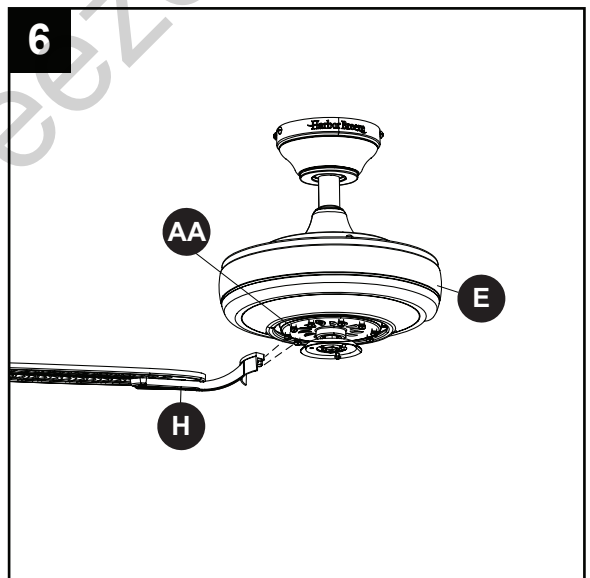
LL Rubber Washer  x 15



- Slide the two holes of a blade arm (H) over the two motor screws (AA) preassembled on motor housing (E). Tighten motor screws (AA) to secure blade arm (H). Repeat for remaining blade arms (H).

Hardware Used

AA Motor Screw  x 10



FINAL INSTALLATION

7. Remove one of the switch housing plate screws (MM) from the switch housing plate (K), and loosen (do not remove) the other two screws. Insert the wires from the motor assembly (E) through the hole in the fitter plate (I).

Hardware Used

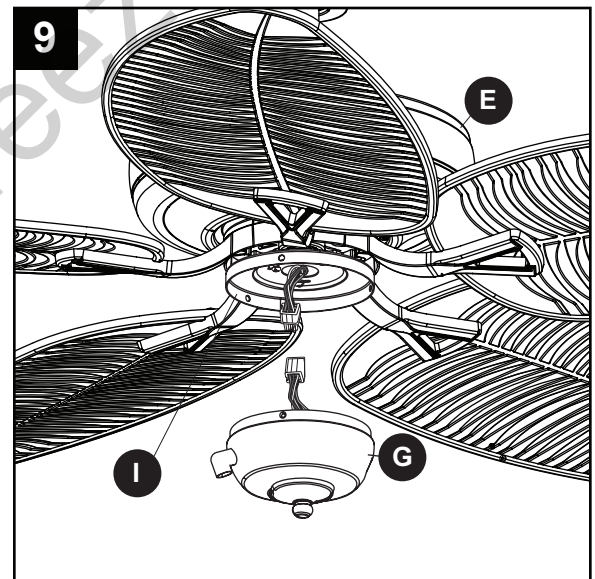
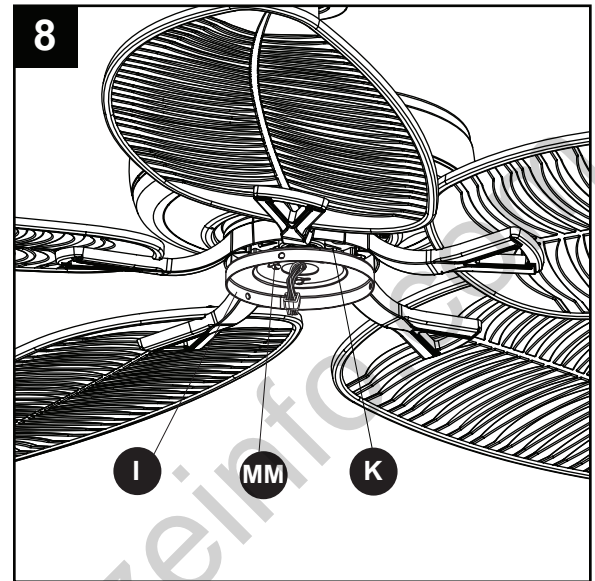
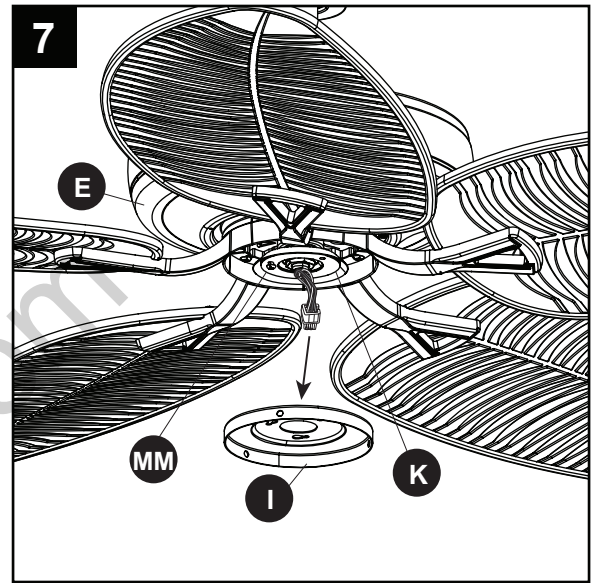
MM Switch Housing Plate Screw  x 3

8. Attach the fitter plate (I) to the switch housing plate (K) by twisting the fitter plate (I) until the loosened switch housing plate screws (MM) engage the key slots on the fitter plate (I). Re-install the third switch housing plate screw (MM) into the closed hole in the fitter plate (I) and securely tighten all three switch housing plate screws (MM).

Hardware Used

MM Switch Housing Plate Screw  x 3

9. Connect the plug from the motor assembly (E) to the plug from the switch housing (G), and ensure the connections are secure.



FINAL INSTALLATION

10. Secure the switch housing (G) to the fitter plate (I) using the switch housing screws (NN) preassembled on fitter plate (I). Then, attach appropriate pull chain extension (CC) to fan pull chain.

Hardware Used

CC

Pull Chain Extension



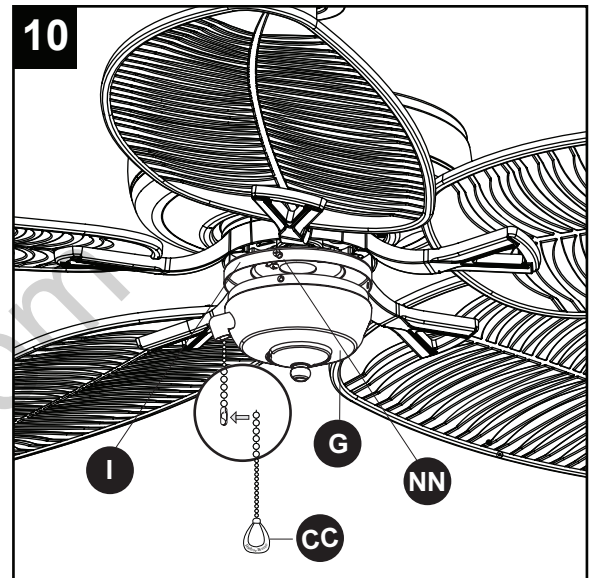
x 1

NN

Switch Housing Screw



x 3



OPERATING INSTRUCTIONS

- The pull chain labeled FAN has four positions to control fan speed. One pull is HIGH, two is MEDIUM, three is LOW and four turns the fan OFF.
- Use the fan reverse switch, located on the switch housing (G) to optimize your fan for seasonal performance.

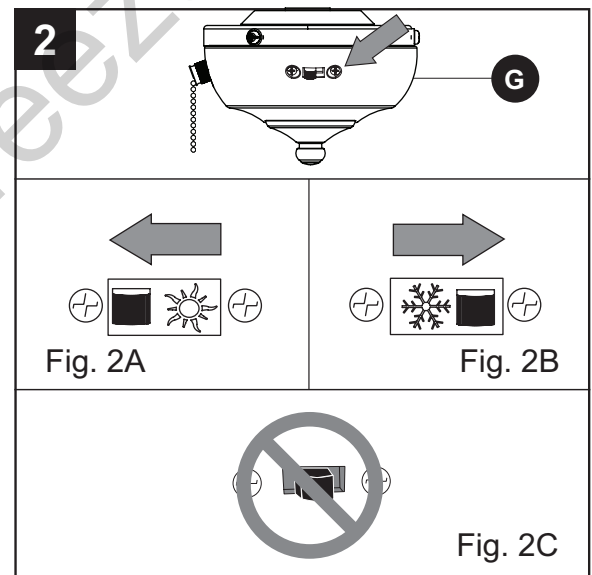
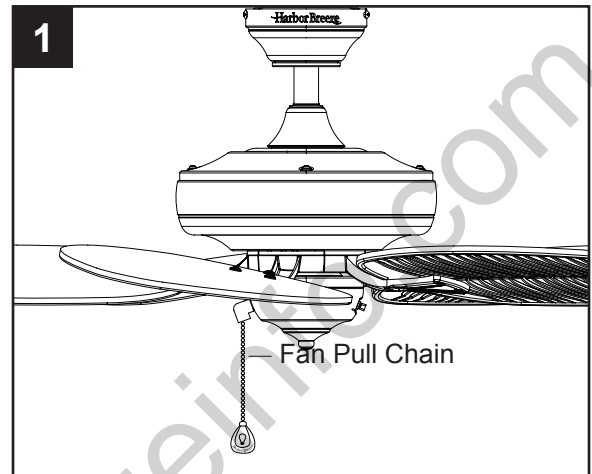
Using a ceiling fan will allow you to raise your thermostat setting in summer and lower your thermostat setting in winter without feeling a difference in your comfort.

Note: Wait for the fan to stop before moving the reverse switch.

2A. In warmer weather, push the reverse switch left to display a Sun icon, which will result in downward airflow creating a wind chill effect.

2B. In cooler weather, push the reverse switch right to display a Snowflake icon, which will result in upward airflow that can help move stagnant, hot air off the ceiling area.

Important: The reverse switch must be set either completely left or right in order for the fan to function correctly. If the reverse switch is set in the middle position, the fan will not operate Fig. 2C.



CARE AND MAINTENANCE

At least twice each year, lower the canopy to check the downrod assembly, and then tighten all screws on the fan. Clean the motor housing with only a soft brush or lint-free cloth to avoid scratching the finish. Clean the blades with a lint-free cloth. You may occasionally apply a light coat of furniture polish to wood blades for added protection.

Important: Shut off the main power supply before you begin any maintenance task. Do not use water or a damp cloth to clean the fan.

TROUBLESHOOTING

PROBLEM	POSSIBLE CAUSE	CORRECTIVE ACTION
The fan does not move.	<ol style="list-style-type: none">1. The reverse switch is not engaged.2. The wall switch is turned off.3. The power is off or the fuse (breaker) is blown.4. There is a faulty wire connection.	<ol style="list-style-type: none">1. Firmly push the reverse switch to either the left or right.2. Make sure the wall switch is turned on.3. Turn the power on or check the fuse (breaker).4. Turn the power off and check all connections at the ceiling outlet box.
The fan is noisy.	<ol style="list-style-type: none">1. The blades are loose.2. There is a cracked blade.3. The wall control is not compatible with the fan.4. The break-in period has not surpassed.5. The outlet box is not secure.6. The mounting bracket is not secure.	<ol style="list-style-type: none">1. Check and tighten all screws that hold the fan blades to the blade arms and the motor.2. Replace the cracked blade.3. Do not use a full range dimmer switch to control the fan speed.4. Run the fan continuously for 24 - 48 hours on medium or high speed for a "break in" period.5. Ensure the outlet box is secured to the building structure.6. Ensure the mounting bracket is secured to the outlet box and that the screws are tight.



TROUBLESHOOTING

PROBLEM	POSSIBLE CAUSE	CORRECTIVE ACTION
<p>There is excessive wobbling.</p>	<ol style="list-style-type: none"> 1. The blades and/or blade are loose. 2. The blades are unbalanced. 3. The fan mounting is not secure. 4. The fan is too close to the vaulted ceiling. 5. The set screw on the motor housing yoke is loose. 	<ol style="list-style-type: none"> 1. Check and tighten all screws that hold the fan blades to the blade arms and the blade arms to the motor. 2. Switch one blade with a blade from the opposite side. Or balance the fan using a balancing kit (not supplied). 3. Turn off the power. Loosen the canopy and verify that the mounting bracket is secure to the electrical outlet box. The bracket must be flush without movement against the outlet box. 4. Use a longer downrod or move the fan to another location. 5. Lift up the yoke cover and tighten the set screw to the yoke until secure.



LIFETIME LIMITED WARRANTY

The manufacturer warrants this fan to be free from defects in workmanship and materials present at time of shipment from the factory for a lifetime from the date of purchase by the original purchaser. The retailer also warrants that all other fan parts, excluding any glass or plexiglas blades, to be free from defects in workmanship and material at the time of shipment from the factory for a period of one year after the date of purchase by the original purchaser. The manufacturer agrees to correct such defects without charge or at its option replace the ceiling fan with a comparable or superior model.

To obtain warranty service, present a copy of the receipt as proof of purchase. All costs of removing and reinstalling the product are your responsibility. Any damage to any part such as by accident or misuse or improper installation or by affixing any accessories, is not covered by this warranty. The manufacturer assumes no responsibility whatsoever for fan installation during the limited lifetime warranty. Any service performed by an unauthorized person will render the warranty invalid.

Due to varying climate conditions, this warranty does not cover any changes in brass finish, including rusting, pitting, corroding, tarnishing or peeling. Brass finishes of this type give their longest useful life when protected from varying weather conditions. Any glass provided with this fan is not covered by the warranty.

Any replacement of defective parts from the ceiling fan must be reported within the first year from the date of purchase. For the balance of the warranty, call our customer service department for return authorization and shipping instructions so that we may repair or replace the ceiling fan. Any fan or parts returned improperly is the sole responsibility of the purchaser. There is no other expressed warranty. The manufacturer disclaims any and all warranties. The duration of any implied warranty which cannot be disclaimed is limited to the time period as specified in the expressed warranty. The manufacturer shall not be liable for incidental, consequential, or special damages arising out of or in connection with product use or performance except as may otherwise be accorded by law. This warranty gives specific legal rights, and you may also have other rights which vary from state to state.

This warranty supersedes all prior warranties.

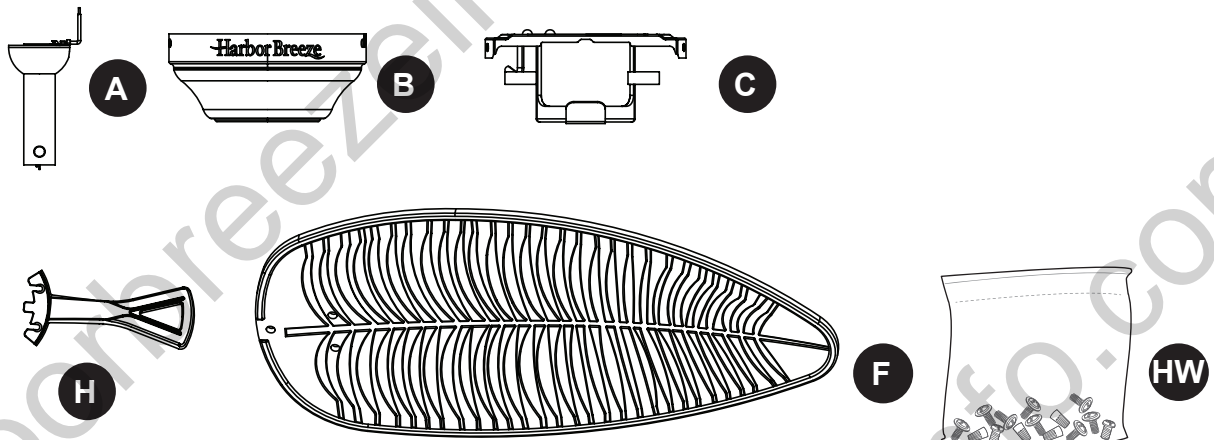
Note: A small amount of “wobble” is normal and should not be considered a defect.



REPLACEMENT PARTS LIST

For replacement parts, call the customer service department at 1-800-643-0067, 8 a.m. - 6 p.m., EST, Monday - Thursday, 8 a.m. - 5 p.m., EST, Friday.

PART	DESCRIPTION	PART #
A	Downrod	0451809-A
B	Canopy	0451809-B
C	Mounting Bracket	0451809-C
H	Blade Arm	0451809-H
F	Blade	0451809-F
HW	Hardware Bag	0451809-HW



Printed in China

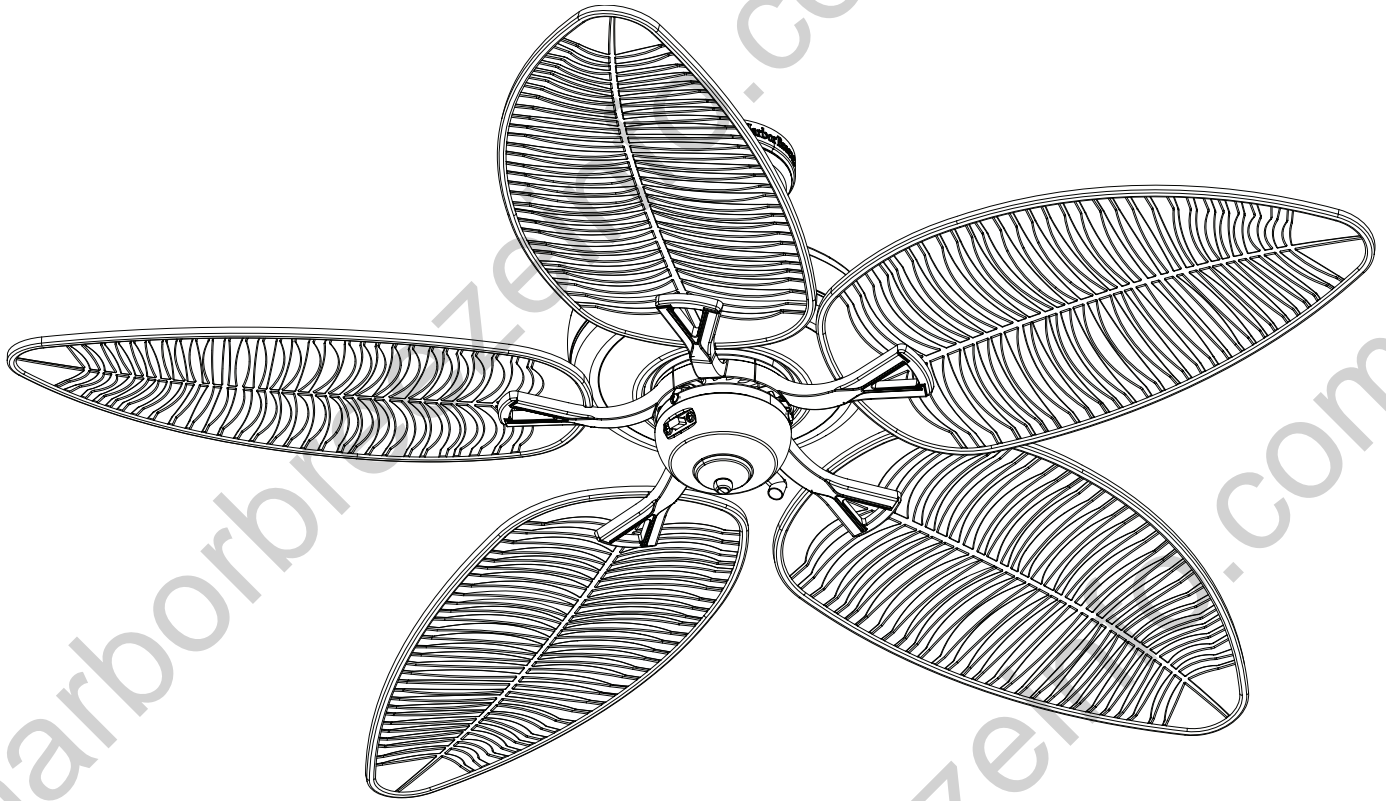
Harbor Breeze® is a registered trademark of LF, LLC. All Rights Reserved





ARTÍCULO #0451809
**VENTILADOR DE TECHO
PACIFIC GROVE**
MODELO #40101

Harbor Breeze® es una marca registrada de LF, LLC.
Todos los derechos reservados.



ADJUNTE SU RECIBO AQUÍ

Número de serie _____

Fecha de compra _____



**HOMOLOGADO
PARA LUGARES
HÚMEDOS**



¿Preguntas, problemas, piezas faltantes? Antes de volver a la tienda, llame a nuestro Departamento de Servicio al Cliente al 1-800-643-0067, de lunes a jueves de 8 a.m. a 6 p.m., y los viernes de 8 a.m. a 5 p.m., hora estándar del Este.



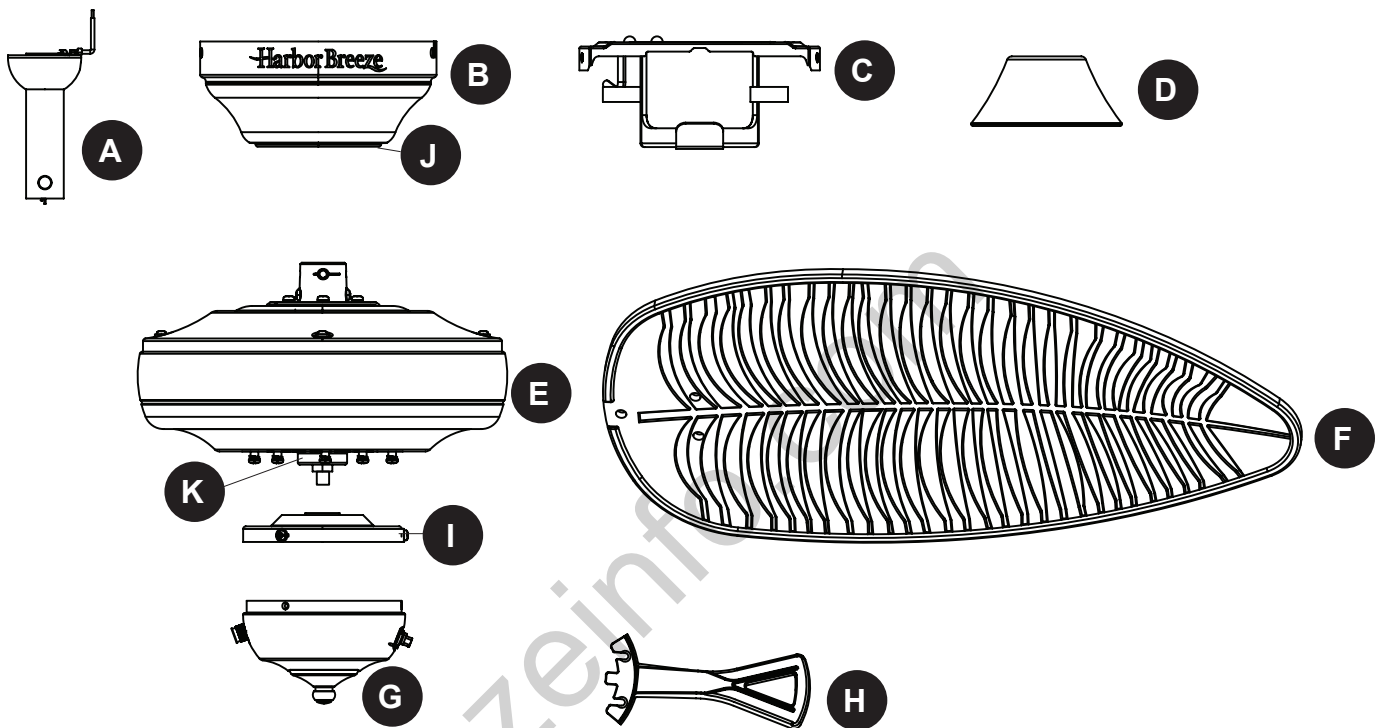
Lowes.com/harborbreeze

ÍNDICE

Contenido del paquete	25
Aditamentos.	26
Información de seguridad	27
Preparación	28
Instalación inicial	29
Instrucciones de montaje en ángulo y estándar	31
Instrucciones para montaje cerrado	34
Instalación final	37
Instrucciones de funcionamiento.	40
Cuidado y mantenimiento	41
Solución de problemas	41
Garantía limitada de por vida	43
Lista de piezas de repuesto.	44



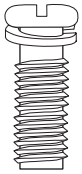
CONTENIDO DEL PAQUETE



PIEZA	DESCRIPCIÓN	CANTIDAD
A	Varilla	1
B	Base (preensamblado en la abrazadera de montaje (C))	1
C	Abrazadera de montaje	1
D	Cubierta de la horquilla	1
E	Ensamble del motor	1
F	Aspa	5
G	Carcasa del interruptor	1
H	Brazo del aspa	5
I	Placa de soporte	1
J	Cubierta de la base (preensamblada en la base (B))	1
K	Placa de la carcasa del interruptor (preensamblado en el ensamblaje del motor (E))	1

ADITAMENTOS

AA



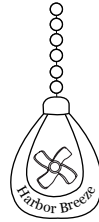
Tornillo del motor
Cant. 10
(preensablado en
la carcasa del motor
(E))
y 1 adicional

BB



Conector de
cables
Cant. 3
y 1 adicional

CC



Extensión para la
cadena de tiro
Cant. 1

DD



Sujetador de la
varilla
Cant. 1
(preensablado
en la varilla (A))

EE



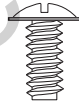
Pasador de
la varilla
Cant. 1
(preensablado
en la varilla (A))

FF



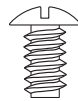
Tornillo de ajuste de
la carcasa del motor
Cant. 2
(preensablado en
el ensamblaje del
motor (E))

GG



Tornillo de
montaje cerrado
Cant. 3
(preensablado
en el ensamblaje
del motor (E))

HH



Tornillo de la
abrazadera
de montaje
Cant. 4
(preensablado
en la abrazadera
de montaje (C))

II



Tornillo del aspa
Cant. 15 y 1
adicional

JJ



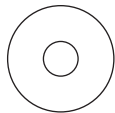
Arandela del
aspa
Cant. 15 y 1
adicional

KK



Arandela de resorte
Cant. 10
(preensablado en
la tornillo del motor
(AA))
y 1 adicional

LL



Arandela de
goma
Cant. 15 y 1
adicional

MM



Tornillo de la placa
de la carcasa del
interruptor
Cant. 3
(preensablado
en la placa de
la carcasa del
interruptor (K))

NN



Tornillo de la
carcasa del
interruptor
Cant. 3
(preensablado
en la placa de
soporte (I))



! INFORMACIÓN DE SEGURIDAD

Lea y comprenda completamente este manual antes de intentar ensamblar, usar o instalar el producto.

- Antes de comenzar a instalar el ventilador, desconecte la alimentación eléctrica; para esto retire los fusibles o coloque el interruptor de circuito en la posición de apagado.
- Asegúrese de que todas las conexiones eléctricas cumplan con los códigos y ordenanzas locales, el National Electrical Code (Código Nacional de Electricidad) y la norma ANSI/NFPA 70-199. Si no está familiarizado con la instalación del cableado eléctrico, contrate a un electricista calificado o consulte un manual de cableado para hacerlo usted mismo.
- Asegúrese de que en el lugar de instalación que elija se pueda establecer una distancia mínima de 2,13 m desde las aspas hasta el piso, y al menos 76,20 cm desde los extremos de las aspas hasta cualquier obstáculo.
- El peso neto de este ventilador es: 7,38 kg.

! PELIGRO: Si utiliza una caja de salida existente, asegúrese de que esté bien sujeta a la estructura del edificio y que pueda sostener el peso del ventilador. El incumplimiento de dicho paso podría provocar lesiones graves o la muerte. La estabilidad de la caja de salida es fundamental para minimizar el tambaleo y el ruido en el ventilador una vez que la instalación esté completa.

! PELIGRO: Si utiliza el ventilador en un área húmeda, debe conectarlo a un circuito de suministro protegido por un interruptor de circuito de falla de puesta a tierra (GFCI) para disminuir el riesgo de lesiones corporales, descargas eléctricas o la muerte.

! ADVERTENCIA: Para evitar lesiones personales, puede ser necesario usar guantes al manipular las piezas del ventilador con bordes filosos.

! ADVERTENCIA: Para reducir el riesgo de incendios, descargas eléctricas o lesiones personales, instale el ventilador en una caja de salida marcada como "APTA PARA SOSTENER UN VENTILADOR" y utilice los tornillos de montaje incluidos en la caja de salida. La mayoría de las cajas de salida que se usan comúnmente para sostener ensambles de iluminación no son aptas para sostener un ventilador y puede ser necesario reemplazarlas. Si tiene dudas, consulte a un electricista calificado. Asegure la caja de salida directamente a la estructura del edificio. La caja de salida y su soporte deben ser capaces de sostener el peso del ventilador en movimiento (al menos 15,88 kg). NO use una caja de salida de plástico.

! ADVERTENCIA: Para reducir el riesgo de incendios, descargas eléctricas o lesiones personales, los conectores de cables proporcionados con este ventilador están diseñados para soportar solo un cable de la casa de calibre 12 y dos cables conductores del ventilador. Si el cable de su casa es de un calibre superior a 12 o hay más de un cable para conectar los dos cables conductores del ventilador, pregúntele a un electricista cuál es el tamaño adecuado de los conectores de cables que debe utilizar.

! ADVERTENCIA: Para reducir el riesgo de incendios o descargas eléctricas, no use el ventilador con dispositivos de control de velocidad para estado sólido ni controle la velocidad del ventilador con un regulador de intensidad de rango completo.

! ADVERTENCIA: Para reducir el riesgo de incendios, descargas eléctricas o lesiones personales, no doble los brazos de las aspas al instalarlas, al equilibrarlas o al limpiar el ventilador. No introduzca objetos entre las aspas en movimiento.

! ADVERTENCIA: Para reducir el riesgo de lesiones personales, use sólo las piezas que se incluyen con este ventilador. El uso de piezas DISTINTAS a aquellas que se incluyen con este ventilador anulará la garantía.



INFORMACIÓN DE SEGURIDAD

PRECAUCIÓN: Lea todas las instrucciones y la información de seguridad antes de instalar el nuevo ventilador. Revise los diagramas de ensamblaje adjuntos.

PRECAUCIÓN: Asegúrese de que la caja de salida cuente con la puesta a tierra adecuada o de que haya un conductor (verde o desnudo) de tierra.

PRECAUCIÓN: Revise cuidadosamente todos los tornillos, pernos y tuercas del ensamble del motor del ventilador para comprobar que estén seguros.

PREPARACIÓN

Antes de comenzar a ensamblar este producto, asegúrese de tener todas las piezas. Compare todas las piezas con la lista del contenido del paquete y con la lista de aditamentos. No intente ensamblar el producto si falta alguna pieza o si estas están dañadas.

Después de abrir la parte superior de la caja, retire el paquete de aditamentos para montaje de los accesorios de espuma. Luego, quite el motor del ensamble y colóquelo en una superficie suave, como una alfombra, para evitar dañar el acabado.

Tiempo estimado de ensamblaje: 120 minutos

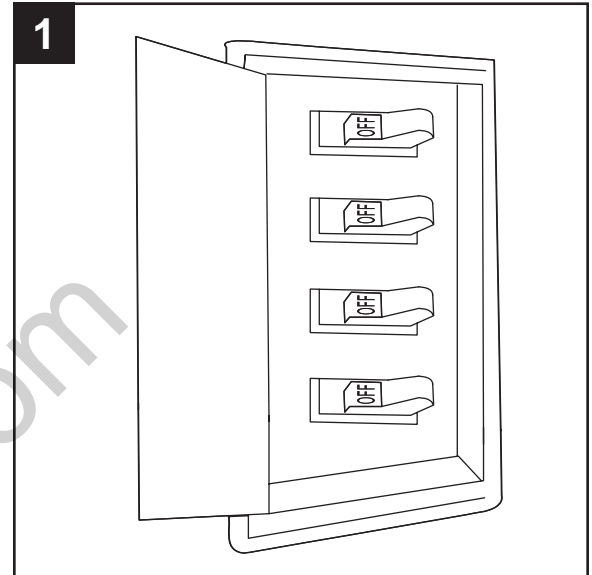
Herramientas necesarias para el ensamblaje (no se incluyen): cinta aislante, destornillador Phillips, pinzas, gafas de seguridad, escalera de tijera y pinzas pelacables.

Herramientas útiles (no se incluyen): Luz de prueba de CA, cinta métrica, manual de cableado y pinzas cortacables

INSTALACIÓN INICIAL

1. Gire las abrazaderas de circuito y el interruptor de pared hacia los conductores de la línea de suministro del ventilador.

! **PELIGRO:** Si no interrumpe el suministro de electricidad antes de la instalación, pueden producirse lesiones graves o la muerte.

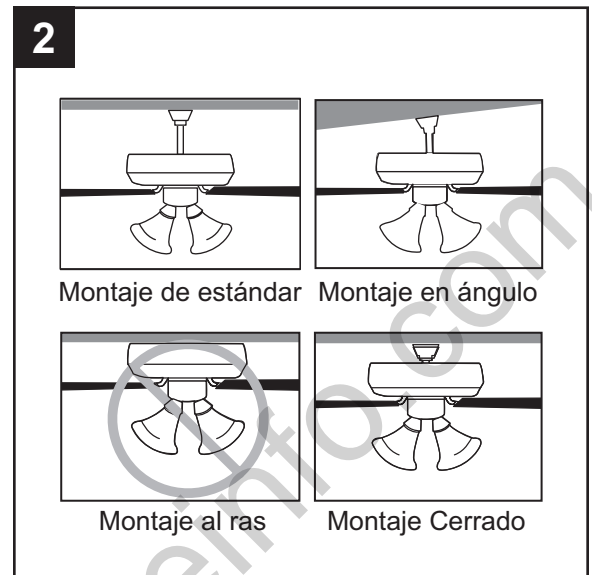


2. Determine el método de instalación que utilizará.

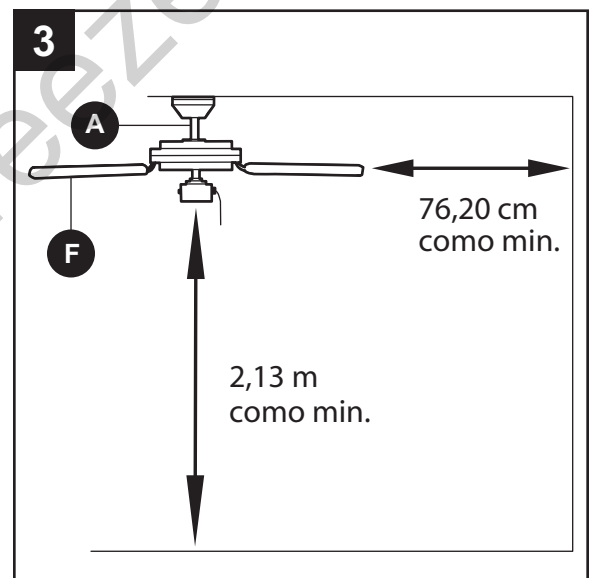
Sugerencia útil: El montaje de varilla es más apropiado para los techos de 2,44 m de alto o de mayor altura. Para techos más altos, se recomienda utilizar una varilla más larga (no incluida). El montaje en ángulo es mejor para los techos en ángulo o de bóveda. En ocasiones, es necesaria una varilla más larga para asegurar una adecuada separación de las aspas.

Nota: La instalación de montaje al ras no está disponible para este artículo.

Importante: Si realiza el montaje en ángulo, verifique que el ángulo del techo no tenga una inclinación superior a los 23°.



3. Asegúrese de que las aspas (F) estén al menos a 76,20 cm de toda obstrucción. También verifique el largo de la varilla (A) para asegurarse de que las aspas (F) estén al menos a 2,13 m por encima del piso.

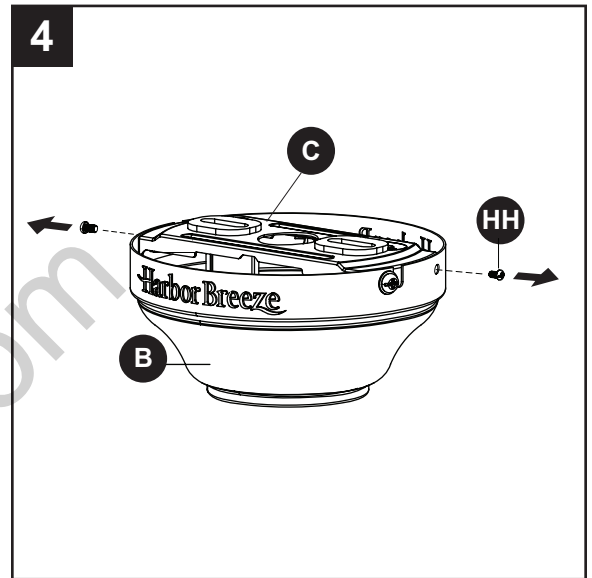


INSTALACIÓN INICIAL

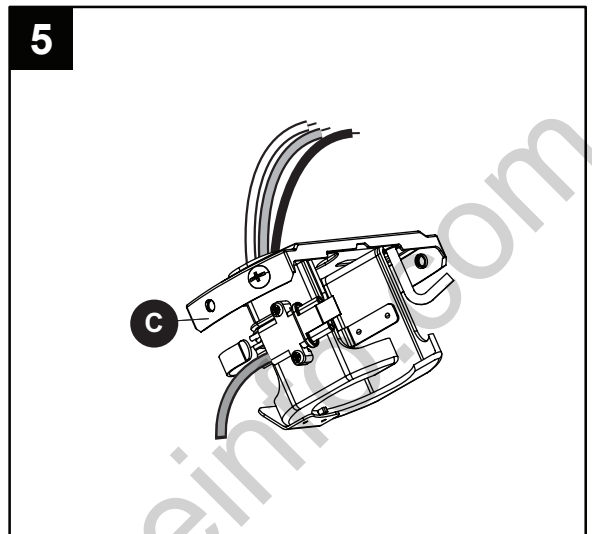
4. Retire los dos tornillos de la abrazadera de montaje (HH) de los orificios redondos de la base. Déjelos a un lado para usarlos posteriormente. Retire la abrazadera de montaje (C) de la base (B).

Aditamentos utilizados

- HH** Tornillo de la abrazadera de montaje x 2
- 

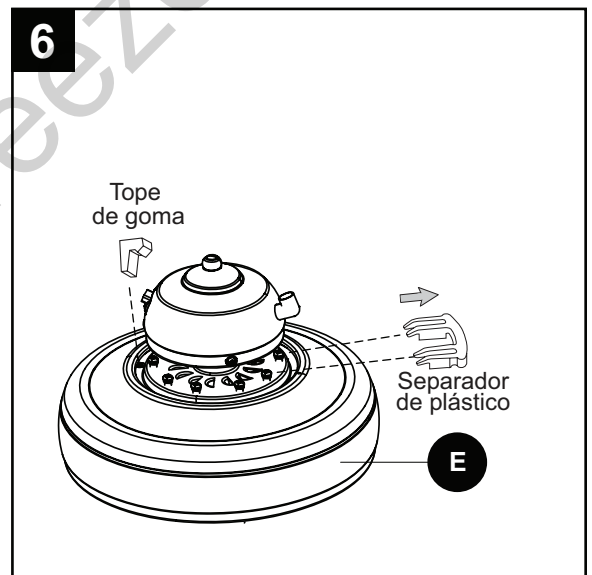


5. Pase el conductor negro, el conductor azul y el conductor blanco del enchufe en la abrazadera de montaje (C) hacia el orificio en la parte superior.



6. Retire y deseche los tres topes de goma y los cinco separadores de plástico del lado inferior del ensamble del motor (E).

Si desea las **Instrucciones de montaje estándar o en ángulo**, continúe a la página 31. Si desea las **instrucciones para montaje cerrado**, siga a la página 34.



INSTRUCCIONES DE MONTAJE EN ÁNGULO Y ESTÁNDAR

⚠️ ADVERTENCIA: para reducir el riesgo de incendios, descargas eléctricas o lesiones personales, los conectores de cables proporcionados con este ventilador están diseñados para soportar solo un cable de la casa de calibre 12 y dos cables conductores del ventilador. Si el cable de la casa es de un calibre superior a 12 o hay más de un cable de la casa para conectar los dos cables conductores del ventilador, pregúntele a un electricista cuál es el tamaño adecuado de los conectores de cables que debe utilizar.

PRECAUCIÓN: Asegúrese de que la caja de salida cuente con la puesta a tierra adecuada o de que haya un cable (verde o desnudo) de tierra.

1. Conecte con los conductores de suministro y abrazadera de montaje (C) según el diagrama y siguiendo estos pasos:
 - Conecte el conductor blanco de la abrazadera de montaje (C) al conductor de suministro blanco.
 - Conecte los conductores azul y negro de la abrazadera de montaje (C) al conductor de suministro negro.
 - Asegure todas las conexiones del cableado junto con los conectores de cables (BB).

Nota: El conductor negro le proporciona energía al ventilador. El conductor blanco es el conductor común. El conductor azul le proporciona energía al kit de iluminación (se vende por separado; las instrucciones de cableado serán distintas si compra el kit de iluminación opcional. Consulte las instrucciones del fabricante del kit de iluminación). El conductor verde es el conductor de puesta a tierra y se conectará posteriormente. Si los conductores interiores son de color diferente a los mencionados anteriormente, deténgase de inmediato. Se recomienda que un electricista profesional determine el cableado adecuado.

Aditamentos utilizados

BB Conector de cables  x 2

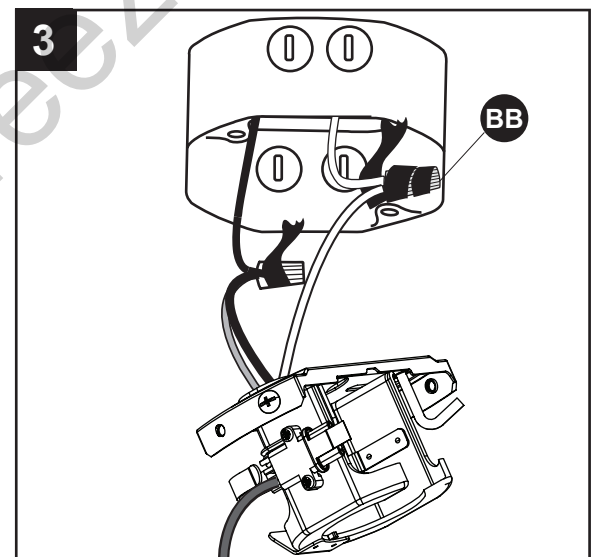
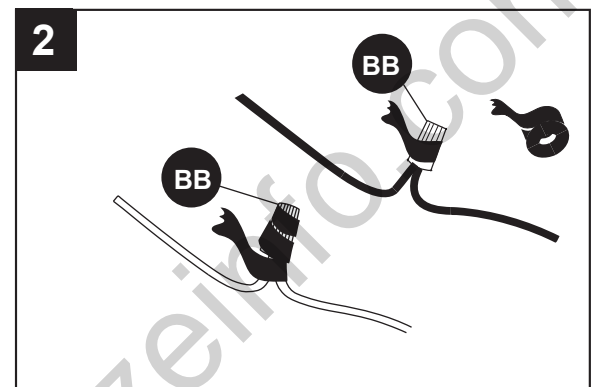
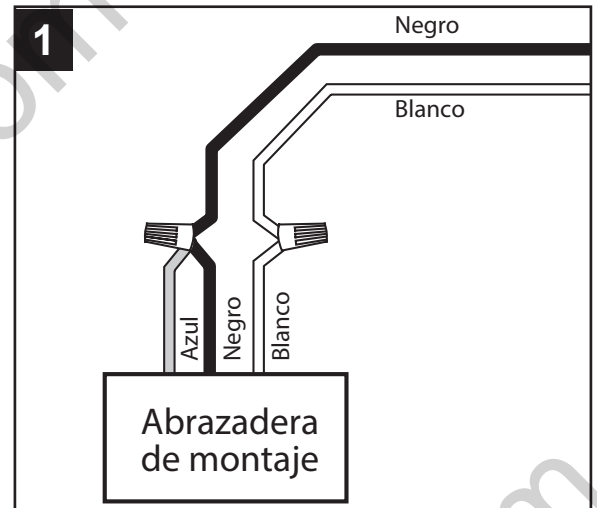
2. Cubra con cinta aislante (no se incluye) cada conector de cables individual (BB) hacia abajo del cable.

Aditamentos utilizados

BB Conector de cables  x 2

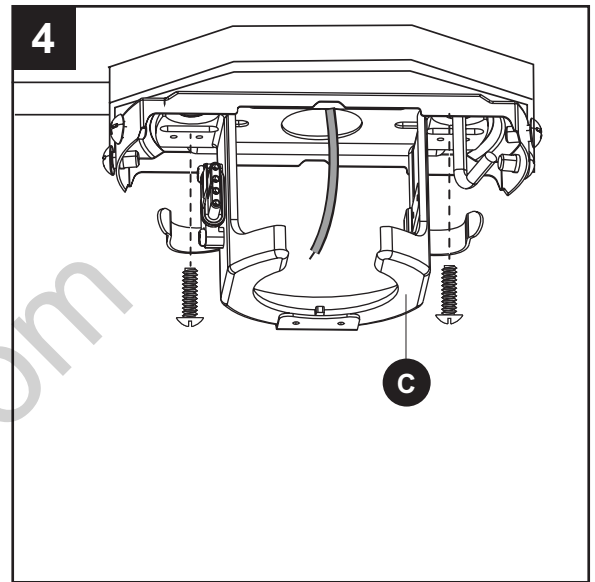
3. Gire los cables empalmados o cubiertos con cinta hacia arriba y empuje suavemente los cables y los conectores de cables (BB) hacia dentro de la caja de salida.

⚠️ ADVERTENCIA: Asegúrese de que no haya conductores desnudos ni filamentos de cables visibles después de realizar las conexiones. Coloque las conexiones de cables verde y blanco en el lado opuesto de la caja de salida con respecto a las conexiones de cables negro y azul.

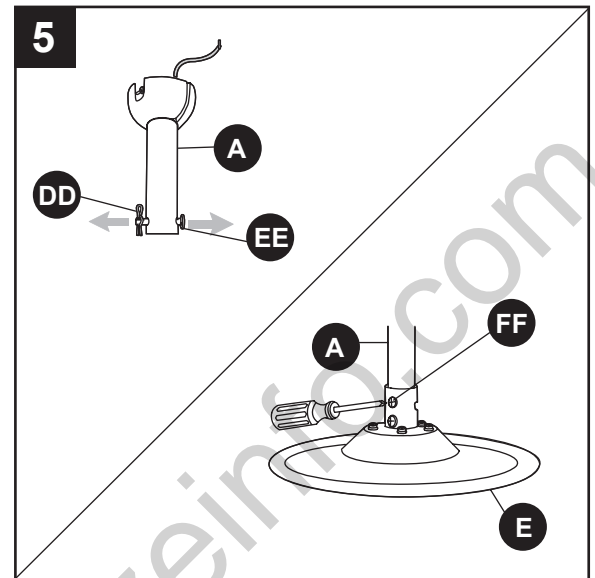


INSTRUCCIONES DE MONTAJE EN ÁNGULO Y ESTÁNDAR

4. Pase el conductor de suministro verde/desnudo (de puesta a tierra) por el orificio en la parte superior de la abrazadera de montaje (C). Asegure la abrazadera de montaje (C) a la caja de salida con los tornillos y las arandelas que incluye la caja de salida.



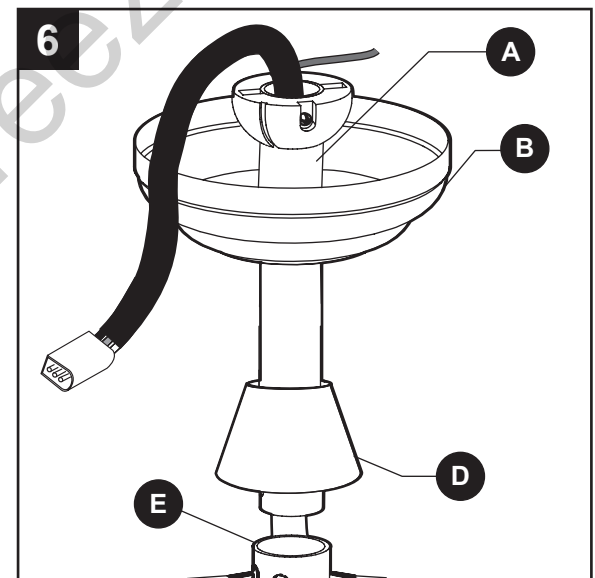
5. Retire el pasador de la varilla (EE) y el sujetador de la varilla (DD) de la varilla (A). Luego afloje parcialmente los tornillos de ajuste de la carcasa del motor (FF) que se encuentran en la horquilla de la parte superior de la carcasa del motor (E).



Aditamentos utilizados

DD	Sujetador de la varilla		x 1
EE	Pasador de la varilla		x 1
FF	Tornillo de ajuste de la carcasa del motor		x 2




6. Inserte la varilla (A) a través de la base (B) y la cubierta de la horquilla (D). Pase los cables desde el ensamblaje del motor (E) a través de la varilla (A).



INSTRUCCIONES DE MONTAJE EN ÁNGULO Y ESTÁNDAR

7. Deslice la varilla (A) por la horquilla del ensamblaje del motor (E), alinee los orificios y vuelva a instalar el sujetador de la varilla (EE) y el pasador de la varilla (EE). Luego vuelva a apretar los tornillos de ajuste de la carcasa del motor (FF).

Aditamentos utilizados

- | | | | |
|-----------|--|---|-----|
| DD | Sujetador de la varilla |  | x 1 |
| EE | Pasador de la varilla |  | x 1 |
| FF | Tornillo de ajuste de la carcasa del motor |  | x 2 |

8. Instale el extremo con la varilla (A) en la abertura de la abrazadera de montaje (C). Alinee la ranura de la bola con la lengüeta de la abrazadera de montaje (C). La varilla no debe girar si esto se hace correctamente.

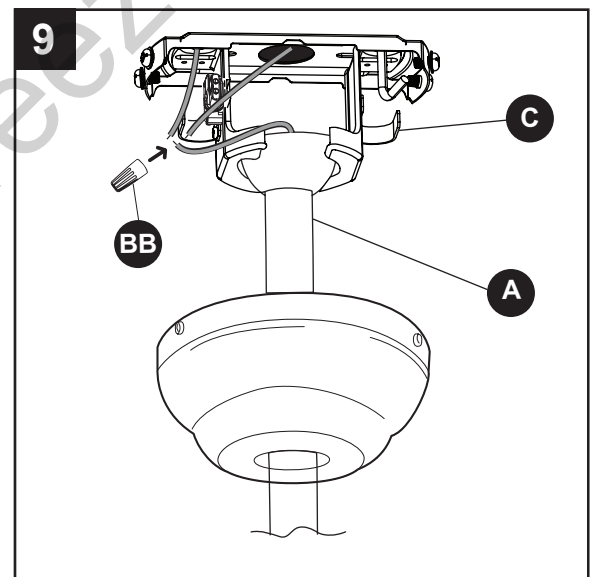
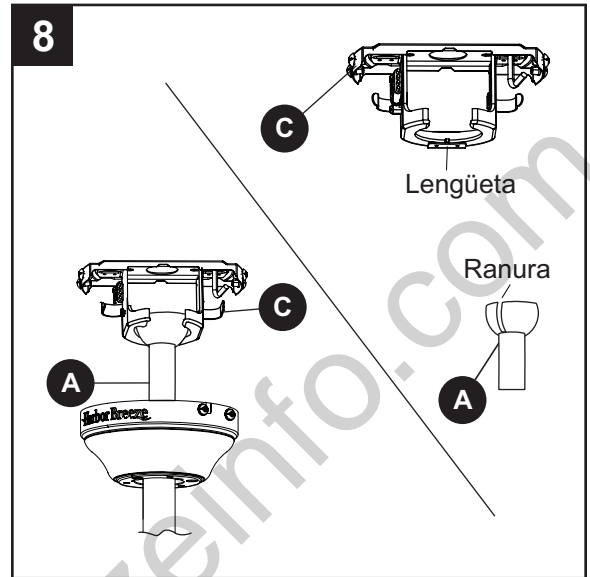
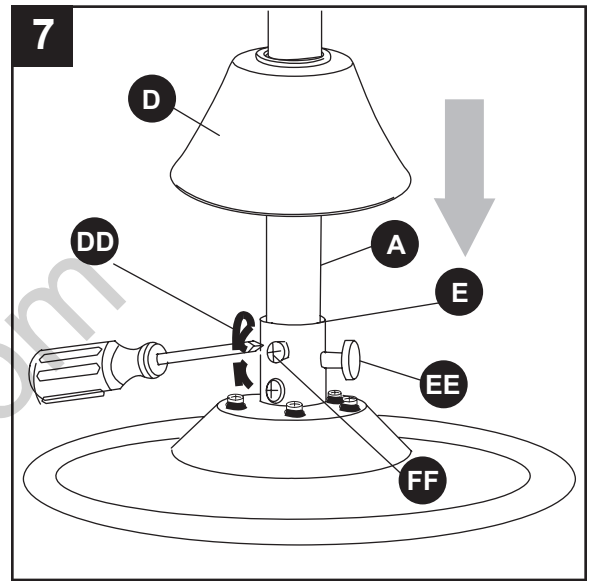
⚠ PELIGRO: Si no alinea la ranura de la bola con la lengüeta, pueden producirse lesiones graves o la muerte.

9. Conecte los conductores verdes de la varilla (A) y de la abrazadera de montaje (C) al conductor de suministro desnudo/verde (de puesta a tierra) con un conector para cables (BB).

Luego, cubra con cinta aislante (no se incluye) cada conector de cables individual (BB) hacia abajo del cable. Gire los cables empalmados o cubiertos con cinta hacia arriba y empuje suavemente los cables y los conectores de cables (BB) hacia dentro de la caja de salida.

Prosiga con la **Instalación final** en la página 37.

- | | | | |
|-----------|--------------------|---|-----|
| BB | Conector de cables |  | x 1 |
|-----------|--------------------|---|-----|



INSTRUCCIONES PARA MONTAJE CERRADO

⚠ ADVERTENCIA: Para reducir el riesgo de incendios, descargas eléctricas o lesiones personales, los conectores de cables proporcionados con este ventilador están diseñados para soportar solo un cable de la casa de calibre 12 y dos cables conductores del ventilador. Si el cable de la casa es de un calibre superior a 12 o hay más de un cable de la casa para conectar los dos cables conductores del ventilador, pregúntele a un electricista cuál es el tamaño adecuado de los conectores de cables que debe utilizar.

PRECAUCIÓN: Asegúrese de que la caja de salida cuente con la puesta a tierra adecuada o de que haya un cable (verde o desnudo) de tierra.

1. Conecte con los conductores de suministro y abrazadera de montaje (C) según el diagrama y siguiendo estos pasos:
 - Conecte el conductor verde de la abrazadera de montaje (C) al conductor de suministro desnudo/verde.
 - Conecte el conductor blanco de la abrazadera de montaje (C) al conductor de suministro blanco.
 - Conecte los conductores azul y negro de la abrazadera de montaje (C) al conductor de suministro negro.
 - Asegure todas las conexiones del cableado junto con los conectores de cables (BB).

Nota: El conductor negro le proporciona energía al ventilador. El conductor blanco es el conductor común. El conductor azul le proporciona energía al kit de iluminación (se vende por separado; las instrucciones de cableado serán distintas si compra el kit de iluminación opcional. Consulte las instrucciones del fabricante del kit de iluminación). El conductor verde es el conductor de puesta a tierra. Si los conductores interiores son de color diferente a los mencionados anteriormente, deténgase de inmediato. Se recomienda que un electricista profesional determine el cableado adecuado.

Aditamentos utilizados

BB Conector de cables  x 3

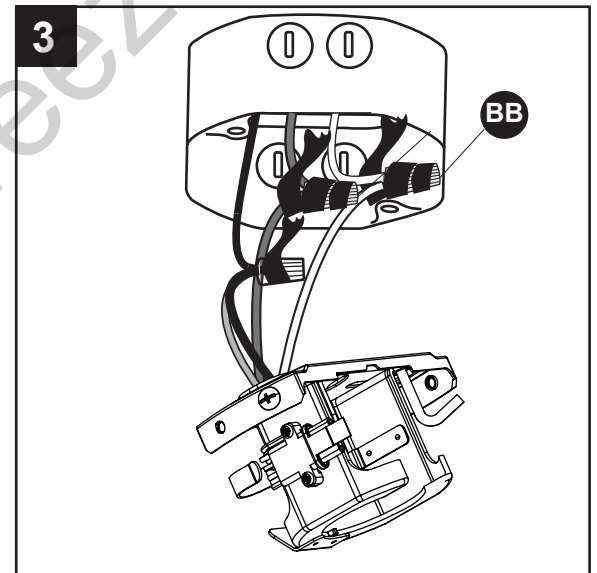
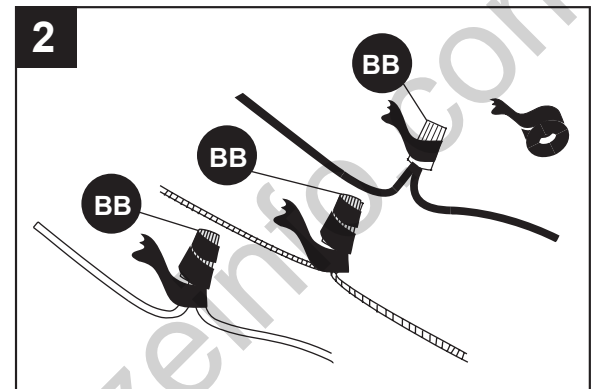
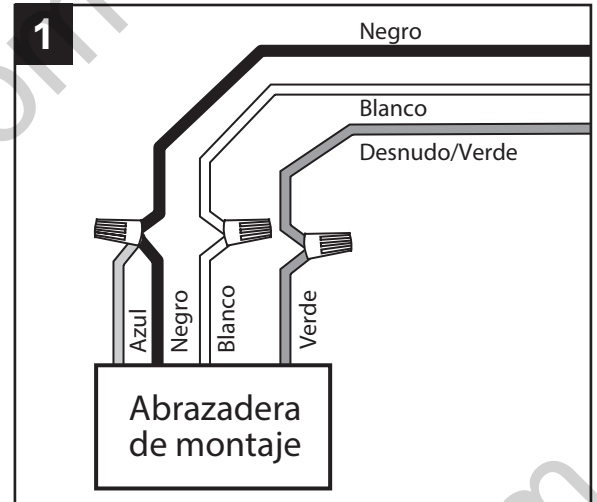
2. Cubra con cinta aislante (no se incluye) cada conector de cables individual (BB) hacia abajo del cable.

Aditamentos utilizados

BB Conector de cables  x 3

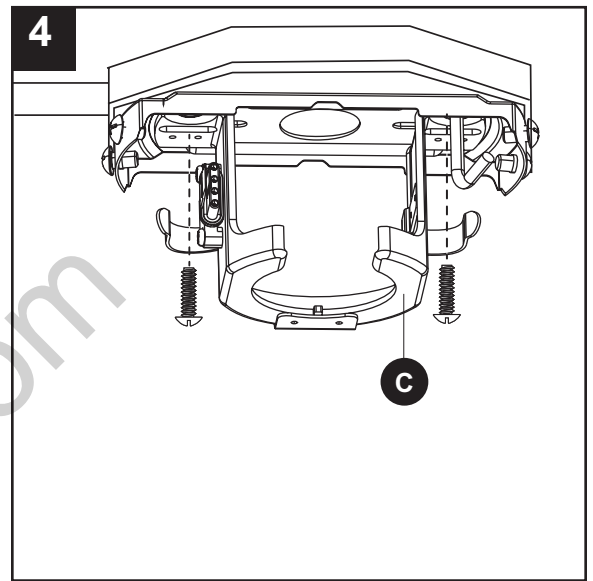
3. Gire los cables empalmados o cubiertos con cinta hacia arriba y empuje suavemente los cables y los conectores de cables (BB) hacia dentro de la caja de salida.

⚠ ADVERTENCIA: Asegúrese de que no haya conductores desnudos ni filamentos de cables visibles después de realizar las conexiones. Coloque las conexiones de cables verde y blanco en el lado opuesto de la caja de salida con respecto a las conexiones de cables negro y azul.



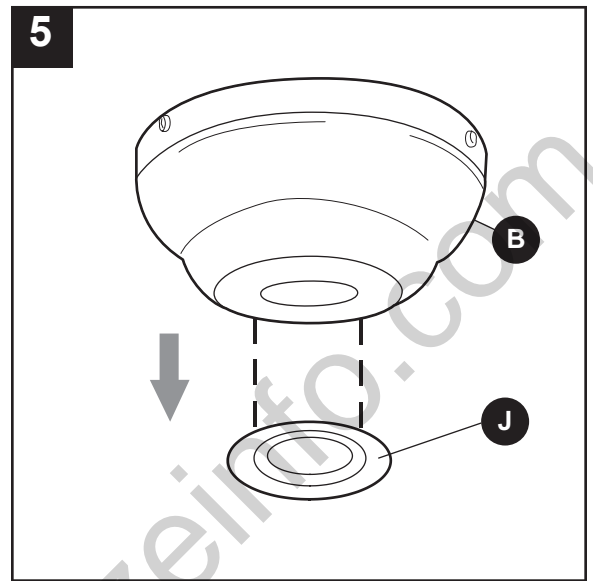
INSTRUCCIONES PARA MONTAJE CERRADO

4. Pase el conductor de suministro verde/desnudo (de puesta a tierra) por el orificio en la parte superior de la abrazadera de montaje (C). Asegure la abrazadera de montaje (C) a la caja de salida con los tornillos y las arandelas que incluye la caja de salida.

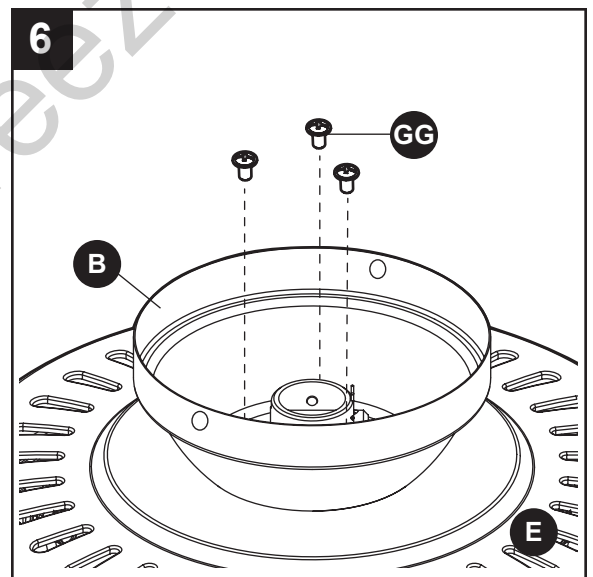


5. Retire la cubierta de la base (J) de la parte inferior de la base (B).

Consejo útil: El estilo de montaje cerrado es más adecuado para los techos de menos de 2,44 m (8 pies) de alto. La varilla, la bola para colgar y la cubierta de la base no se utilizan en este tipo de instalación.



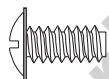
6. Retire los tornillos de montaje cerrado (GG) de la parte superior del ensamble del motor (E). Alinee la base (B) con los orificios de la parte superior del ensamblaje del motor (E). Fije la base (B) a la parte superior del ensamblaje del motor (E) con los tornillos de montaje cerrado (GG).



Aditamentos utilizados

GG

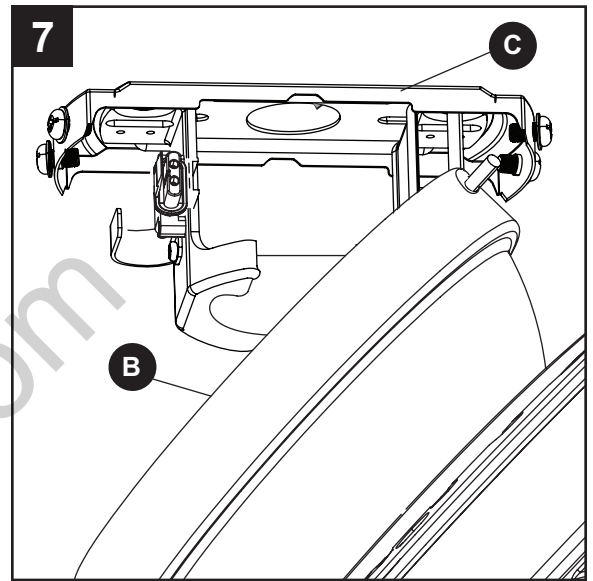
Tornillo de
montaje
cerrado



x 1

INSTRUCCIONES PARA MONTAJE CERRADO

7. Levante el ventilador y coloque la base (B) en el gancho de la abrazadera de montaje (C).



harborbreezeinfo.com

harborbreezeinfo.com

INSTALACIÓN FINAL

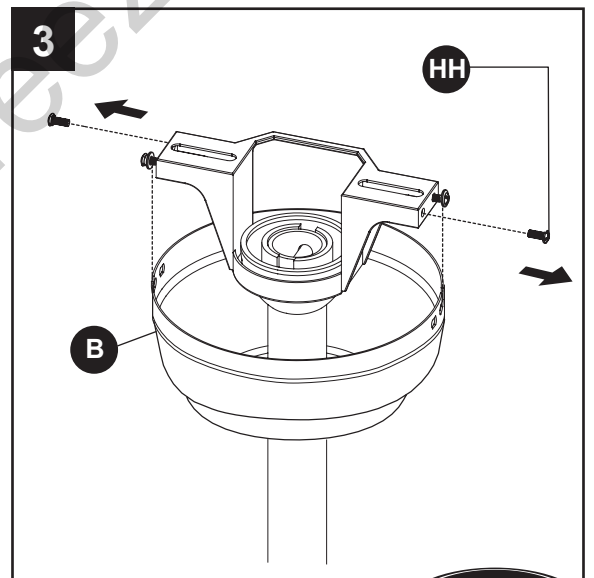
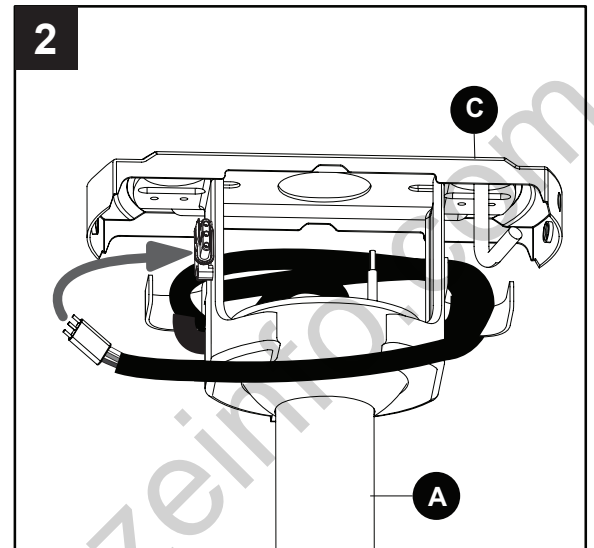
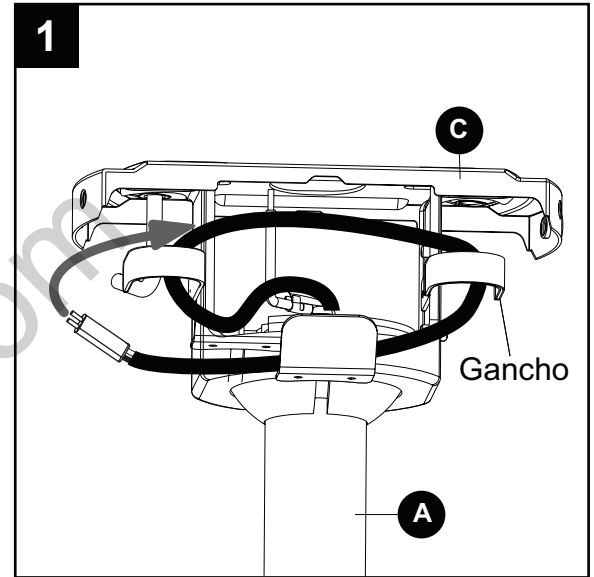
Nota: Se hace referencia/se muestra la varilla (A), pero las instrucciones se aplican a las instalaciones estándar y a las de montaje cerrado.

1. Envuelva el arnés de cableado que proviene de la varilla (A) alrededor de los ganchos en la parte posterior de la abrazadera de montaje (C).

Nota: El arnés de cableado más largo se adapta a varillas más largas (se vende por separado).

2. Conecte el conector del pasador de la abrazadera de montaje (C) al conector del pasador al extremo del arnés de cableado.

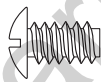
3. Alinee los orificios de la base (B) con la cabeza de los tornillos de la abrazadera de montaje (HH) preinstalados en la abrazadera de montaje (C). Levante la base (B) y gírela en dirección de las manecillas del reloj hasta que los tornillos de la abrazadera de montaje (HH) calcen por completo en los chaveteros.



Aditamentos utilizados

HH

Tornillo de la abrazadera de montaje



x 2

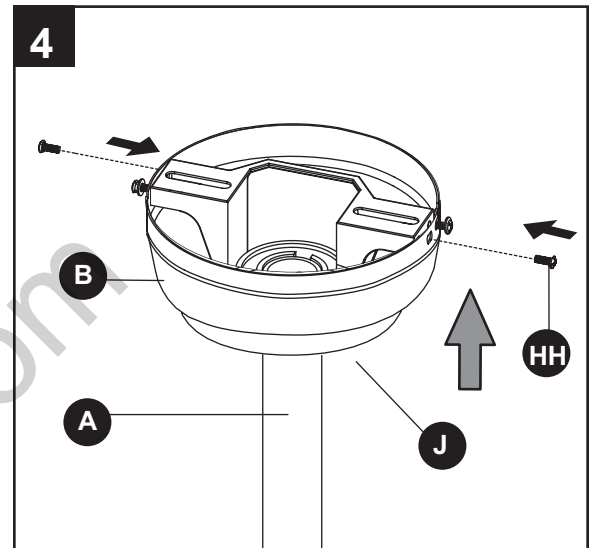


INSTALACIÓN FINAL

4. Asegure la base (B) con los tornillos del soporte de montaje (HH) que retiró anteriormente. Apriete firmemente los cuatro tornillos del soporte de montaje (HH).

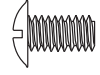
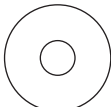
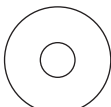
Aditamentos utilizados

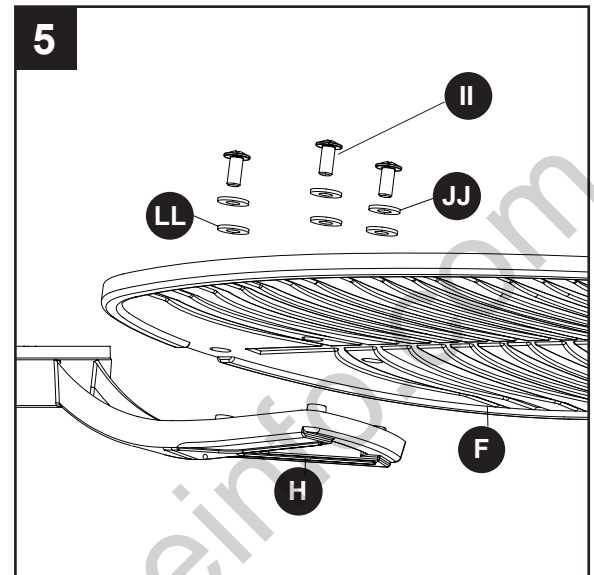
HH	Tornillo de la abrazadera de montaje		x 4
-----------	--------------------------------------	---	-----



5. Inserte parcialmente tres tornillos para aspas (II), junto con tres arandelas para aspas (JJ) y tres arandelas de goma (LL) para fijar un brazo del aspa (H) a un aspa (F). Luego, apriete cada uno de los tornillos para aspas (II); comience por el que está en el centro. Repita el procedimiento con el resto de las aspas (F).

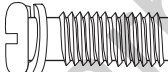
Aditamentos utilizados

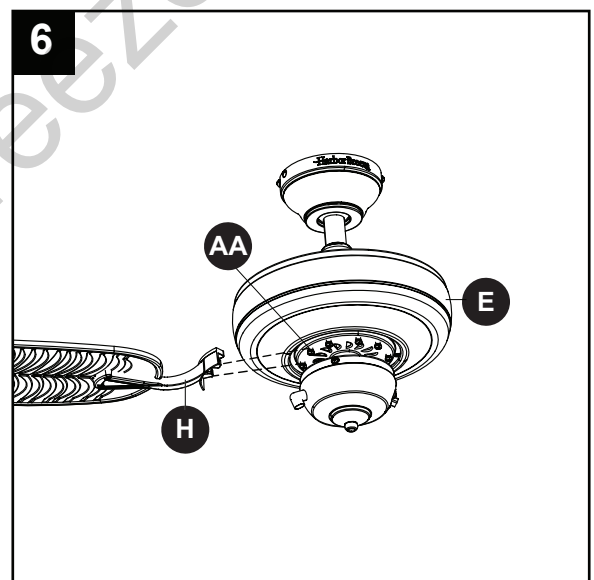
II	Tornillo del aspa		x 15
JJ	Arandela del aspa		x 15
LL	Arandela de goma		x 15



6. Deslice los dos orificios en el brazo del aspa (H) sobre los tornillos del motor (AA) preensambladas en la carcasa del motor (E). Apriete los tornillos del motor (AA) para asegurar el brazo del aspa (H). Repita para los brazos de las aspas (H) restantes.

Aditamentos utilizados

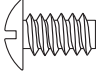
AA	Tornillo del motor		x 10
-----------	--------------------	---	------

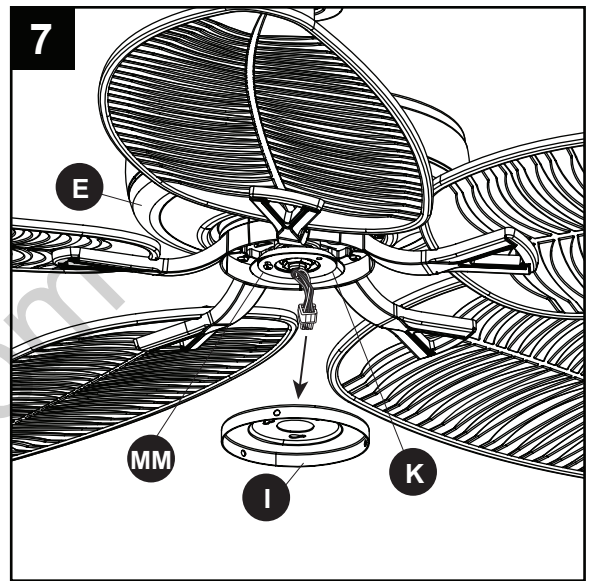


INSTALACIÓN FINAL

7. Retire uno de los tornillos de la placa de la carcasa del interruptor (MM) de la placa de la carcasa del interruptor (K) y afloje los otros dos tornillos (sin sacarlos). Inserte los cables desde el ensamblaje del motor (E) a través del orificio de la carcasa del interruptor (I).

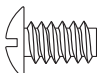
Aditamentos utilizados

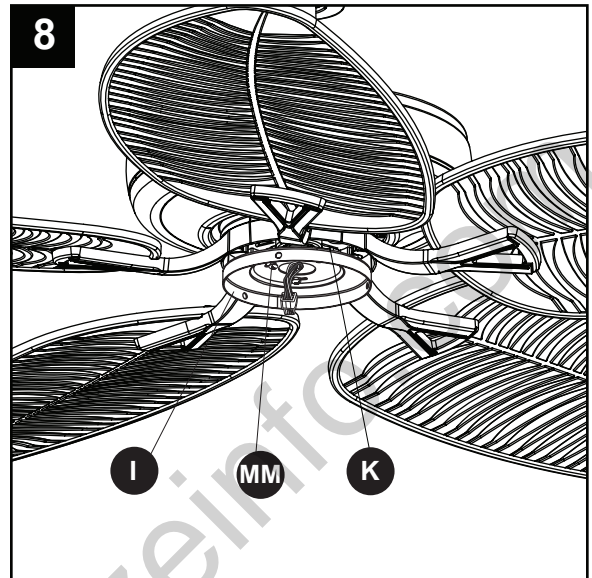
- MM** Tornillo de la placa del a carcasa del interruptor  x 3



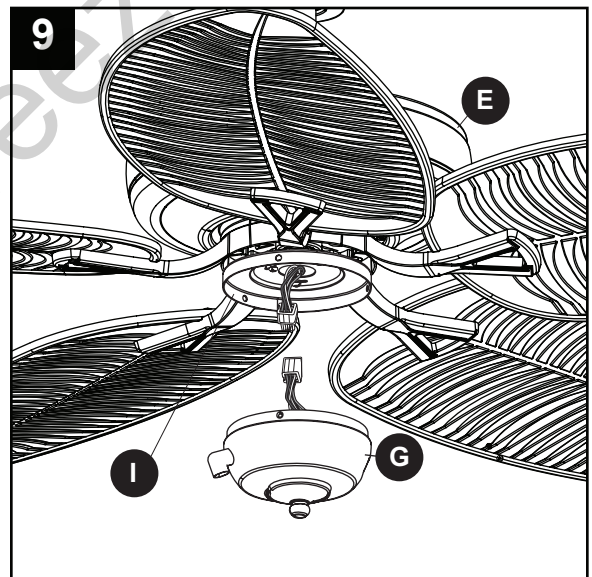
8. Fije la placa de soporte (I) a la placa de la carcasa del interruptor (K); lo puede hacer ubicando los orificios del chavetero de la placa de soporte (I) en los dos tornillos sueltos de la placa de la carcasa del interruptor (MM). Gire la placa de soporte (I) hasta que las cabezas de los tornillos calcen con los chaveteros. Vuelva a instalar el tercer tornillo de la placa de la carcasa del interruptor (MM) en el orificio cerrado de la placa de soporte (I) y apriete firmemente los tres tornillos de la placa de la carcasa del interruptor (MM).

Aditamentos utilizados

- MM** Tornillo de la placa del a carcasa del interruptor  x 3



9. Conecte el enchufe del ensamblaje de motor (E) al enchufe de la carcasa del interruptor (G), y asegúrese de que las conexiones estén firmes.

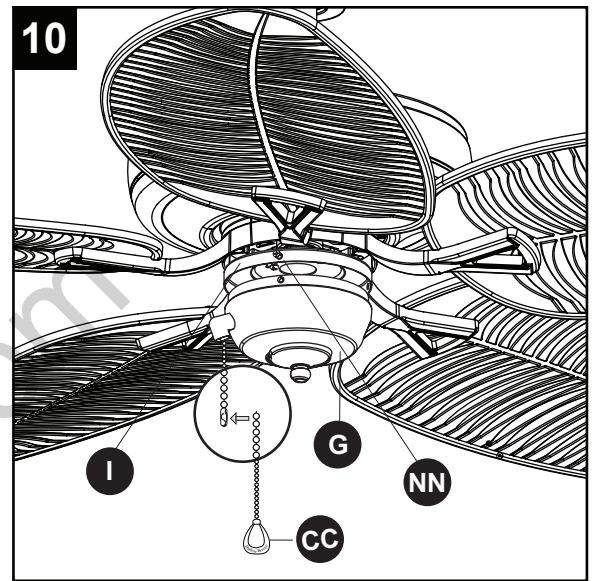


INSTALACIÓN FINAL

10. Asegure la carcasa del interruptor (G) a la placa de soporte (I) con los tornillos de la carcasa del interruptor (NN). Luego, conecte la extensión de la cadena de tiro (CC) apropiada a la cadena de tiro del ventilador.

Aditamentos utilizados

- CC** Extensión para la cadena de tiro x 1
- NN** Tornillo de la carcasa del interruptor x 3



INSTRUCCIONES DE FUNCIONAMIENTO

1. La cadena de tiro marcada como "FAN" (VENTILADOR) tiene cuatro posiciones para controlar la velocidad. Jale una vez para la posición HIGH (ALTA); dos para la posición MEDIUM (MEDIA); tres para la posición LOW (BAJA); y cuatro para la posición OFF (APAGADO) que apaga el ventilador.
2. Utilice el interruptor de reversa del ventilador, ubicado en la carcasa del interruptor del soporte del juego de iluminación (G), para optimizar el rendimiento de su ventilador según la estación del año.

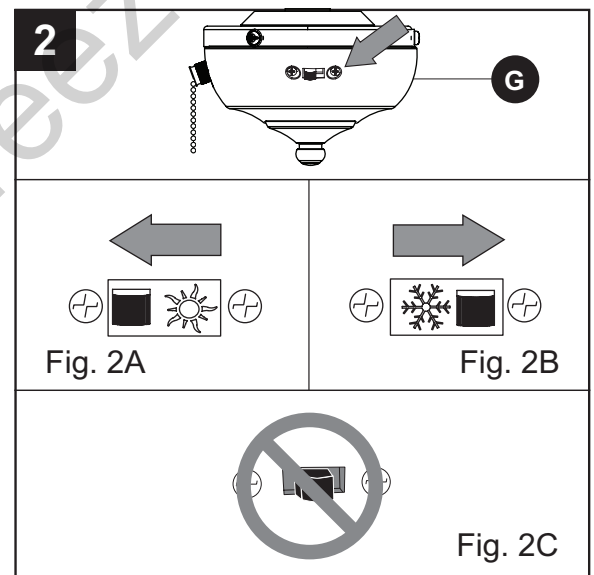
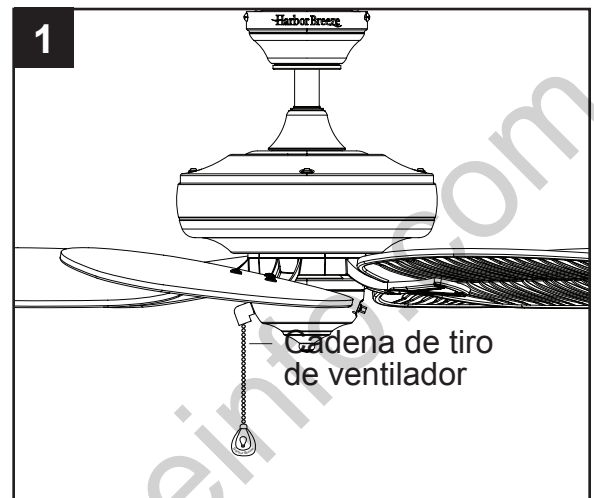
El uso de un ventilador de techo le permitirá elevar la configuración de su termostato en verano y disminuirla en invierno, sin sentir una diferencia en su comodidad.

Nota: Espere a que el ventilador se detenga antes de mover el interruptor de reversa.

2A. En climas más cálidos, presione el interruptor de reversa hacia la izquierda y verá un icono de un sol, lo que creará un flujo de aire descendente que generará un efecto de viento refrescante.

2B. En climas más fríos, deslice el interruptor de reversa hacia la derecha y verá un icono de copo de nieve, que creará un flujo de aire ascendente que puede ayudar a mover el aire caliente estancado fuera del área del techo.

Importante: El interruptor de reversa se debe deslizar completamente hacia la derecha o hacia la izquierda para que el ventilador funcione. Si el interruptor de reversa se configura en la posición del medio, el ventilador no funcionará (Fig. 2C).



CUIDADO Y MANTENIMIENTO

Al menos dos veces al año, baje la base para revisar en ensamble de la varilla, y luego apriete todos los tornillos en el ventilador. Limpie la carcasa del motor solo con un cepillo suave o un paño sin pelusas para evitar rayar el acabado. Limpie las aspas con un paño sin pelusas. De vez en cuando puede aplicar una fina capa de cera para muebles en las aspas de madera para darles más protección.

Importante: Antes de realizar cualquier trabajo de mantenimiento, desconecte el suministro de electricidad principal. No utilice agua ni un paño húmedo para limpiar el ventilador.

SOLUCIÓN DE PROBLEMAS

PROBLEMA	CAUSA POSIBLE	ACCIÓN CORRECTIVA
El ventilador no se mueve.	<ol style="list-style-type: none">1. El interruptor de réversa no está activado.2. El interruptor de pared se apagó.3. No hay suministro de electricidad o hay un fusible (interruptor) quemado.4. Una conexión de los cables no es la correcta.	<ol style="list-style-type: none">1. Mueva firmemente el interruptor de reversa hacia la izquierda o hacia la derecha.2. Asegúrese de que el interruptor de pared esté encendido.3. Encienda el suministro eléctrico o verifique el fusible (interruptor).4. Desactive la alimentación eléctrica y revise todas las conexiones de la caja de salida del techo.
El ventilador hace ruido.	<ol style="list-style-type: none">1. Las aspas están sueltas.2. Hay una aspa partida.3. El control de pared no es compatible con el ventilador.4. No se supera el período de asentamiento.5. La caja de salida no está asegurada.6. La abrazadera de montaje no está asegurada.	<ol style="list-style-type: none">1. Revise y apriete todos los tornillos que sostienen las aspas del ventilador en los brazos de las aspas y en el motor.2. Reemplace la aspa partida.3. No use un regulador de intensidad de rango completo para controlar la velocidad del ventilador.4. Haga funcionar el ventilador de 24 a 48 horas continuamente a velocidad media o alta durante el período de "asentamiento".5. Revise que la caja de salida esté asegurada a la estructura del edificio.6. Asegúrese de que la abrazadera de montaje esté fija en la caja de salida y que los tornillos estén apretados.



SOLUCIÓN DE PROBLEMAS

PROBLEMA	CAUSA POSIBLE	ACCIÓN CORRECTIVA
<p>Hay un tambaleo excesivo.</p>	<ol style="list-style-type: none"> 1. Una o varias aspas están flojas. 2. Las aspas no están equilibradas. 3. El montaje del ventilador no está asegurado. 4. The fan is too close to the vaulted ceiling. 5. The set screw on the motor housing yoke is loose. 	<ol style="list-style-type: none"> 1. Revise y apriete todos los tornillos que sostienen las aspas del ventilador en los brazos de las aspas y en el motor. 2. Intercambie un aspa con otra del lado opuesto. O equilibre el ventilador mediante el kit de equilibrio (no se incluye). 3. Desconecte el suministro de electricidad. Afloje la base y verifique que la abrazadera de montaje esté asegurada en la caja de salida eléctrica. La abrazadera debe estar al ras de la caja de salida y no debe moverse. 4. Use a longer downrod or move the fan to another location. 5. Lift up the yoke cover and tighten the set screw to the yoke until secure.



GARANTÍA LIMITADA DE POR VIDA

El fabricante garantiza que este ventilador no presenta defectos de mano de obra ni de materiales en el momento del transporte desde la fábrica durante un período de por vida a partir de la fecha de compra del comprador original. El comercio minorista también garantiza que las demás piezas del ventilador, con excepción de cualquier aspa de vidrio o plexiglás, no presentan defectos de mano de obra ni de materiales en el momento del transporte desde la fábrica, durante un período de un año a partir de la fecha de compra por parte del comprador original. El fabricante acepta reparar dichos defectos sin cargo o, a su elección, reemplazar el ventilador de techo por un modelo comparable o superior.

Para obtener el servicio de garantía, presente una copia del recibo como comprobante de la compra. Todos los costos de retiro y reinstalación del producto son su responsabilidad. Esta garantía no se aplica a ningún daño que se produzca en cualquier pieza del producto como consecuencia de un accidente, uso indebido o instalación incorrecta, o causado por elementos accesorios. El fabricante no asume ningún tipo de responsabilidad por la instalación del ventilador durante la garantía limitada de por vida. Cualquier servicio realizado por una persona no autorizada invalidará la garantía.

Debido a las cambiantes condiciones climáticas, esta garantía no cubre cambios en el acabado de latón, incluidos la oxidación, las picaduras, la corrosión, el deslustre o el descascarado. Los acabados de latón de este tipo proporcionan una vida útil más prolongada si se los protege de las cambiantes condiciones climáticas. La garantía no cubre los elementos de vidrio incluidos con este ventilador.

Cualquier reemplazo de piezas defectuosas para el ventilador de techo debe informarse dentro del primer año posterior a la fecha de compra. Para conocer el saldo de la garantía, llame a nuestro departamento de servicio al cliente y obtenga la autorización de la devolución e instrucciones de envío de modo que podamos reparar o reemplazar el ventilador de techo. Cualquier ventilador o piezas devueltos de forma incorrecta son responsabilidad única del comprador. No existen otras garantías explícitas. El fabricante rechaza cualquier y todas las garantías. La duración de cualquier garantía implícita que no se pueda rechazar se limita al período de tiempo especificado en la garantía expresa. El fabricante no será responsable por daños incidentales, resultantes o especiales que surjan en relación con el uso o el rendimiento del producto, excepto que la ley indique lo contrario. Esta garantía le otorga derechos legales específicos, pero podría tener, también, otros derechos que varían según el estado.

Esta garantía sustituye cualquier garantía previa.

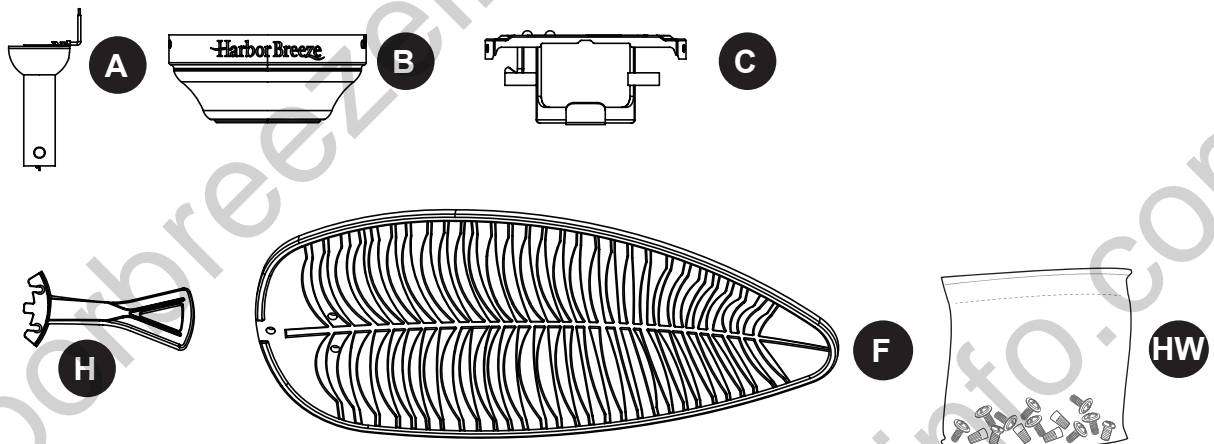
Nota: Un cierto "tambaleo" es normal y no se debe considerar como un defecto.



LISTA DE PIEZAS DE REPUESTO

Para obtener piezas de repuesto, llame a nuestro Departamento de Servicio al Cliente al 1-800-643-0067, de lunes a viernes de 8 a.m. a 6 p.m., y los viernes de 8 a.m. a 5 p.m., hora estándar del Este.

PIEZA	DESCRIPCIÓN	PIEZA #
A	Varilla	0451809-A
B	Base	0451809-B
C	Abrazadera de montaje	0451809-C
H	Brazo del aspa	0451809-H
F	Aspa	0451809-F
HW	Kit de aditamentos	0451809-HW



Impreso en China

Harbor Breeze® es una marca registrada de LF, LLC.
Todos los derechos reservados.