

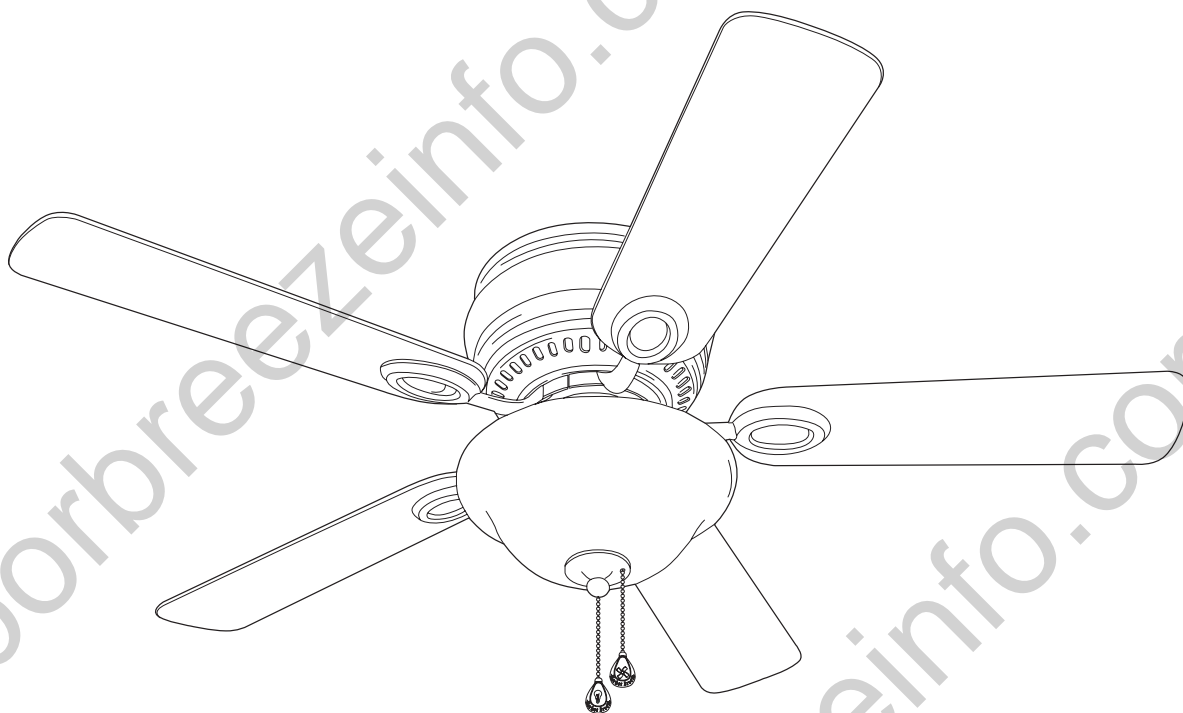


MAYFIELD CEILING FAN

Harbor Breeze® is a registered trademark of LF, LLC. All Rights Reserved.

MODEL #BTH44AB5CS

español p. 19



ATTACH YOUR RECEIPT HERE

Serial Number _____ **Purchase Date** _____



Questions, problems, missing parts? Before returning to your retailer, call or contact our customer service department at **1-800-527-1292**, 8:30 a.m. - 5:00 p.m., CST, Monday - Friday.

TABLE OF CONTENTS

Safety Information	2 - 3
Package Contents	4
Hardware Contents	5
Preparation	5
Initial Installation	6 - 7
Wiring	8 - 9
Final Installation	10 - 13
Installing Fan Without Included Light Kit (Optional)	13 - 14
Operation Instructions	14 - 15
Care and Maintenance	16
Troubleshooting	16 - 17
Warranty	17
Replacement Parts List	18



SAFETY INFORMATION

READ AND SAVE THESE INSTRUCTIONS

Please read and understand this entire manual before attempting to assemble, install or operate the product. If you have any questions regarding the product, please call customer service at **1-800-527-1292**, 8:30 a.m.- 5:00 p.m., CST, Monday - Friday.

- Do not discard fan carton or foam inserts. Should this fan need to be returned to the factory for repairs, it must be shipped in its original packaging to ensure proper protection against damage that might exceed the initial cause for return.
- Make sure that all electrical connections comply with local codes, ordinances, the National Electrical Code and ANSI/NFPA 70-1999. Hire a qualified electrician or consult a do-it-yourself wiring handbook, available at Lowe's, if you are unfamiliar with installing electrical wiring.
- Make sure the installation site you choose allows a minimum clearance of 7 feet from the blades to the floor and at least 30 in. from the end of the blades to any obstruction.
- After you install the fan, make sure that all connections are secure to prevent the fan from falling.
- The net weight of this fan including the light kit is: 13.01 lbs. (5.9 kg).

WARNINGS



To reduce the risk of fire, electrical shock, or personal injury, mount fan to outlet box marked "ACCEPTABLE FOR FAN SUPPORT OF 35 LBS (15.9 KG) OR LESS" and use mounting screws provided with the outlet box. Most outlet boxes commonly used for the support of lighting fixtures are not acceptable for fan support and may need to be replaced. Consult a qualified electrician if in doubt.

When mounting fan to a ceiling outlet box, use a METAL octagonal outlet box. Secure the outlet box directly to the building structure. The outlet box and its support must be able to support the moving weight of the fan (at least 35 lbs.). Do NOT use a plastic outlet box.

To avoid personal injury, the use of gloves may be necessary while handling fan parts with sharp edges.

To reduce the risk of fire, electrical shock, or personal injury, wire connectors provided with this fan are designed to accept only one 12-gauge house wire and two lead wires from the fan. If your house wire is larger than 12-gauge or there is more than one house wire to connect to the two fan lead wires, consult an electrician for the proper size wire connectors to use.

To reduce the risk of fire or electrical shock, do not use the fan with any solid state speed control device or control fan speed with a full range dimmer switch.

To reduce the risk of fire, electrical shock, or personal injury, do not bend the blade arms when installing them, balancing the blades, or cleaning the fan. Do not insert objects between the rotating fan blades.

To reduce the risk of personal injury, use **only** parts provided with this fan. **The use of parts OTHER than those provided with this fan will void the warranty.**

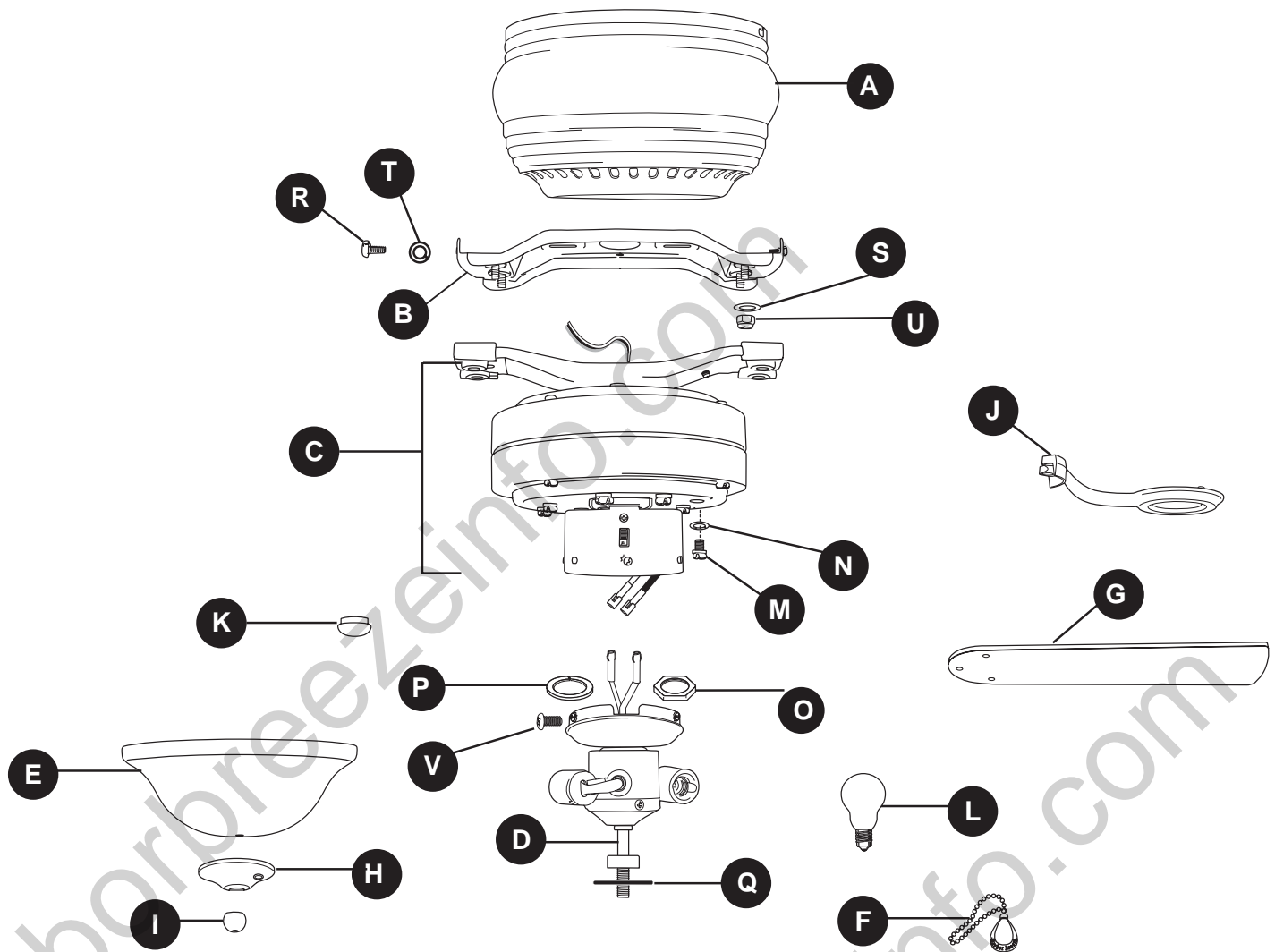
CAUTIONS

Before proceeding, be sure to shut off electricity at main switch or circuit breaker in order to avoid electrical shock.

Read all instructions and safety information before installing your new fan. Review the accompanying assembly diagrams.

RISK OF SHOCK, The molex safety caps should not be removed unless a light kit will be immediately installed and that power should be turned off prior to molex safety cap removal and light kit installation.

PACKAGE CONTENTS



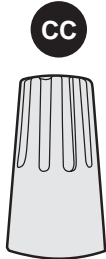


PART	DESCRIPTION	QUANTITY
A	Motor Housing	1
B	Mounting Bracket	1
C	Motor Assembly	1
D	Light Kit Fitter	1
E	Glass Shade	1
F	Pull Chain Extension	2
G	Blade	5
H	Finial Plate	1
I	Finial	1
J	Blade Arm	5
K	Cap	1
L	Candelabra Base Bulb	3
M	Motor Screw (preassembled)	10 + 1 extra

PART	DESCRIPTION	QUANTITY
N	5.4 M/M Lock Washer (preassembled)	10 + 1 extra
O	Hex Nut (preassembled)	1
P	Lock Washer (preassembled)	1
Q	Rubber Washer (preassembled)	1
R	Motor Housing Mounting Screw (preassembled)	4
S	Mounting Bracket Flat Washer (preassembled)	4
T	Motor Housing Lock Washer (preassembled)	4
U	Mounting Bracket Nut (preassembled)	4
V	Switch Housing Cap Screw (preassembled)	3

⚠ IMPORTANT REMINDER: You must use the parts provided with this fan for proper installation and safety. **⚠**

HARDWARE CONTENTS (shown actual size)

		
Blade Screw	Fiber Blade Washer	E3 Wire Connector
Qty. 15 + 1 extra	Qty. 15 + 1 extra	Qty. 4

PREPARATION

Before beginning assembly of product, make sure all parts are present. Compare parts with package contents list and hardware contents above. If any part is missing or damaged do not attempt to assemble the product. Contact customer service for replacement parts.

Estimated Assembly Time: 120 minutes

Tools Required for Assembly (not included): Electrical Tape, Phillips Screwdriver, Pliers, Safety Glasses, Stepladder and Wire Strippers

Helpful Tools (not included): AC Tester Light, Tape Measure, Do-It-Yourself-Wiring Handbook (available at Lowe's), and Wire Cutters

Bulbs Required (included): 3 candelabra base 40-watt max. bulbs

⚠ DANGER: When using an existing outlet box, make sure the outlet box is securely attached to the building structure and can support the full weight of the fan. Failure to do this can result in serious injury or death. The stability of the outlet box is essential in minimizing wobble and noise in the fan after installation is complete.

⚠ CAUTION: Be sure outlet box is properly grounded and that a ground wire (green or bare) is present.

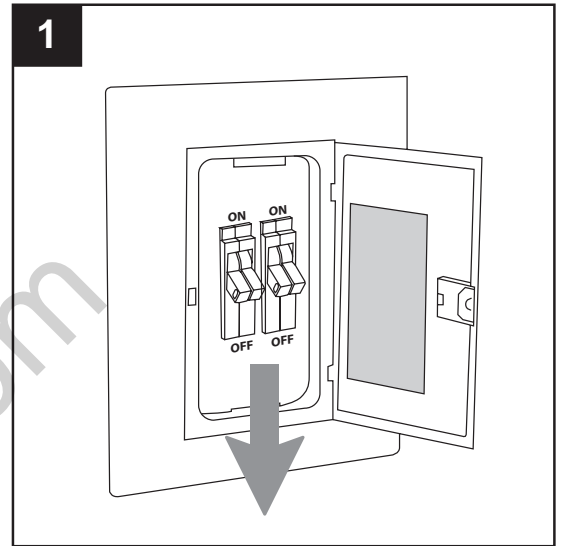
After opening top of carton, remove mounting hardware package from foam inserts. Remove motor from packing and place on carpet or on foam to avoid damage to finish.

⚠ CAUTION: Carefully check all screws, bolts and nuts on fan motor assembly to ensure that they are secured. All set screws must be checked and retightened where necessary, before installation.

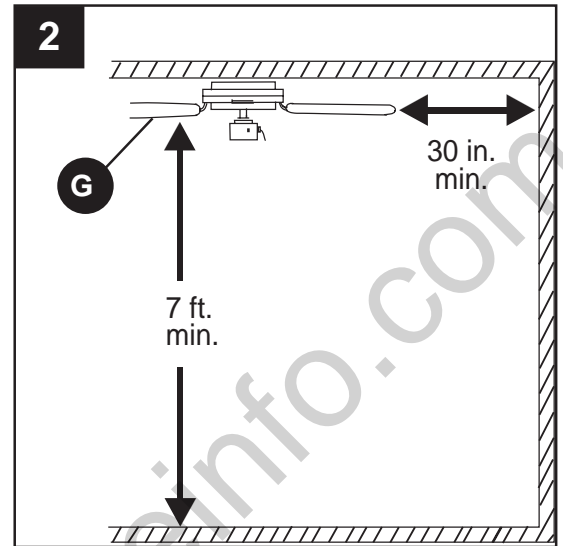
INITIAL INSTALLATION

1. Turn off circuit breakers and wall switch to the fan supply line leads. (Fig. 1)

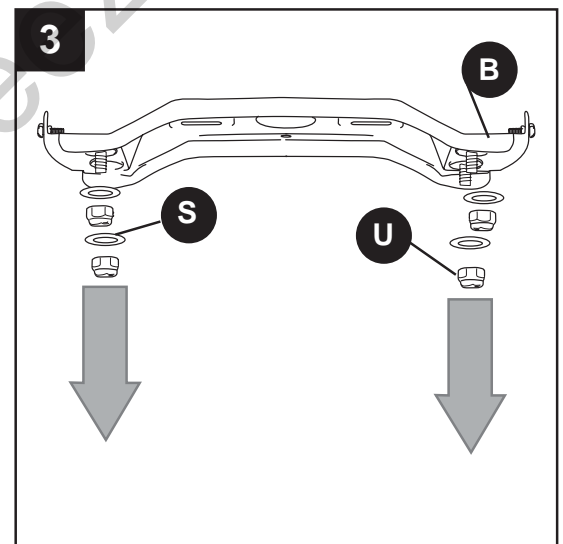
⚠ DANGER: Failure to disconnect power supply prior to installation may result in serious injury or death.



2. Check to make sure blades (G) will be at least 30 in. from any obstruction and at least 7 ft. above the floor. (Fig. 2)

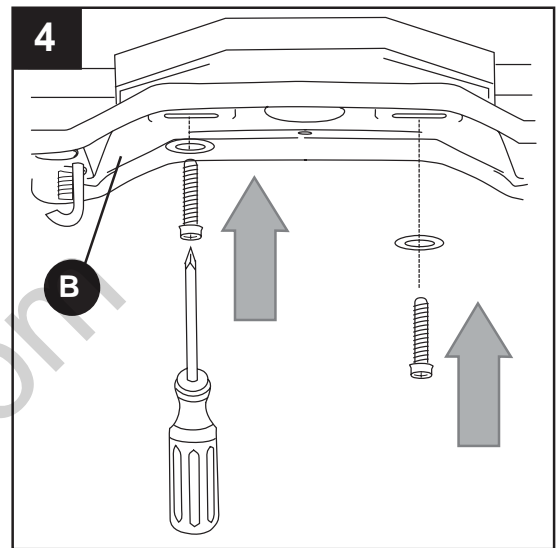


3. Remove all mounting bracket nuts (U) and mounting bracket flat washers (S) from mounting bracket (B). (Fig. 3)

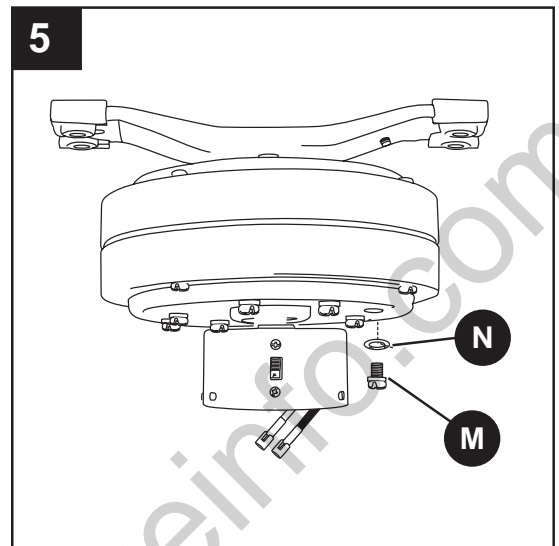


INITIAL INSTALLATION

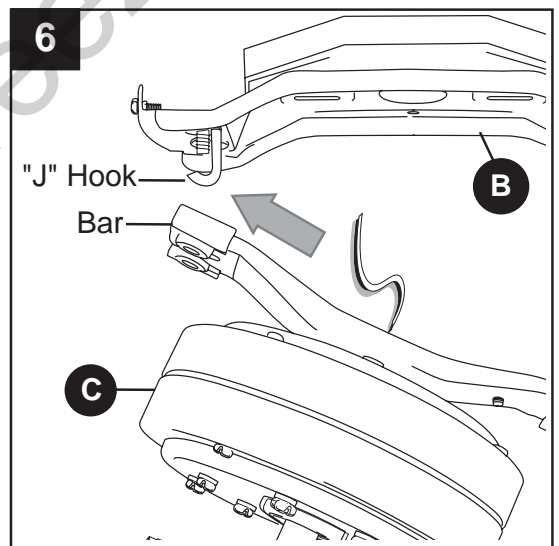
- Secure mounting bracket (B) to outlet box using screws, spring washers, and flat washers provided with the outlet box. (Fig. 4)
***Note:** It is very important that you use the proper hardware when installing the mounting bracket (B) as this will support the fan.



- Remove motor screws (M) and 5.4 M/M lock washers (N) from underside of motor and save for blade arm (J) attachment later on. [If there are plastic motor blocks installed with the motor screws (M) and 5.4 M/M lock washers (N), discard the plastic motor blocks.] (Fig. 5)



- Slide the slot in the bar at the top of the motor assembly (C) onto the "J" hook on the mounting bracket (B) to support the fan during wiring. (Fig. 6)
Important: *Do not* use the end of the bar on the motor assembly (C) with the small round hole to hang the motor assembly (C) on the mounting bracket (B).



WIRING

⚠ WARNING: To reduce the risk of fire, electrical shock, or personal injury, wire connectors provided with this fan are designed to accept only one 12-gauge house wire and two lead wires from the fan. If your house wire is larger than 12-gauge or there is more than one house wire to connect to the two fan lead wires, consult an electrician for the proper size wire connectors to use.

⚠ CAUTION: Be sure outlet box is properly grounded and that a ground (green or bare) wire is present.

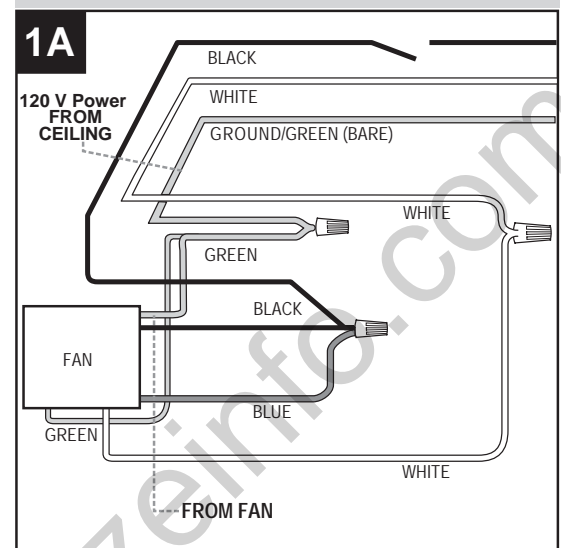
⚠ WARNING: If house wires are different colors than referred to in the following steps, stop immediately. A professional electrician is recommended to determine wiring.

1. Choose wiring diagram (Fig. 1A, Fig. 1B or Fig. 1C) that fits your situation and make appropriate wiring connections as follows: [**NOTE:** For each wire connection below, use one of the wire connectors (CC) provided, making sure to screw wire connector (CC) on in a clockwise direction.]

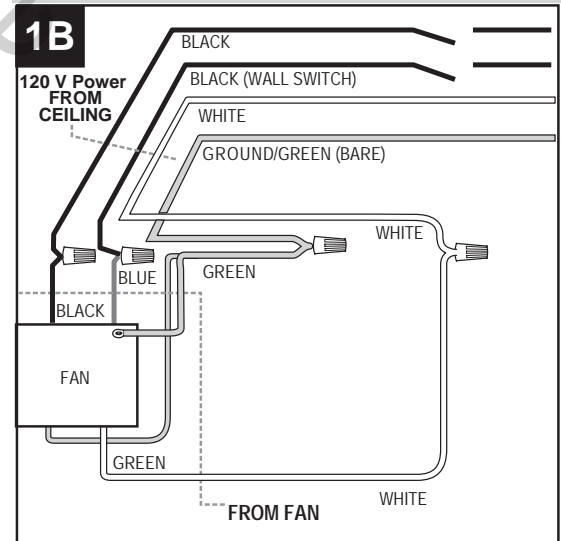
1A. FAN AND LIGHT CONTROLLED BY PULL CHAINS: Connect **BLACK** and **BLUE** wire from fan to **BLACK** wire from ceiling. Connect **WHITE** wire from fan to **WHITE** wire from ceiling. Connect all **GROUND (GREEN)** wires together from fan (on motor assembly (C) and mounting bracket (B)) to **BARE/GREEN** wire from ceiling. (Fig. 1A)

1B. FAN CONTROLLED BY PULL CHAIN, LIGHT BY WALL SWITCH: If you intend to control the fan light with a separate wall switch, connect **BLACK** wire from fan to **BLACK** wire from ceiling. Connect **BLUE** wire from fan to the **BLACK** wire from the independent wall switch for the light. Connect **WHITE** wire from fan to **WHITE** wire from ceiling. Connect all **GROUND (GREEN)** wires together from fan (on motor assembly (C) and mounting bracket (B)) to **BARE/GREEN** wire from ceiling. (Fig. 1B)

FAN AND LIGHT CONTROLLED BY PULL CHAINS



FAN CONTROLLED BY PULL CHAIN, LIGHT BY WALL SWITCH



WIRING

1C. FAN AND LIGHT CONTROLLED BY TWO WALL SWITCHES: If you intend to control the fan and light with separate wall switches, connect **BLACK** wire from fan to **BLACK** wire from the independent wall switch for the fan. Connect **BLUE** wire from fan to the **BLACK** wire from the other independent wall switch for the light. Connect **WHITE** wire from fan to **WHITE** wire from ceiling. Connect all **GROUND (GREEN)** wires together from fan (on motor assembly (C) and mounting bracket (B)) to **BARE/GREEN** wire from ceiling. (Fig. 1C)

NOTE: Black wire is hot power for fan. Blue wire is hot power for light kit. White wire is common for fan and light kit. Green or bare wire is ground.

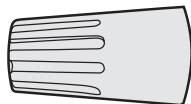
2. Wrap electrical tape (not included) around each individual wire connector (CC) down to the wire as shown in Fig. 2.

⚠ WARNING: Make sure no bare wire or wire strands are visible after making connections. Place green and white connections on opposite side of box from the black and blue (if applicable) connections.

Turn spliced/taped wires upward and gently push wires and wire connectors (CC) into outlet box.

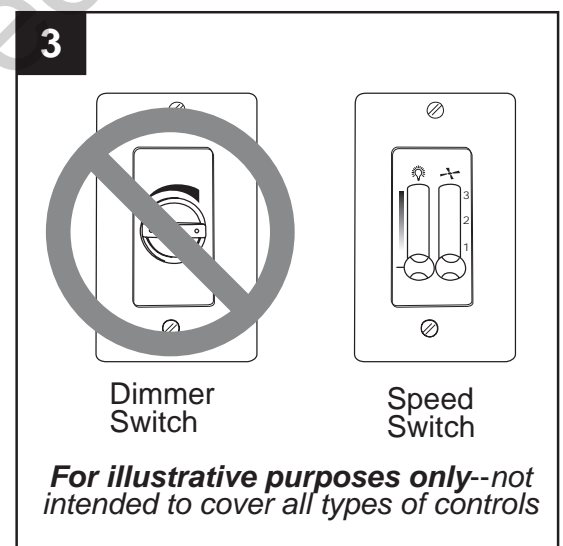
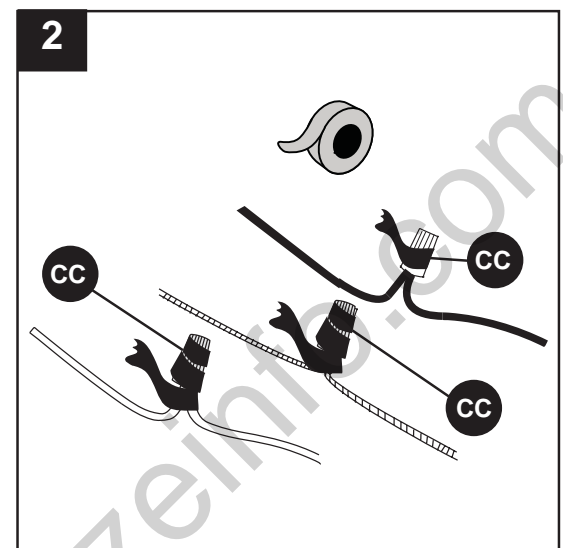
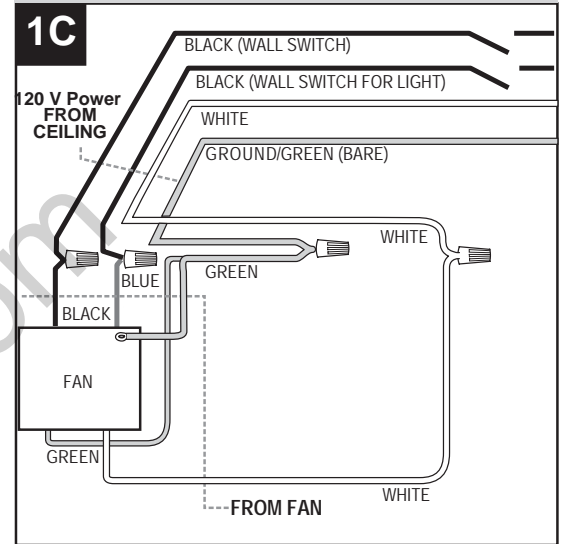
Hardware Used

CC E3 Wire Connector x4



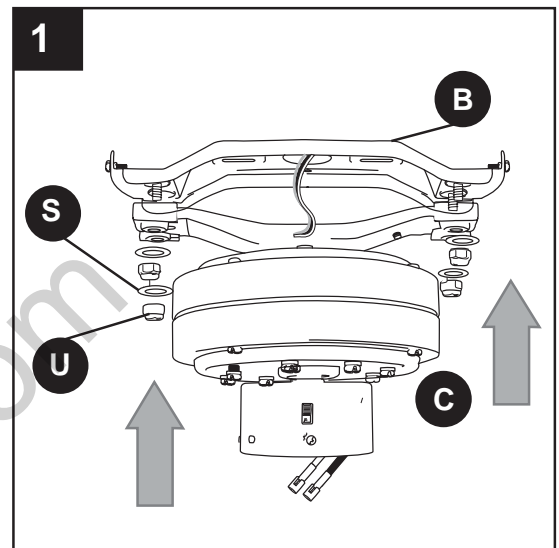
3. **IMPORTANT:** Using a full range dimmer switch (not included) to control fan speed will cause a loud humming noise from fan. To reduce the risk of fire or electrical shock, do NOT use a full range dimmer switch to control fan speed. (Fig. 3)

FAN AND LIGHT CONTROLLED BY TWO WALL SWITCHES

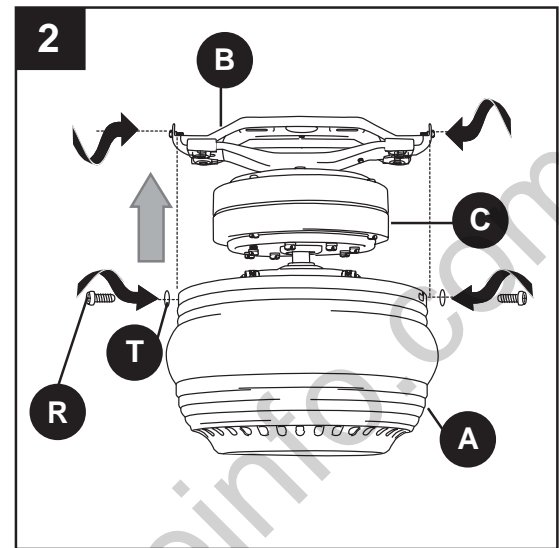


FINAL INSTALLATION

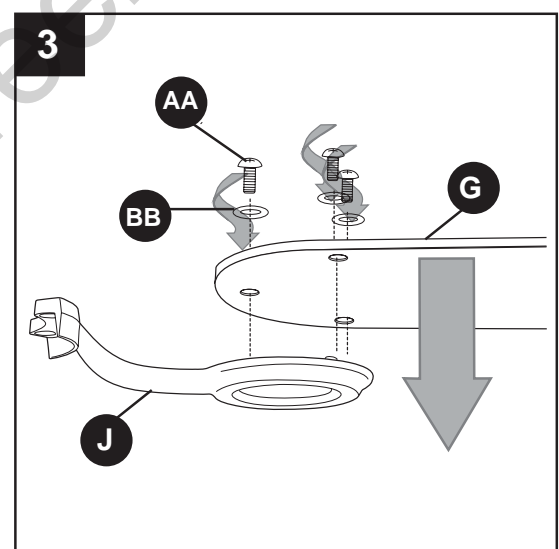
1. Remove motor assembly (C) from "J" hook. Align holes in motor assembly (C) with holes in mounting bracket (B). Secure motor assembly (C) with mounting bracket flat washers (S) and mounting bracket nuts (U) that were previously removed (Step 3, page 6). (Fig. 1)





2. Temporarily lift motor housing (A) to mounting bracket (B) to determine which two motor housing mounting screws (R) in sides of mounting bracket (B) align with the slotted holes in the top edge of the motor housing (A) and partially loosen these two motor housing mounting screws (R). Remove the other two motor housing mounting screws (R) and motor housing lock washers (T). Slide motor housing (A) over motor assembly (C), aligning slotted holes in motor housing (A) with loosened motor housing mounting screws (R) in mounting bracket (B). Twist motor housing (A) to lock. Re-insert the other two motor housing mounting screws (R), along with motor housing lock washers (T), that were previously removed. Tighten all motor housing mounting screws (R) securely. (Fig. 2)



3. Partially insert three blade screws (AA), along with three fiber blade washers (BB), to attach one blade arm (J) to a blade (G). Then, tighten each blade screw (AA), starting with the one in the middle. (Fig. 3) Repeat with remaining blades (G).



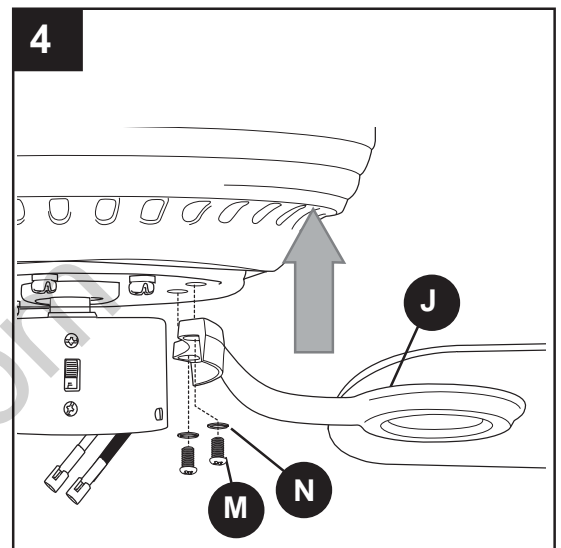
Hardware Used

AA Blade Screw		x 15
BB Fiber Blade Washer		x 15

FINAL INSTALLATION

4. Locate motor screws (M) and 5.4 M/M lock washers (N) that were removed in Step 5 on page 7.

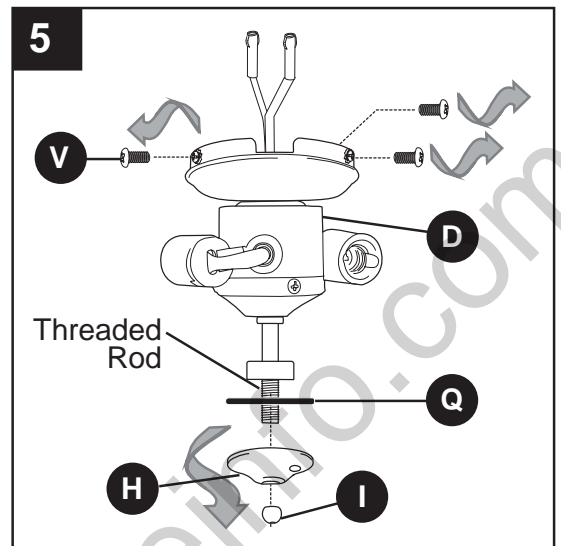
Insert two motor screws (M), along with 5.4 M/M lock washers (N), through one blade arm (J) to attach blade arm (J) to motor. Tighten motor screws (M) securely. (Fig. 4) Repeat with remaining blade arms (J), making sure to completely secure each blade arm (J) before proceeding with the next.



5. Remove three switch housing cap screws (V) from top of light kit fitter (D).

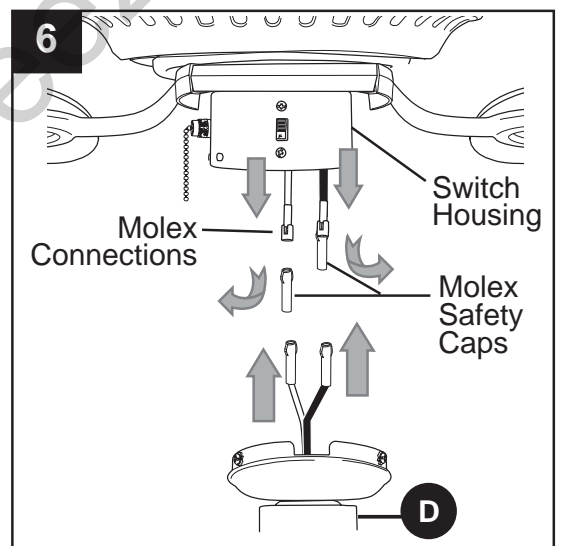
If you wish to use the light kit, remove finial (I), finial plate (H), and rubber washer (Q) from bottom of light kit fitter (D). (Fig. 5) *Save finial (I), finial plate (H), and rubber washer (Q) for later use.* Continue to Step 6.

If you do NOT wish to use the light kit, please go to section entitled "Installing Fan Without Included Light Kit (Optional)" on page 13.



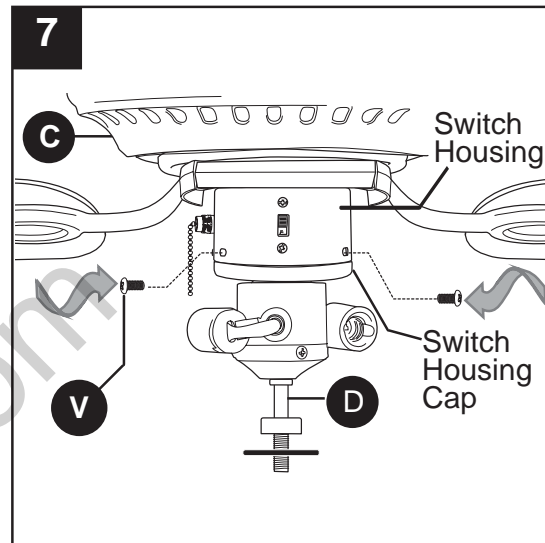
6. Locate **BLUE** (or **BLACK**) and **WHITE** wires in switch housing labeled FOR LIGHT and remove plastic that holds these two wires together. Also, remove molex safety caps from bottom of **BLUE** (or **BLACK**) and **WHITE** wires. It may be necessary to pull firmly in order to remove molex safety caps. (Fig. 6)

Connect **WHITE** wire from switch housing to **WHITE** wire from light kit fitter (D). Connect **BLUE** (or **BLACK**) wire from switch housing to **BLACK** wire from light kit fitter (D). Make sure that molex connections are secure. (Fig. 6)



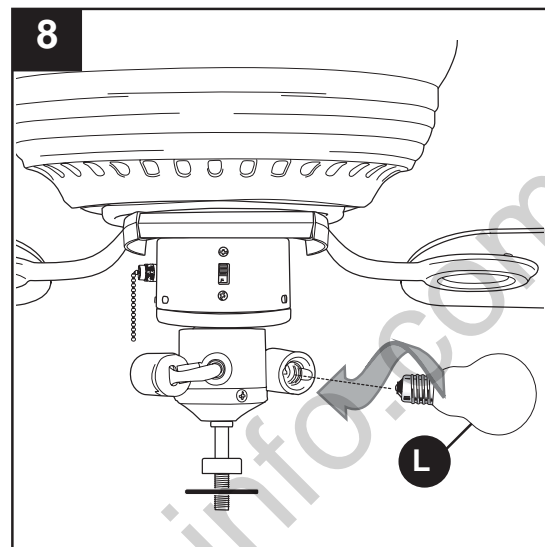
FINAL INSTALLATION

7. To attach light kit fitter (D) to motor assembly (C), align holes in switch housing cap with holes in switch housing. (Make sure to align gap on top edge of the switch housing cap with the reverse switch on switch housing for the correct fit.) Re-insert switch housing cap screws (V) that were removed in Step 5 on the previous page and use a Phillips screwdriver (not included) to secure all switch housing cap screws (V). (Fig. 7)



8. Install three candelabra base 40-watt max. bulbs (L) included. (Fig.8)

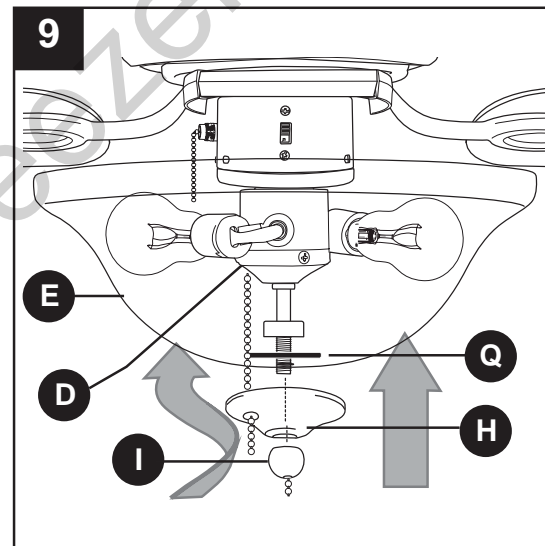
Important: When you need to replace bulbs, please allow bulbs and light kit to cool down before touching the bulbs or the light kit.



9. Locate rubber washer (Q), finial plate (H), and finial (I) that were previously removed in Step 5. Place rubber washer (Q) inside glass shade (E) over center hole. Raise glass shade (E) in order to guide pull chains through corresponding holes at the bottom of the glass shade (E). Align hole in center of glass shade (E) with threaded rod on light kit fitter (D) and push up gently until threaded rod comes through hole. (Be sure pull chain for fan operation does not rub against bulbs during operation.) (Fig. 9)

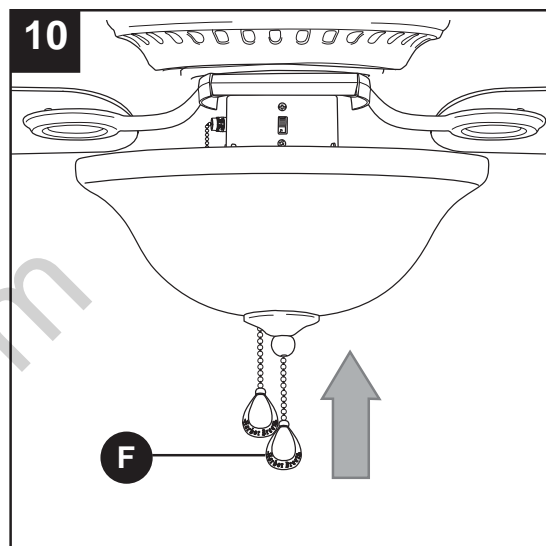
Align hole in center of finial plate (H) with threaded rod, allowing the pull chains to come through appropriate holes in finial plate (H) and push up. Thread center pull chain through hole in finial (I) and secure glass shade (E) by tightening finial (I). (Fig. 9)

Note: Do not overtighten finial (I) as glass may crack or break.



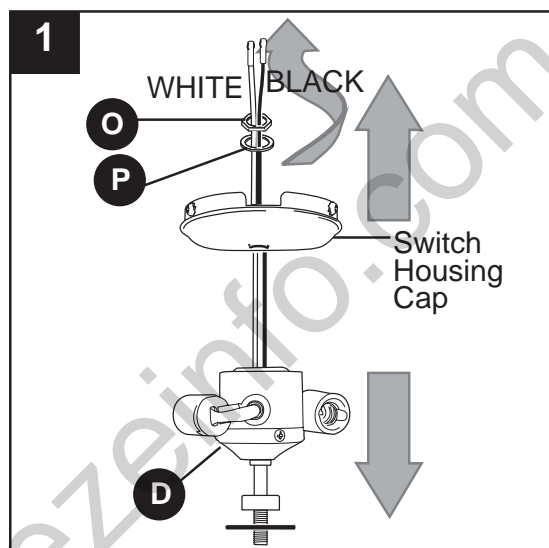
FINAL INSTALLATION

10. Attach pull chain extensions (F) supplied in one of the hardware packs or custom pull chain extensions (not included) to fan and light pull chains. (Fig. 10)

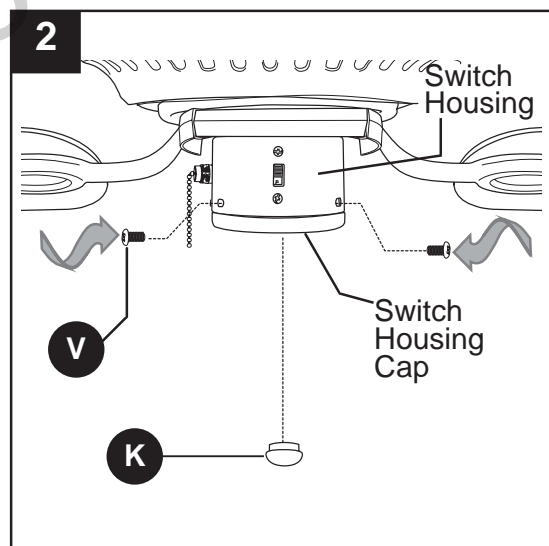


INSTALLING FAN WITHOUT INCLUDED LIGHT KIT (OPTIONAL)

1. *If you do NOT wish to use the light kit,* remove the hex nut (O) and lock washer (P) from the threaded rod at the top of the light kit fitter (D). Unscrew the switch housing cap to remove it from the light kit fitter (D), and then gently feed the **BLACK** and **WHITE** wires from the light kit fitter (D) through the hole in the middle of the switch housing cap. (Fig. 1)

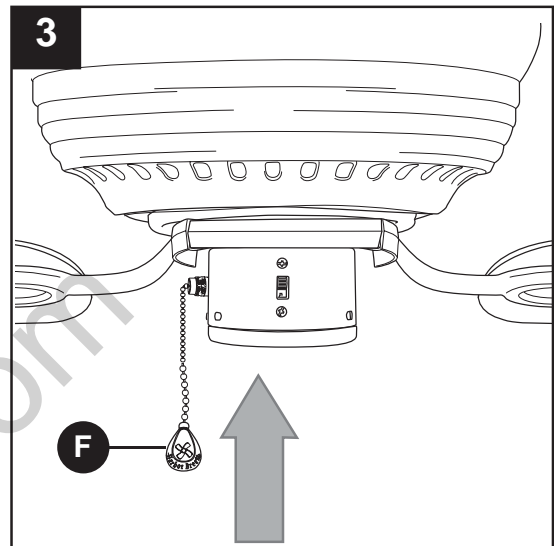


2. Locate cap (K) in one of the hardware packs and place cap (K) firmly in hole in middle of switch housing cap. Align holes in switch housing cap with holes in switch housing. (Make sure to align gap on top edge of the switch housing cap with the reverse switch on switch housing for the correct fit.) Secure switch housing cap with three switch housing cap screws (V) that were removed in Step 5 of "Final Installation" section (page 11). Tighten all three switch housing cap screws (V) securely. (Fig. 2)



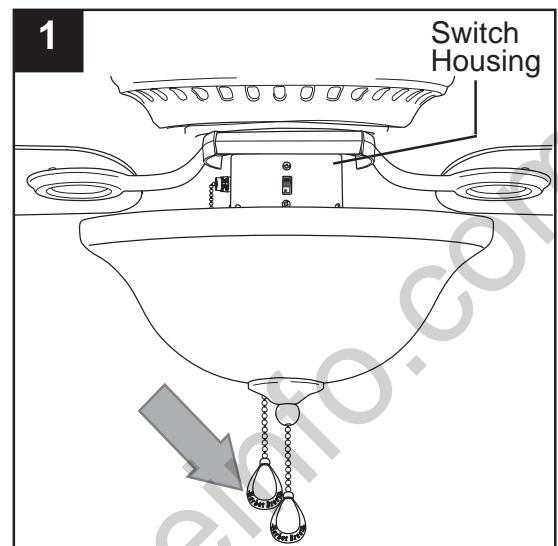
INSTALLING FAN WITHOUT INCLUDED LIGHT KIT (OPTIONAL)

3. The pull chain extension (F) supplied in one of the hardware packs or a custom pull chain extension (not included) may be attached to fan pull chain. (Fig. 3)

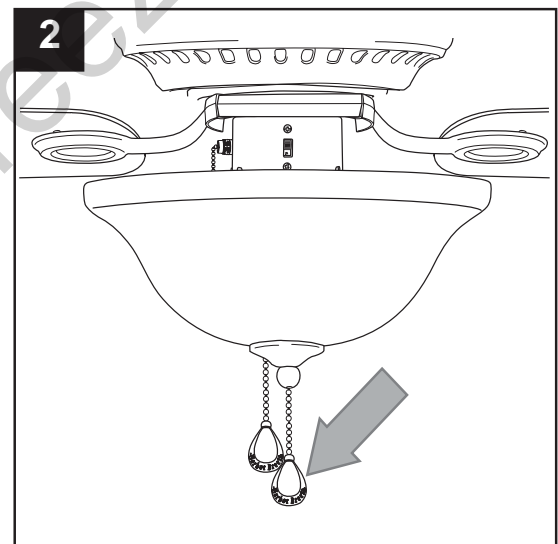


OPERATION INSTRUCTIONS

1. The pull chain located on the switch housing has four positions to control **fan** speed. One pull is HIGH, two is MEDIUM, three is LOW and four turns the fan OFF. (Fig. 1)



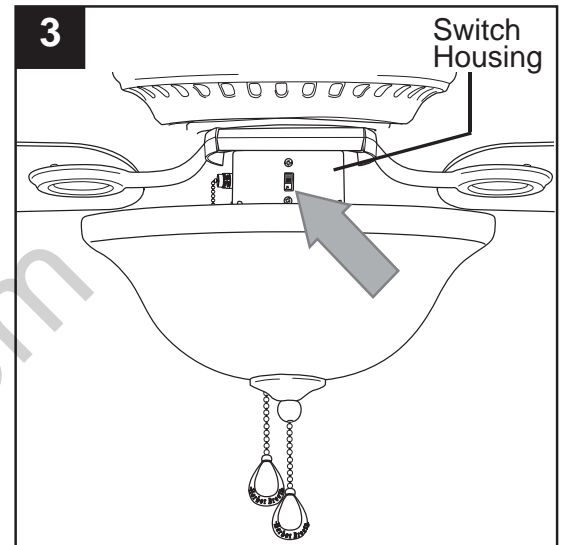
2. The pull chain in the middle is used to turn the **light** ON or OFF. (Fig. 2)



OPERATION INSTRUCTIONS

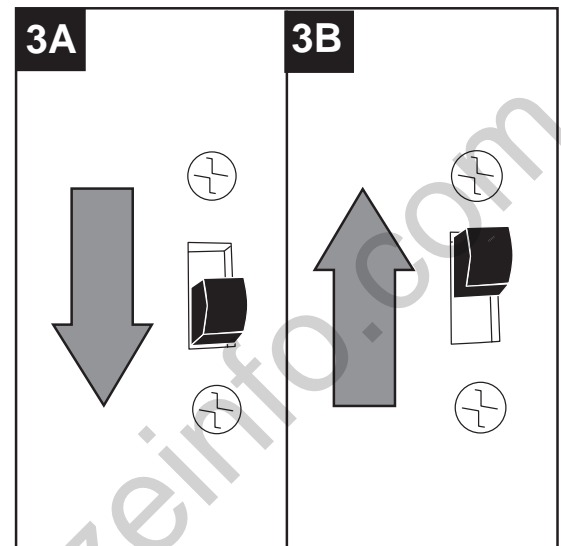
- Use the fan reverse switch, located on the switch housing, to optimize your fan for seasonal performance. (Fig. 3) A ceiling fan will allow you to raise your thermostat setting in summer and lower your thermostat setting in winter without feeling a difference in your comfort.

NOTE: Wait for fan to stop before moving the reverse switch.

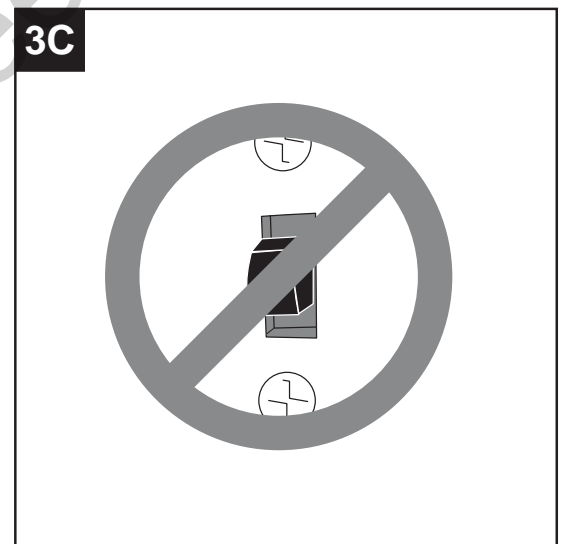


3A. In **warmer** weather, setting the reverse switch in the DOWN position will result in downward airflow creating a wind chill effect. (Fig. 3A)

3B. In **cooler** weather, setting the reverse switch in the UP position will result in upward airflow that can help move stagnant, hot air off the ceiling area. (Fig. 3B)



3C. **IMPORTANT:** Reverse switch must be set either **completely UP** or **completely DOWN** for fan to function. If the reverse switch is set in the **middle** position (Fig. 3C), fan will not operate.



CARE AND MAINTENANCE

At least twice each year, lower motor housing (A) to check motor assembly (C), and then tighten all screws on fan. Clean motor housing (A) with only a soft brush or lint-free cloth to avoid scratching the finish. Clean blades (G) with a lint-free cloth. You may occasionally apply a light coat of furniture polish to wood blades for added protection.

Important: Shut off main power supply before beginning any maintenance. Do not use water or a damp cloth to clean the ceiling fan.

TROUBLESHOOTING

If you have any questions regarding the product please call customer service at **1-800-527-1292**, 8:30 a.m. - 5 p.m., CST, Monday - Friday.

⚠ Warning: Before beginning work, shut off the power supply to avoid electrical shock.

PROBLEM	POSSIBLE CAUSE	CORRECTIVE ACTION
Fan does not move.	<ol style="list-style-type: none">1. Reverse switch not engaged.2. Power is off or fuse is blown.3. Faulty wire connection.	<ol style="list-style-type: none">1. Push switch firmly either to the up or to the down.2. Turn power on or check fuse.3. Turn power off. Loosen motor housing (A) and check all connections.
Noisy operation.	<ol style="list-style-type: none">1. Blades (G) are loose.2. Cracked blade (G).3. Full range dimmer switch. 4. Fan is new. 5. Motor housing (A) is loose.	<ol style="list-style-type: none">1. Tighten all blade screws (AA).2. Replace blade (G).3. Replace with an approved speed control device.4. Allow fan a "break in" period of a few days, especially when running the fan at Medium and High speeds.5. Turn power off. Carefully loosen motor housing (A) and verify that mounting bracket (B) is secure according to instructions on page 10.
Excessive wobbling.	<ol style="list-style-type: none">1. Blades (G) are loose.2. Blade arms (J) incorrectly attached.3. Unbalanced blades (G). 4. Fan not securely mounted.	<ol style="list-style-type: none">1. Tighten all blade screws (AA).2. Re-install blade arms (J).3. Switch one blade (G) with a blade (G) from the opposite side.4. Turn power off. Carefully loosen motor housing (A) and verify that mounting bracket (B) is secure.
Fan operates but light fails.	<ol style="list-style-type: none">1. Bulb(s) not installed correctly.2. Wires in outlet box not wired properly. 3. Wall switch to fan is off.	<ol style="list-style-type: none">1. Re-install bulb(s).2. Check wires in outlet box, and if necessary, re-wire according to instructions on pages 8 and 9.3. Make sure that wall switch to fan is on.

TROUBLESHOOTING

PROBLEM	POSSIBLE CAUSE	CORRECTIVE ACTION
	4. Wires not connected properly.	4. Check that molex connections in light kit fitter (D) are connected properly according to instructions on page 11.

Note: A small amount of "wobble" is normal and should not be considered a defect.

WARRANTY

LIMITED LIFETIME WARRANTY: Litex Industries warrants this fan to be free from defects in workmanship and materials present at time of shipment from the factory for Lifetime limited from the date of purchase. This warranty applies only to the original purchaser. Litex Industries agrees to correct any defect at no charge or, at our option, replace the ceiling fan with a comparable or superior model.

To obtain warranty service, present a copy of your sales receipt as proof of purchase. All cost of removal and reinstallation are the express responsibility of the purchaser. Any damage to the ceiling fan by accident, misuse or improper installation, or by using parts not produced by the manufacturer of this fan or affixing accessories not produced by the manufacturer of this fan, are the purchaser's own responsibility. Litex Industries assumes no responsibility whatsoever for fan installation during the limited lifetime warranty. Any service performed by an unauthorized person will render the warranty invalid.

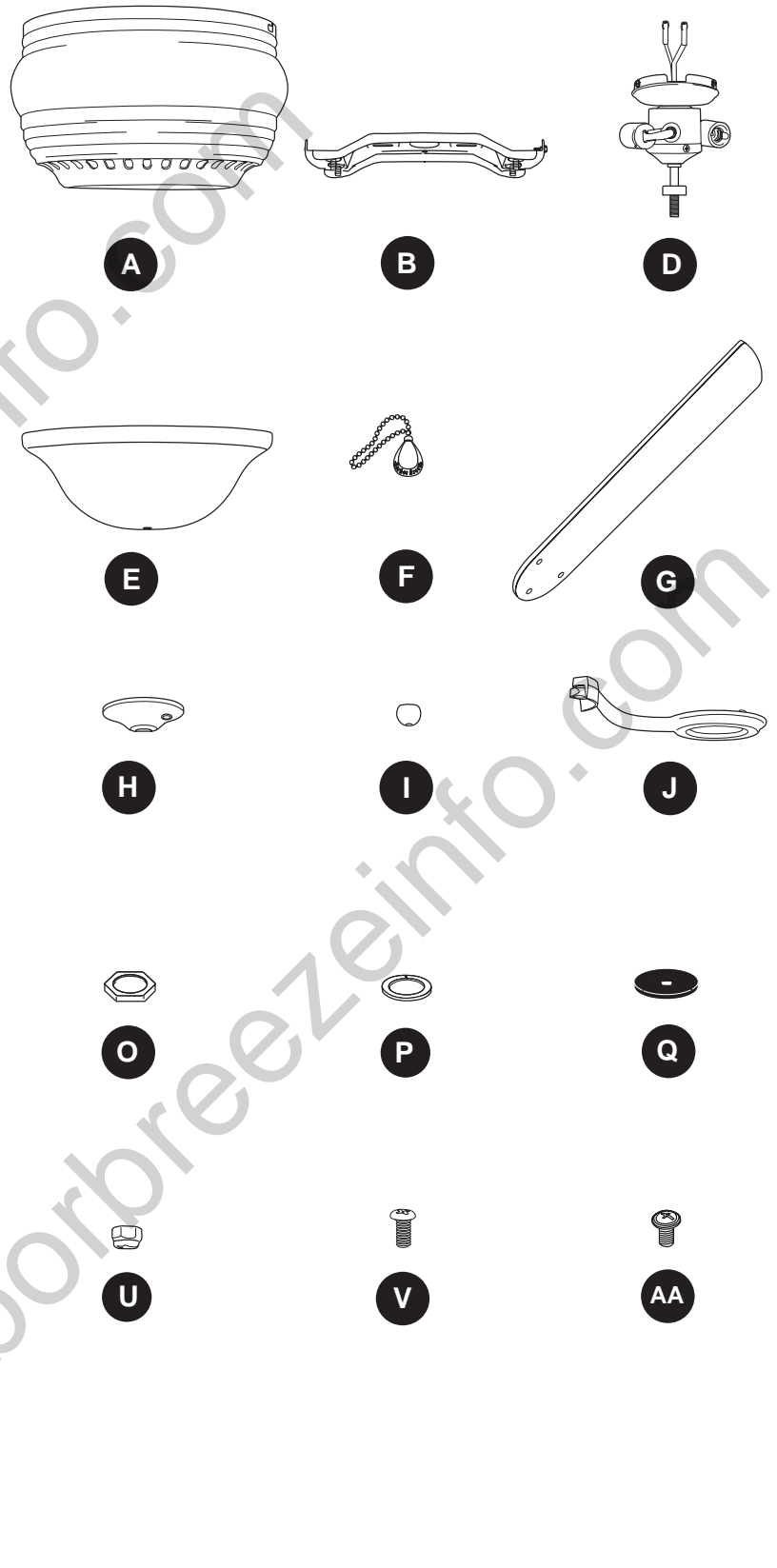
Due to varying climatic conditions, this warranty does not cover changes in brass finish, rusting, pitting, tarnishing, corroding or peeling. Brass finish fans maintain their beauty when protected from varying weather conditions. Any glass provided with this fan is not covered by the warranty.

Any replacement of defective parts for the ceiling fan must be reported within the first year from the date of purchase. For the balance of the warranty, call our customer service department (at **1-800-527-1292**) for return authorization and shipping instructions so that we may repair or replace the ceiling fan. Any fan or parts returned improperly packaged is/are the sole responsibility of the purchaser. There is no further express warranty. Litex Industries disclaims any and all implied warranties. The duration of any implied warranty which cannot be disclaimed is limited to the limited lifetime period as specified in our warranty. Litex Industries shall not be liable for incidental, consequential or special damages arising at or in connection with product use or performance except as may otherwise be accorded by law. This warranty gives you specific legal rights and you may also have other rights which vary from state to state. This warranty supersedes all prior warranties.

REPLACEMENT PARTS LIST

For replacement parts, call our customer service department at **1-800-527-1292**, 8:30 a.m. - 5:00 p.m., CST, Monday - Friday. When ordering parts, please have the Model # or Item # of the fan available, which can be found on page 1.

PART	DESCRIPTION
A	Motor Housing
B	Mounting Bracket
D	Light Kit Fitter
E	Glass Shade
F	Pull Chain Extension
G	Blade
H	Finial Plate
I	Finial
J	Blade Arm
K	Cap
M	Motor Screw
N	5.4 M/M Lock Washer
O	Hex Nut
P	Lock Washer
Q	Rubber Washer
R	Motor Housing Mounting Screw
S	Mounting Bracket Flat Washer
T	Motor Housing Lock Washer
U	Mounting Bracket Nut
V	Switch Housing Cap Screw
AA	Blade Screw
BB	Fiber Blade Washer
CC	E3 Wire Connector



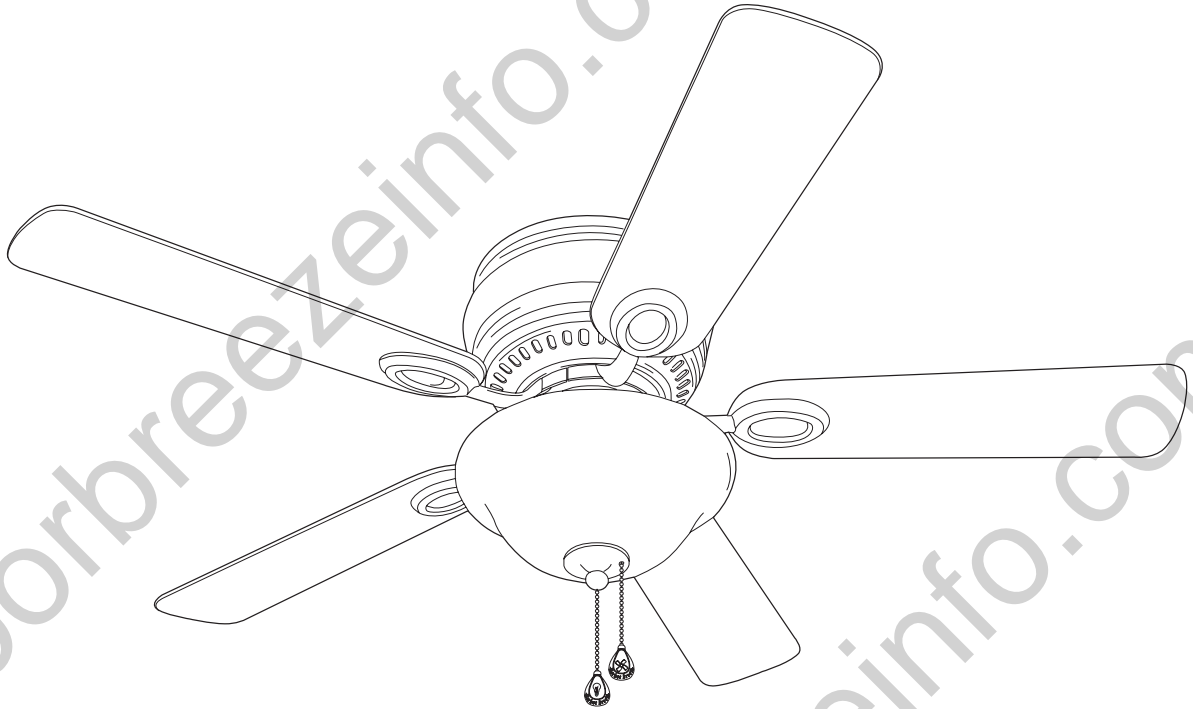


Harbor Breeze® es marca registrada de LF, LLC. Reservados todos los derechos.

ARTICULO #18036

VENTILADOR DE TECHO MAYFIELD

MODELO #BTH44AB5CS



ADJUNTE SU RECIBO AQUI

Número de serie _____ Fecha de compra _____



LISTED
E124404



¿Preguntas, problemas, faltan piezas? Antes de regresar a la tienda, llame o póngase en contacto con nuestro departamento de servicio al cliente al **1-800-527-1292**, de 8:30 a.m. a 5:00 p.m., hora central, de lunes a viernes.

INDICE DE MATERIAS

Información de seguridad	20 - 21
Contenido del paquete	22
Contenido de artículos de ferretería	23
Preparación	23
Instalación inicial	24 - 25
Conexión de los cables	26 - 28
Instalación final	29 - 32
El instalar el ventilador sin el juego de luz incluido (opcional)	33
Instrucciones de funcionamiento	34 - 35
Cuidado y mantenimiento	35
Localización de fallas	36 - 37
Garantía	37
Lista de piezas de repuestos	38



INFORMACION DE SEGURIDAD

POR FAVOR LEA Y GUARDE ESTAS INSTRUCCIONES

Por favor lea el instructivo entero antes de tratar de ensamblar, instalar o hacer funcionar el producto. Si tiene alguna pregunta acerca del producto, por favor llame al servicio al cliente al **1-800-527-1292**, de 8:30 a.m. a 5:00 p.m., hora central, de lunes a viernes.

- No deseche la caja del ventilador ni la goma espuma incluida. Si hay que mandar el ventilador a la fábrica por alguna reparación, se debe enviar en su paquete original para asegurar la protección apropiada contra daños que podrían exceder la causa inicial por la cual se devolvió.
- Asegúrese de que todas las conexiones eléctricas cumplen con los códigos y las ordenanzas locales, con el Código Nacional Eléctrico (NEC, por sus siglas en inglés), y ANSI/NFPA 70-1999. Contrate un electricista calificado o consulte una guía de instalación eléctrica de hágalo usted mismo, disponible en Lowe's, si no está familiarizado con la instalación eléctrica.
- Asegúrese de que el lugar de instalación que usted escogió tiene un mínimo de 2,13 m de desde las paletas hasta el piso y que la punta de las paletas quede a por lo menos 76,2 cm de cualquier obstrucción.
- Después de instalar el ventilador, verifique que todas las conexiones estén seguras para que no se caiga el ventilador.
- El peso neto del ventilador con el juego de luz es de: 5,9 kg (13,01 lb).

ADVERTENCIAS



Para reducir el riesgo de incendios, descargas eléctricas o lesiones personales, monte a una caja de salida marcada como "ACCEPTABLE FOR FAN SUPPORT OF 35 LBS (15.9 KG) OR LESS" (apta para sostener un ventilador de 15,88 kg (35 lb) o menos) y utilice los tornillos de montaje incluidos en la caja de salida. La mayoría de las cajas de salida que se usan comúnmente para sostener ensambles de iluminación no son aptas para sostener un ventilador y puede ser necesario reemplazarlas. Si tiene dudas, consulte a un electricista calificado.

Al montar el ventilador en una caja de salida del techo, use una caja de salida octogonal de METAL. Asegure la caja de salida directamente a la estructura del edificio. La caja de salida y su soporte deben ser capaces de sostener el peso del ventilador en movimiento (al menos 15,88 kg). NO use una caja de salida de plástico.

Para evitar lesiones personales, puede ser necesario usar guantes al manipular las piezas del ventilador con bordes filosos.

Para reducir el riesgo de incendios, descargas eléctricas o lesiones personales, los conectores de cables incluidos con este ventilador están diseñados para soportar sólo un cable interior de calibre 12 y dos cables conductores del ventilador. Si el cable interior es de un calibre superior a 12 o hay más de un cable interior para conectar los dos cables conductores del ventilador, pregúntele a un electricista cuál es el tamaño adecuado de los conectores de cables que debe utilizar.

Para reducir el riesgo de incendios o descargas eléctricas, no use el ventilador con dispositivos de control de velocidad para ventiladores de estado sólido ni controle la velocidad del ventilador con un regulador de intensidad de rango completo.

Para reducir el riesgo de incendio, descarga eléctrica o lesiones personales, no doble los brazos de las aspas al instalarlos, al equilibrar las aspas o al limpiar el ventilador. No introduzca objetos entre las aspas en movimiento.

Para reducir el riesgo de lesiones personales, use **sólo** las piezas que se incluyen con este ventilador. **El uso de piezas *DISTINTAS* a aquellas que se incluyen con este ventilador anulará la garantía.**

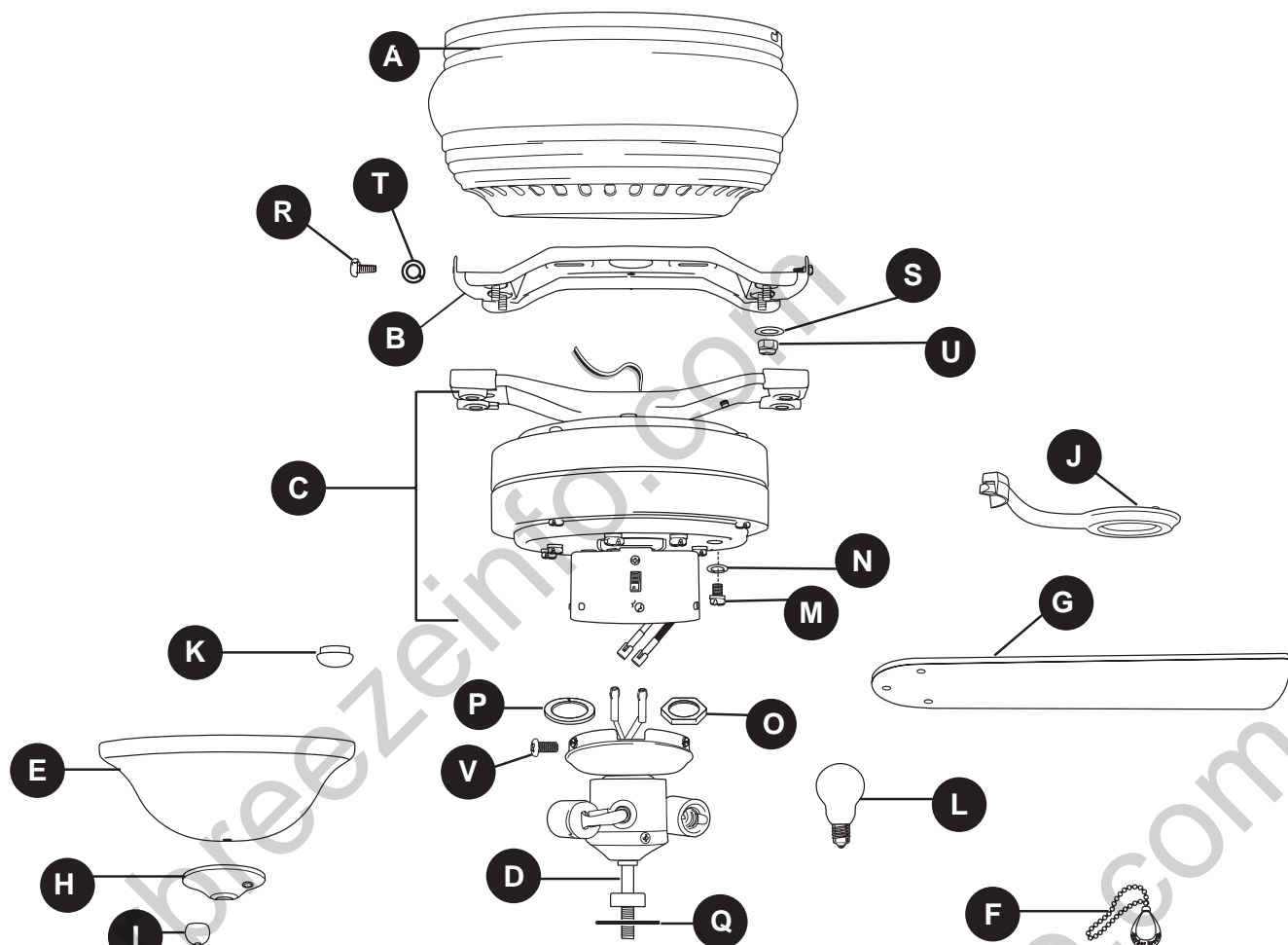
PRECAUCIONES

Antes de proceder, asegúrese de cortar la alimentación eléctrica de la caja principal de fusibles o interruptor de circuito a fin de evitar descargas eléctricas.

Lea todas las instrucciones y la información de seguridad antes de instalar el nuevo ventilador. Revise los diagramas de ensamblaje adjuntos.

RIESGO DE CHOQUE ELECTRICICO, no se deben quitar las tapas de seguridad tipo "molex" a menos de que se vaya a instalar un conectador para juego de luz inmediatamente y se debe cortar la electricidad antes de quitar las tapas de seguridad tipo "molex" y de instalar el conectador para el juego de luz.

CONTENIDO DEL PAQUETE



PIEZA	DESCRIPCION	CANTIDAD
A	Bastidor del motor	1
B	Soporte de montaje	1
C	Unidad del motor	1
D	Conector para el juego de luz	1
E	Pantalla de vidrio	1
F	Extensión para la cadena de encendido	2
G	Paleta	5
H	Placa del adorno con rosca	1
I	Adorno con rosca	1
J	Brazo para la paleta	5
K	Tapa	1
L	Bombilla de base candelabro	3
M	Tornillo del motor (preensamblado)	10 + 1 extra

PIEZA	DESCRIPCION	CANTIDAD
N	Arandela de seguridad 5,4 M/M (preensamblada)	10 + 1 extra
O	Tuerca hexagonal (preensamblada)	1
P	Arandela de seguridad (preensamblada)	1
Q	Arandela de hule (preensamblada)	1
R	Tornillo del bastidor del motor (preensamblado)	4
S	Arandela plana del soporte de montaje (preensamblada)	4
T	Arandela de seguridad del bastidor del motor (preensamblada)	4
U	Tuerca del soporte de montaje (preensamblada)	4
V	Tornillo para la cubierta de la caja del interruptor (preensamblado)	3

⚠ RECORDATORIO IMPORTANTE: Se tienen que utilizar las piezas provistas con este ventilador para una instalación adecuada y su seguridad. **⚠**

CONTENIDO DE ARTICULOS DE FERRETERIA (se muestra en tamaño natural)

AA



Tornillo
para la
paleta

Ctd. 15
+ 1 extra

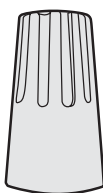
BB



Arandela
de fibra
para la
paleta

Ctd. 15
+ 1 extra

CC



Conector
de cables
E3

Ctd. 4

PREPARACION

Antes de comenzar a ensamblar el producto, asegúrese de tener todas las piezas. Compare las piezas con la lista del contenido del paquete y la lista de artículos de ferretería anteriores. No intente ensamblar el producto si falta alguna pieza o si éstas están dañadas. Póngase en contacto con el departamento de servicio al cliente para obtener piezas de repuesto.

Tiempo estimado de ensamblaje: 120 minutos

Herramientas necesarias para el ensamblaje (no se incluyen): Cinta aislante, destornillador Phillips, pinzas, gafas de seguridad, escalera de tijera y pinzas pelacables

Herramientas útiles (no se incluyen): Luz de prueba de CA, cinta métrica, manual de cableado para hacerlo usted mismo (disponible en Lowe's) y pinzas cortacables

Bombillas requeridas (se incluyen): 3 bombillas de base candelabro de 40 vatios como máximo

⚠ PELIGRO: Si utiliza una caja de salida existente, asegúrese de que esté bien sujeta a la estructura del edificio y que pueda sostener el peso del ventilador. El incumplimiento de dicho paso podría provocar lesiones graves o la muerte. La estabilidad de la caja de salida es fundamental para minimizar el tambaleo y el ruido en el ventilador una vez que la instalación esté completa.

⚠ PRECAUCIÓN: Asegúrese de que la caja de salida tenga la debida puesta a tierra y de que haya un conductor (verde o desnudo) de puesta a tierra.

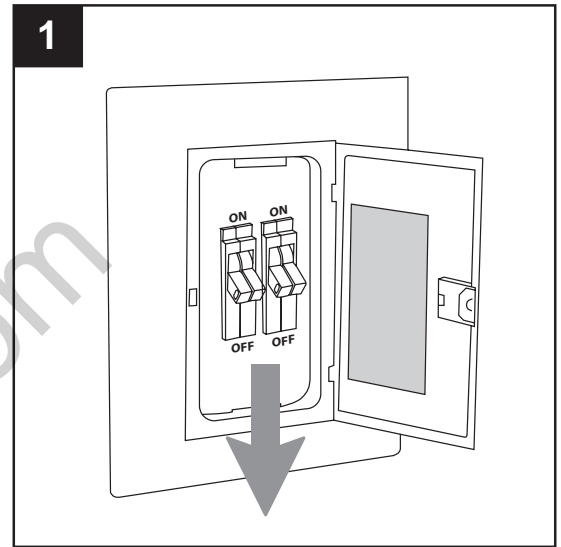
Después de abrir la parte superior de la caja, retire el paquete de aditamentos para montaje de los accesorios de espuma. Retire el motor del empaque y ubíquelo sobre una alfombra o espuma para evitar daños en el acabado.

⚠ PRECAUCIÓN: Revise cuidadosamente todos los tornillos, tuercas y pernos del ensamble del motor del ventilador para comprobar que estén seguros.

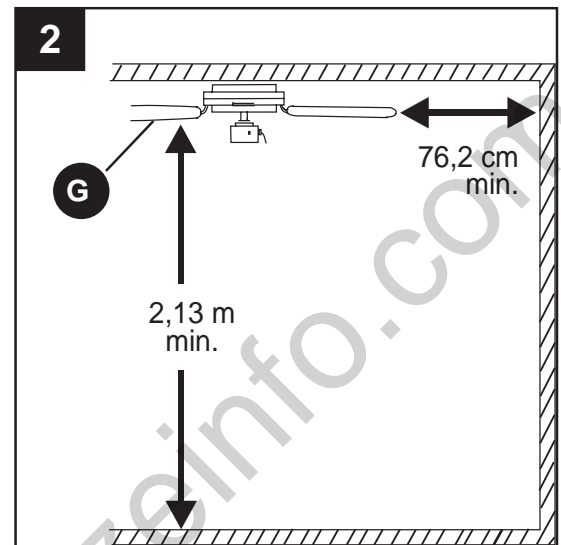
INSTALACION INICIAL

1. Interrumpa el suministro de energía del ventilador apagando los interruptores de circuito y el interruptor de pared. (Fig. 1)

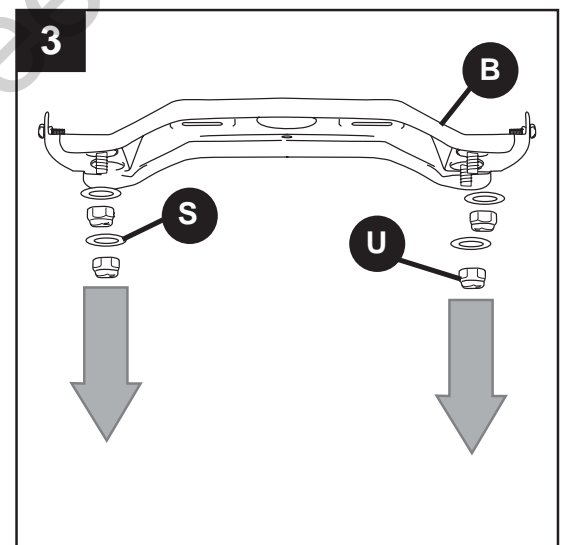
⚠ PELIGRO: Si no interrumpe el suministro de electricidad antes de la instalación, pueden producirse lesiones graves o la muerte.



2. Asegúrese de que las paletas (G) del ventilador quedarán a por lo menos 30 pulgadas (76,2 cm) de cualquier obstrucción y a por lo menos 7 pies (2,13 m) arriba del nivel del piso. (Fig. 2)



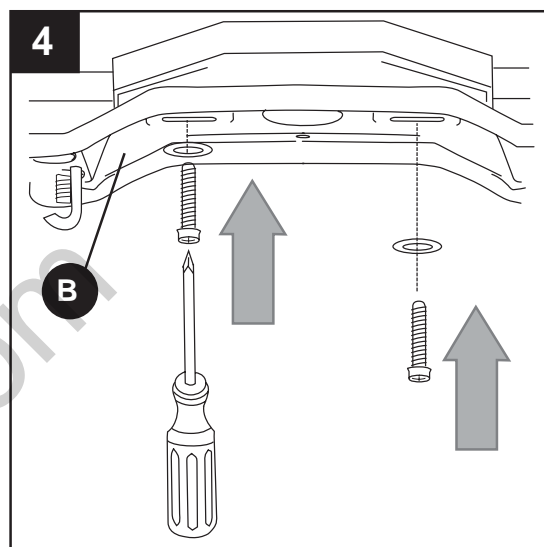
3. Quite todas las tuercas del soporte de montaje (U) y las arandelas planas del soporte de montaje (S) del soporte de montaje (B). (Fig. 3)



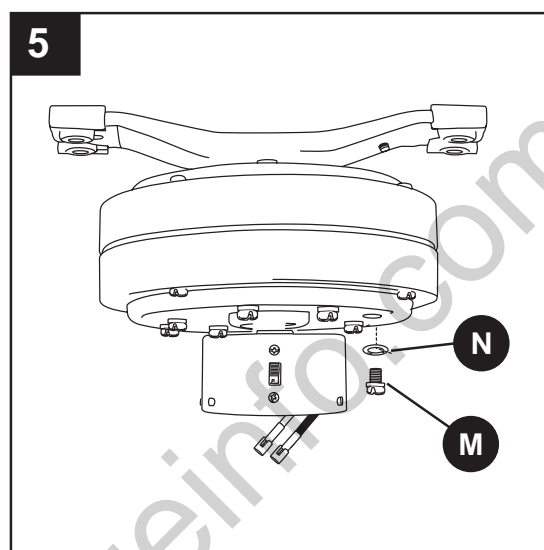
INSTALACION INICIAL

4. Asegure el soporte de montaje (B) a la caja de salida con los tornillos, las arandelas de resorte, y las arandelas planas provistos con la caja de salida. (Fig. 4)

***Nota:** Es muy importante usar los artículos de ferretería correctos al instalar el soporte de montaje (B) puesto que sirve para sostener el ventilador.

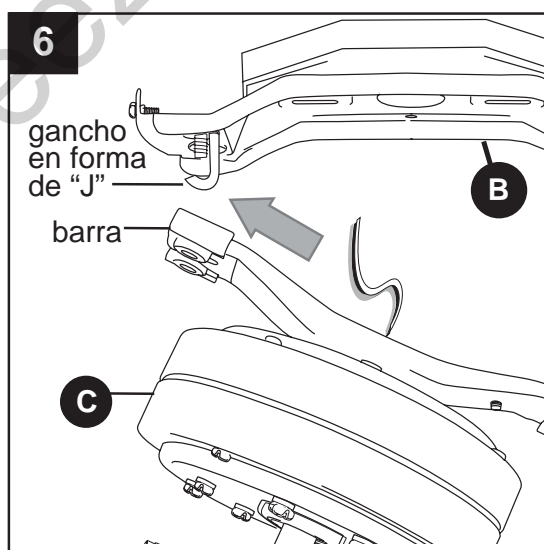


5. Saque los tornillos del motor (M) y las arandelas de seguridad 5,4 M/M (N) del lado inferior del motor y guárdelos para sujetar los brazos para las paletas (J) después. [Si se encuentran soportes de plástico instalados con los tornillos del motor (M) y las arandelas de seguridad (N), deseche los soportes de plástico.] (Fig. 5)



6. Coloque la ranura en la barra en la parte superior de la unidad del motor (C) encima del gancho en forma de "J" en el soporte de montaje (B) para sostener el ventilador mientras se hace la conexión de cables. (Fig. 6)

Importante: **No use** el extremo de la barra en la unidad del motor (C) con el agujero redondo pequeño para colocar la unidad del motor (C) en el soporte de montaje (B).



CONEXION DE LOS CABLES

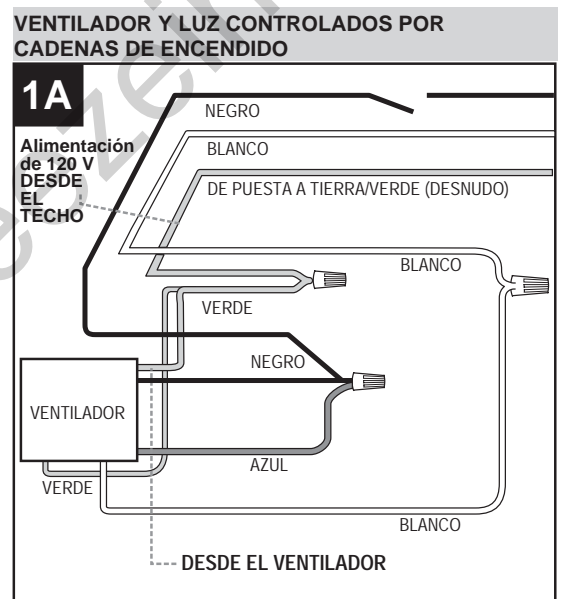
⚠️ ADVERTENCIA: Para reducir el riesgo de incendios, descargas eléctricas o lesiones personales, los conectores de cables incluidos con este ventilador están diseñados para soportar sólo un cable interior de calibre 12 y dos cables conductores del ventilador. Si el cable interior es de un calibre superior a 12 o hay más de un cable interior para conectar los dos cables conductores del ventilador, pregúntele a un electricista cuál es el tamaño adecuado de los conectores de cables que debe utilizar.

⚠️ PRECAUCIÓN: Asegúrese de que la caja de salida tenga la debida puesta a tierra y de que haya un conductor (verde o desnudo) de puesta a tierra.

⚠️ ADVERTENCIA: Si los cables de la casa no tienen los mismos colores que se mencionan en los siguientes pasos, deténgase de inmediato. Se recomienda que un electricista profesional determine el cableado adecuado.

1. Escoja el diagrama de cableado (Fig. 1A, Fig. 1B o Fig. 1C) que se ajuste a su situación y realice las conexiones del cableado adecuadas como se indica a continuación: [NOTA: Para cada conexión de cables a continuación, utilice uno de los conectores de cables (CC) provistos, asegurándose de atornillar el conector de cables (CC) en dirección de las manecillas del reloj].

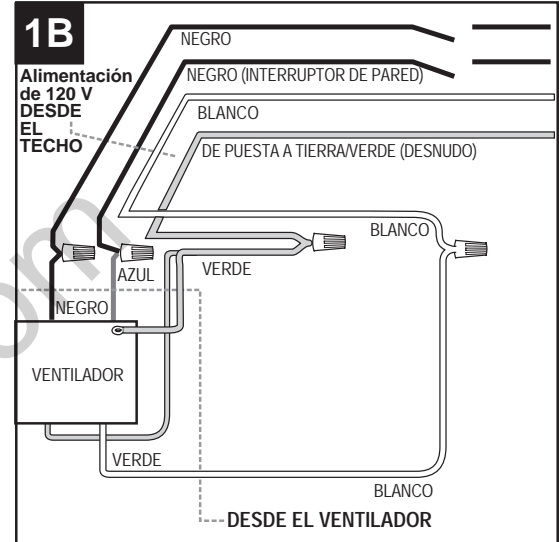
1A. VENTILADOR Y LUZ CONTROLADOS POR CADENAS DE ENCENDIDO: Conecte el cable **NEGRO** y el **AZUL** del ventilador al cable **NEGRO** del techo. Conecte el cable **BLANCO** del ventilador al cable **BLANCO** del techo. Conecte todos los **CONDUCTORES A TIERRA** (cables **VERDES**) juntos desde el ventilador (en la unidad del motor [C] y el soporte de montaje [B]) al cable **PELADO/VERDE** del techo. (Fig. 1A)



CONEXION DE LOS CABLES

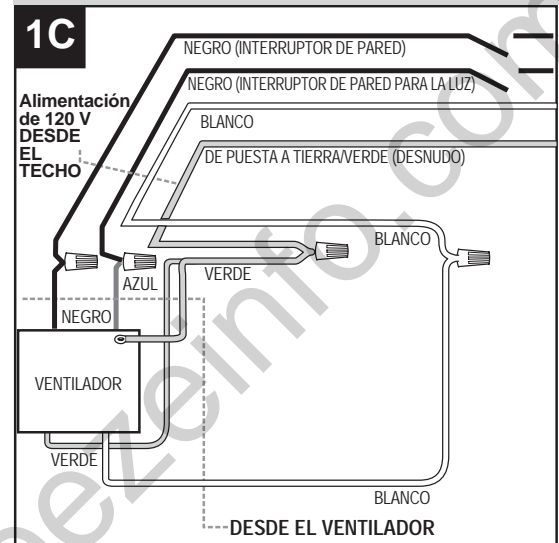
1B. VENTILADOR CONTROLADO POR CADENA DE ENCENDIDO Y LUZ CONTROLADA POR INTERRUPTOR DE PARED: Si desea controlar la luz del ventilador con un interruptor de pared separado, conecte el conductor **NEGRO** del ventilador con el conductor **NEGRO** del techo. Conecte el conductor **AZUL** del ventilador al conductor **NEGRO** del interruptor de pared independiente para la luz. Conecte el conductor **BLANCO** del ventilador al conductor **BLANCO** del techo. Conecte todos los conductores de **PUESTA A TIERRA (VERDES)** juntos desde el ventilador (en la unidad del motor [C] y el soporte de montaje [B]) con el conductor **DESNUDO** o **VERDE** del techo. (Fig. 1B)

VENTILADOR CONTROLADO POR CADENA DE ENCENDIDO Y LUZ CONTROLADA POR INTERRUPTOR DE PARED



1C. VENTILADOR Y LUZ CONTROLADOS POR DOS INTERRUPTORES DE PARED: Si desea controlar el ventilador y la luz con interruptores de pared separados, conecte el conductor **NEGRO** del ventilador al conductor **NEGRO** del interruptor de pared independiente para el ventilador. Conecte el conductor **AZUL** del ventilador al conductor **NEGRO** del otro interruptor de pared independiente para la luz. Conecte el conductor **BLANCO** del ventilador al conductor **BLANCO** del techo. Conecte todos los conductores de **PUESTA A TIERRA (VERDES)** juntos desde el ventilador (en la unidad del motor [C] y el soporte de montaje [B]) con el conductor **DESNUDO** o **VERDE** del techo. (Fig. 1C)

VENTILADOR Y LUZ CONTROLADOS POR DOS INTERRUPTORES DE PARED



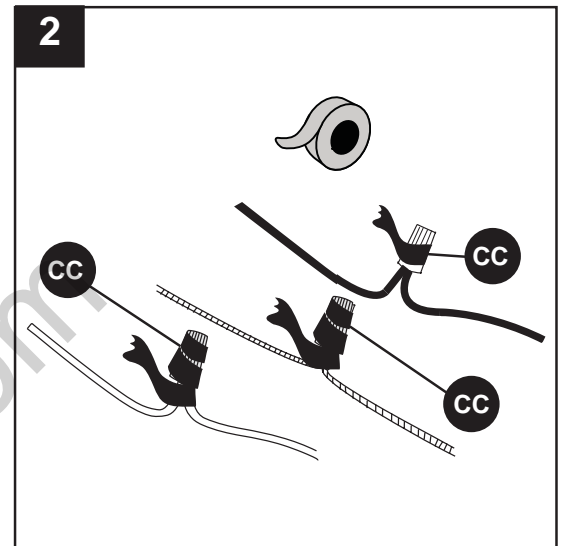
NOTA: El conductor negro es el que proporciona alimentación al ventilador. El conductor azul es el que proporciona alimentación al juego de luz. El conductor blanco es el conductor común para el ventilador y el juego de luz. El conductor verde o desnudo es la puesta a tierra.

CONEXIÓN DE LOS CABLES

- Envuelva con cinta aislante (no incluido) cada conector de cables (CC) individual hacia abajo del cable como se muestra en la Fig. 2.

⚠ ADVERTENCIA: Asegúrese de que no haya conductores desnudos ni filamentos de conductores visibles después de hacer la conexión. Coloque las conexiones verdes y blancas en el lado opuesto de las conexiones negras y azules de la caja (si corresponde).

Gire los conductores empalmados o cubiertos con cinta hacia arriba y empuje suavemente los conductores y los conectores de cables (CC) hacia dentro de la caja de salida.



Artículos de ferretería que se usaron

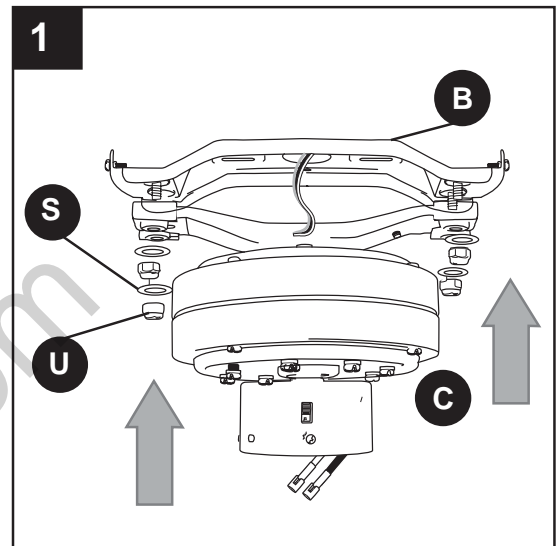
- CC** Conector de cables E3  x4

- IMPORTANTE:** El uso de un regulador de intensidad de rango completo (no incluido) para controlar la velocidad del ventilador provocará un zumbido intenso del ventilador. Para reducir el riesgo de incendios o descargas eléctricas, NO use un regulador de intensidad de rango completo para controlar la velocidad del ventilador. (Fig. 3)

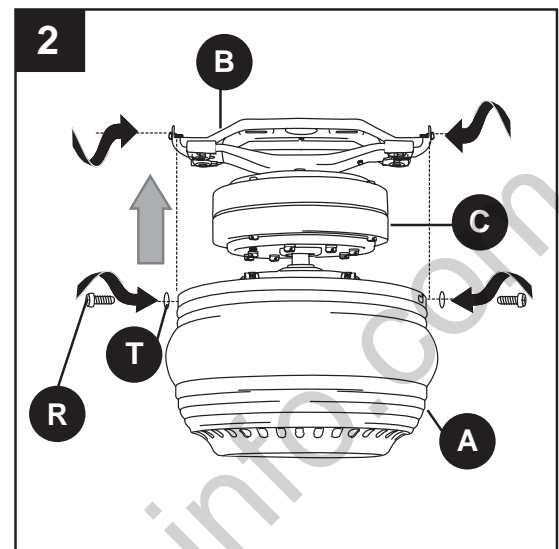


INSTALACION FINAL

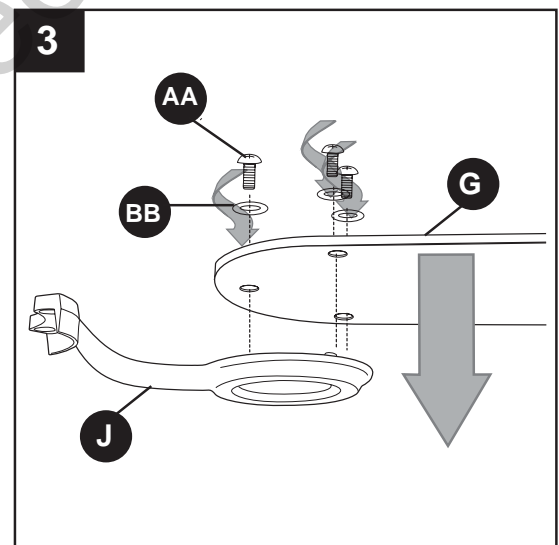
1. Quite la unidad del motor (C) del gancho en forma de "J". Alinee los agujeros en la unidad del motor (C) con los agujeros en el soporte de montaje (B). Asegure la unidad del motor (C) con las arandelas planas del soporte de montaje (S) y las tuercas del soporte de montaje (U) que se quitaron anteriormente (paso 3, página 24). (Fig. 1)





2. Temporalmente levante el bastidor del motor (A) al soporte de montaje (B) para determinar cuáles dos tornillos del bastidor del motor (R) que se encuentran en las orillas del soporte de montaje (B) se alinean con los agujeros con ranura en el borde superior del bastidor del motor (A) y afloje dichos tornillos del bastidor del motor (R) parcialmente. Quite los otros dos tornillos del bastidor del motor (R) y las arandelas de seguridad del bastidor del motor (T). Pase el bastidor del motor (A) por encima de la unidad del motor (C), alineando los agujeros con ranura en el bastidor del motor (A) con los tornillos del bastidor del motor (R) aflojados en el soporte de montaje (B). Gire el bastidor del motor (A) para cerrarlo. Vuelva a introducir los otros dos tornillos del bastidor del motor (R), junto con las arandelas de seguridad del bastidor del motor (T), que se quitaron anteriormente. Apriete bien todos los tornillos del bastidor del motor (R). (Fig. 2)



3. Parcialmente introduzca tres tornillos para paleta (AA), junto con tres arandelas de fibra para la paleta (BB), para fijar el brazo de la paleta (J) a una paleta (G). Luego, apriete cada tornillo para paleta (AA), empezando con el de en medio. (Fig. 3) Repita esto con las demás paletas (G).



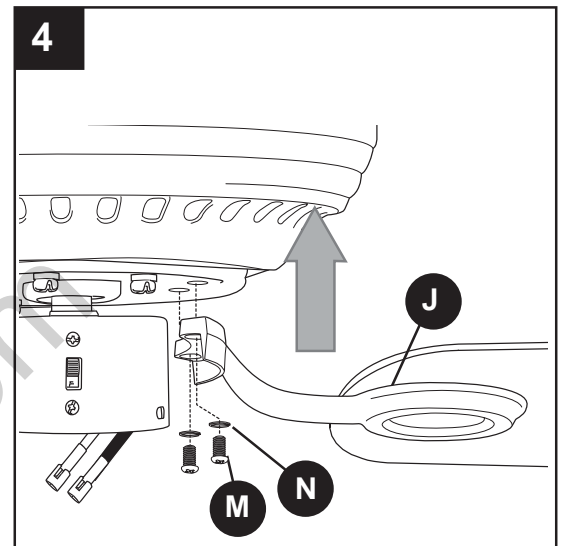
Artículos de ferretería

AA	Tornillo para paleta		x15
BB	Arandela de fibra para la paleta		x15

INSTALACION FINAL

- Localice los tornillos del motor (M) y las arandelas de seguridad 5,4 M/M (N) que se quitaron en el paso 5 de la página 25.

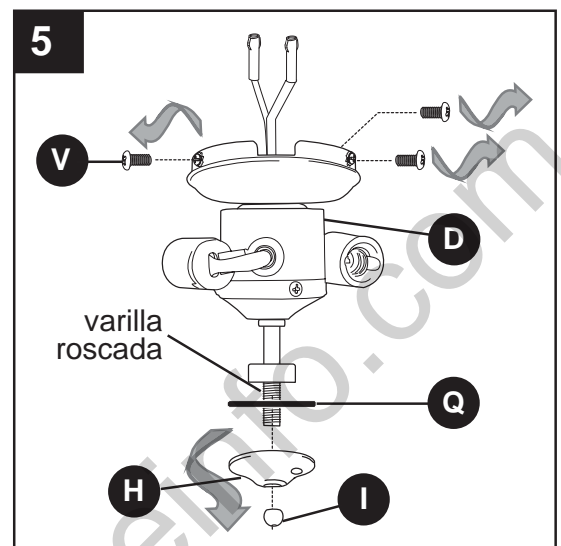
Introduzca dos tornillos del motor (M), junto con las arandelas de seguridad 5,4 M/M (N), en uno de los brazos para la paleta (J) para sujetar el brazo para la paleta (J) al motor. Apriete bien los tornillos del motor (M). (Fig. 4) Repita esto con los demás brazos para las paletas (J), asegurándose de asegurar cada brazo para la paleta (J) antes de seguir con el próximo.



- Quite tres tornillos para la cubierta de la caja del interruptor (V) de la parte superior del conector para el juego de luz (D).

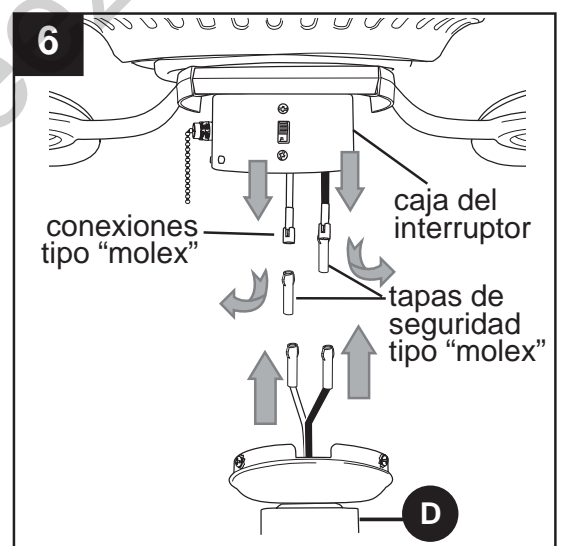
Si desea utilizar el juego de luz, quite el adorno con rosca (I), la placa del adorno con rosca (H) y la arandela de hule (Q) de la parte inferior del conector para el juego de luz (D). (Fig. 5) *Guarde el adorno con rosca (I), la placa del adorno con rosca (H) y la arandela de hule (Q) para uso más adelante. Continúe con el paso 6.*

Si NO desea utilizar el juego de luz, por favor pase a la sección "El instalar el ventilador sin el juego de luz incluido (opcional)" en la página 33.



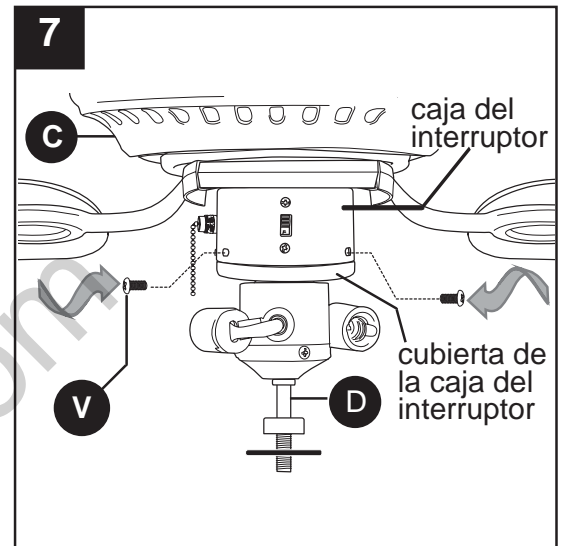
- Localice los cables **AZUL** (o **NEGRO**) y **BLANCO** en la caja del interruptor etiquetados "FOR LIGHT" (para la luz) y quite el plástico que liga los dos cables. Además, quite las tapas de seguridad tipo "molex" del fondo de los cables **AZUL** (o **NEGRO**) y **BLANCO**. Puede que sea necesario jalar las tapas de seguridad tipo "molex" firmemente para quitarlas. (Fig. 6)

Conecte el cable **BLANCO** de la caja del interruptor al cable **BLANCO** del conector para el juego de luz (D). Conecte el cable **AZUL** (o **NEGRO**) de la caja del interruptor al cable **NEGRO** del conector para el juego de luz (D). Asegúrese de que las conexiones tipo "molex" estén bien sujetas. (Fig. 6)



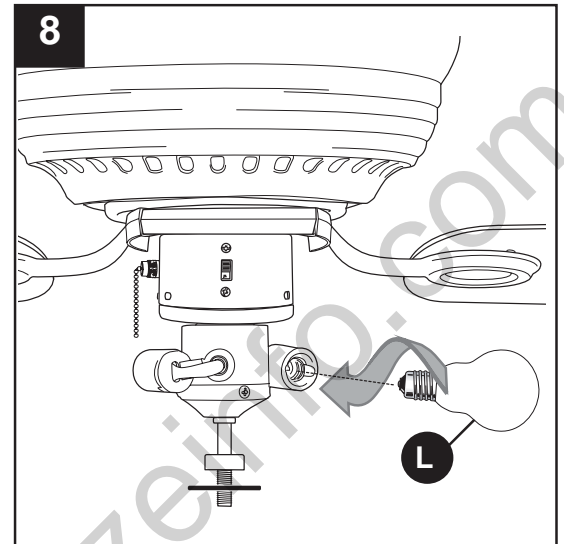
INSTALACION FINAL

7. Para sujetar el conector para el juego de luz (D) a la unidad del motor (C), alinee los agujeros en la cubierta de la caja del interruptor con los agujeros en la caja del interruptor. (Esté seguro de alinear la abertura en el borde superior de la cubierta de la caja del interruptor con el interruptor de reversa en la caja del interruptor para que se encajen bien.) Vuelva a introducir los tornillos para la cubierta de la caja del interruptor (V) que se quitaron en el paso 5 de la página anterior, y asegure todos los tornillos para la cubierta de la caja del interruptor (V) con un destornillador Phillips (no incluido). (Fig. 7)



8. Instale las tres bombillas de base candelabro (L) de 40 vatios incluidas. (Fig. 8)

Importante: Cuando necesite reemplazar las bombillas, por favor permita que se enfríen las bombillas y el juego de luz antes de tocar las bombillas o el juego de luz.



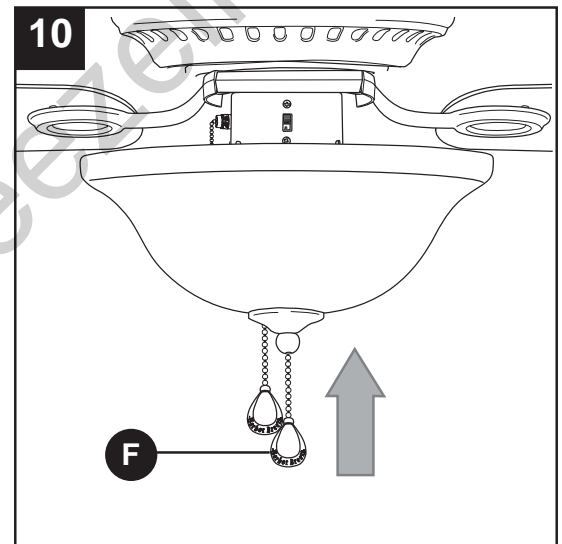
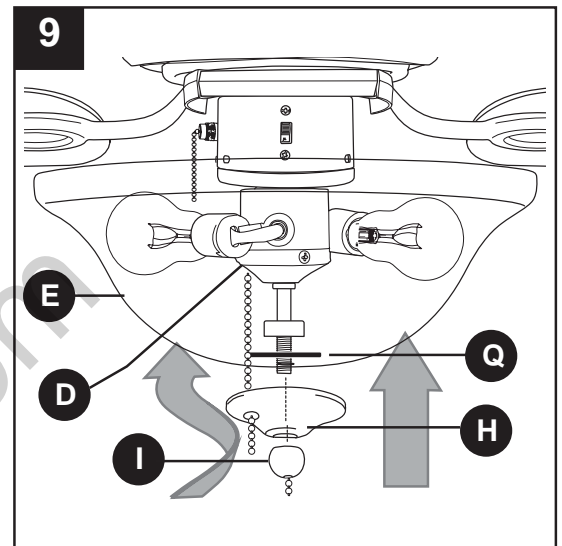
INSTALACION FINAL

- Localice la arandela de hule (Q), la placa del adorno con rosca (H), y el adorno con rosca (I) que se quitaron anteriormente. Ponga la arandela de hule (Q) dentro de la pantalla de vidrio (E) encima del agujero de en medio. Levante la pantalla de vidrio (E) para que pasen las cadenas de encendido por los agujeros correspondientes en la parte inferior de la pantalla de vidrio (E). Alinee el agujero de en medio de la pantalla de vidrio (E) con la varilla roscada en el conector del juego de luz (D) y, con cuidado, empuje hacia arriba hasta que la varilla roscada pase por el agujero. *(Asegúrese de que la cadena de encendido del ventilador no roce las bombillas cuando esté prendido el ventilador.)* (Fig. 9)

Alinee el agujero de en medio de la placa del adorno con rosca (H) con la varilla roscada, dejando que las cadenas de encendido pasen por los agujeros correspondientes en la placa del adorno con rosca (H) y empuje hacia arriba. Pase la cadena de encendido de en medio por el agujero en el adorno con rosca (I) y asegure la pantalla de vidrio (E) apretando el adorno con rosca (I). (Fig. 9)

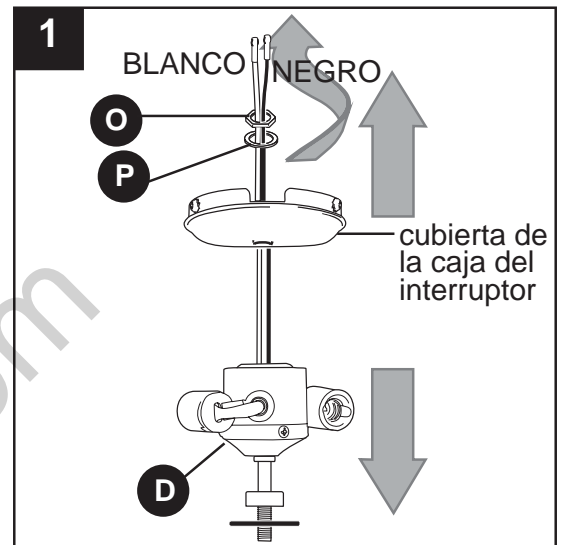
Nota: No apriete demasiado el adorno con rosca (I) ya que el vidrio se puede rajarse o romper.

- Fije las extensiones para las cadenas de encendido (F) provistas en uno de los paquetes de artículos de ferretería a las cadenas de encendido para el ventilador y la luz o use extensiones para cadenas de encendido hechas a medida (no incluidas). (Fig. 10)

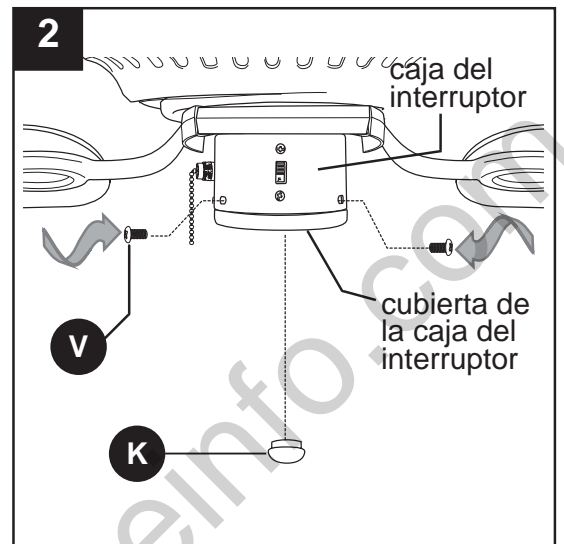


EL INSTALAR EL VENTILADOR SIN EL JUEGO DE LUZ INCLUIDO (OPCIONAL)

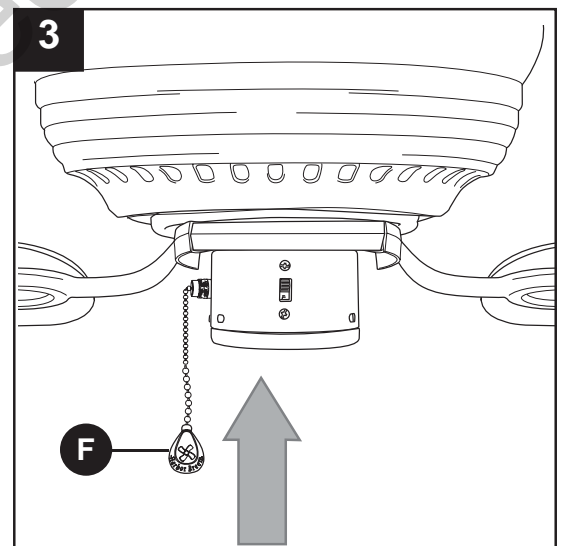
1. **Si NO desea usar el juego de luz,** quite la tuerca hexagonal (O) y la arandela de seguridad (P) de la varilla roscada localizada en la parte superior del conector para el juego de luz (D). Destornille la cubierta de la caja del interruptor para quitar el conector para el juego de luz (D), y luego con cuidado pase los cables **NEGRO** y **BLANCO** del conector para el juego de luz (D) por el agujero de en medio de la cubierta de la caja del interruptor. (Fig. 1)



2. Localice la tapa (K) en uno de los paquetes de artículos de ferretería y ponga la tapa (K) firmemente en el agujero de en medio de la cubierta de la caja del interruptor. Alinee los agujeros en la cubierta de la caja del interruptor con los agujeros en la caja del interruptor. (Esté seguro de alinear la abertura en el borde superior de la cubierta de la caja del interruptor con el interruptor de reversa en la caja del interruptor para que se encajen bien.) Fije la cubierta de la caja del interruptor con los tres tornillos para la cubierta de la caja del interruptor (V) que se quitaron en el paso 5 de la sección "Instalación final" (página 30). Apriete bien los tres tornillos para la cubierta de la caja del interruptor (V). (Fig. 2)

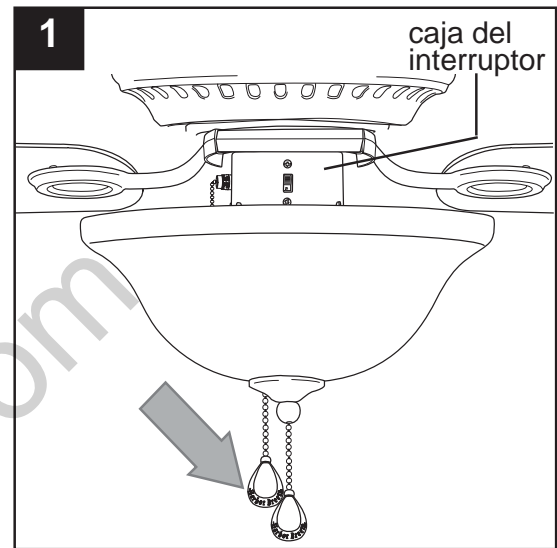


3. Se puede fijar la extensión para la cadena de encendido (F) provista en uno de los paquetes de artículos de ferretería a la cadena de encendido para el ventilador o usar extensión para cadena de encendido hecha a medida (a la venta por separado). (Fig. 3)

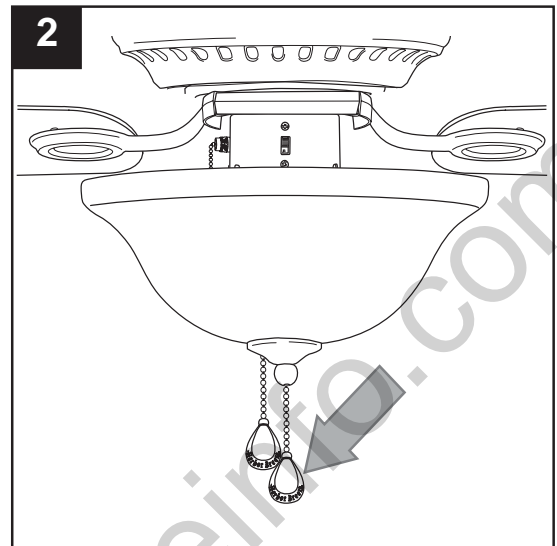


INSTRUCCIONES DE FUNCIONAMIENTO

1. La cadena de encendido localizada en la caja del interruptor tiene cuatro posiciones para controlar la velocidad del **ventilador**. Jálela una vez para la velocidad ALTA, dos veces para la velocidad MEDIA, tres veces para la velocidad BAJA y cuatro veces para APAGAR el ventilador. (Fig. 1)

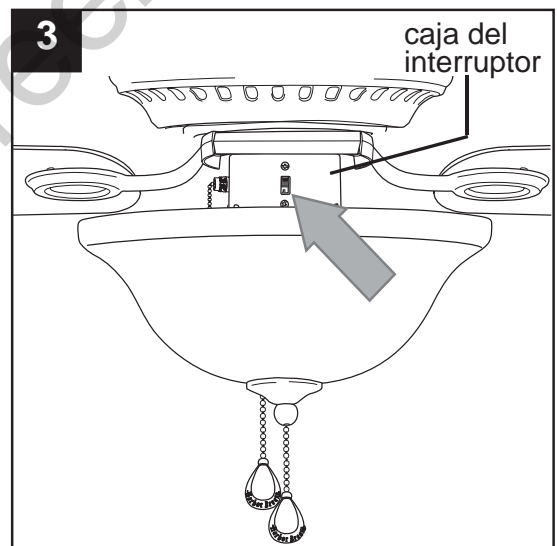


2. La cadena de encendido localizada de en medio se usa para ENCENDER o APAGAR la **luz**. (Fig. 2)



3. Use el interruptor de reversa, localizado en la caja del interruptor, para optimizar el uso del ventilador durante las estaciones del año. (Fig. 3) Un ventilador de techo le permitirá subir el termostato en verano y bajarlo en invierno sin notar una diferencia en su comodidad.

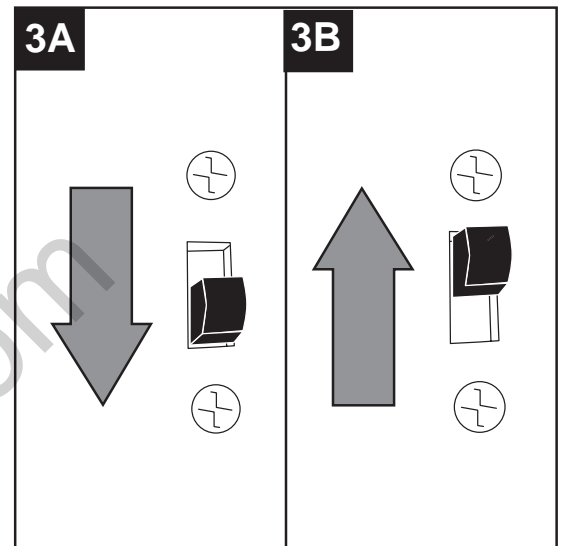
NOTA: Espere a que se detenga completamente el ventilador antes de usar el interruptor de reversa.



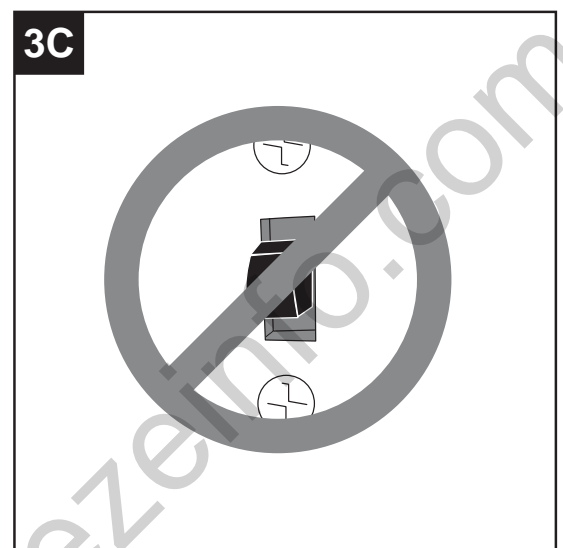
INSTRUCCIONES DE FUNCIONAMIENTO

3A. En un clima más **caluroso**, el poner el interruptor de reversa en posición **BAJA** producirá un flujo de aire descendente creando un efecto de viento refrescante. (Fig. 3A)

3B. En un clima más **fresco**, el poner el interruptor de reversa en posición **ALTA** producirá un flujo de aire ascendente que podrá servir para mover el aire caliente acumulado en el techo. (Fig. 3B)



3C. **IMPORTANTE:** Hay que mover el interruptor de reversa o **completamente** hacia **ARRIBA** o **completamente** hacia **ABAJO** para que funcione el ventilador. Si el interruptor de reversa está puesto en la posición *de en medio* (Fig. 3C), no funcionará el ventilador.



CUIDADO Y MANTENIMIENTO

Baje el bastidor del motor (A) para inspeccionar la unidad del motor (C) por lo menos dos veces al año, y luego apriete todos los tornillos. Limpie el bastidor del ventilador (A) solamente con un cepillo suave o un paño que no tenga pelusa para no rayar el acabado. Limpie las paletas (G) con un paño que no tenga pelusa. De vez en cuando usted puede lustrar las paletas de madera con un poco de cera para muebles como una protección adicional.

Importante: Apague la fuente principal del suministro de electricidad antes de iniciar cualquier tipo de mantenimiento. No use agua ni un paño húmedo para limpiar el ventilador.

LOCALIZACION DE FALLAS

Si tiene preguntas relacionadas con el producto, llame al departamento de servicio al cliente al **1-800-527-1292**, de lunes a viernes de 8:30 a.m. a 5 p.m., hora central estándar.

⚠ Advertencia: Antes de comenzar cualquier trabajo, desconecte el suministro de electricidad para evitar descargas eléctricas.

PROBLEMA	CAUSA POSIBLE	ACCIÓN CORRECTIVA
El ventilador no se mueve.	<ol style="list-style-type: none"> 1. El interruptor de reversa no está activado. 2. No hay alimentación eléctrica o hay un fusible quemado. 3. Conexión de cables defectuosa. 	<ol style="list-style-type: none"> 1. Mueva firmemente el interruptor hacia arriba o hacia abajo. 2. Conecte la alimentación eléctrica o revise el fusible. 3. Desconecte la alimentación. Afloje el bastidor del motor (A) y revise todas las conexiones.
Funcionamiento ruidoso.	<ol style="list-style-type: none"> 1. Las paletas (G) están sueltas. 2. Hay una paleta (G) rota. 3. Se está utilizando un regulador de intensidad de rango completo. 4. El ventilador es nuevo. 5. El bastidor del motor (A) está flojo. 	<ol style="list-style-type: none"> 1. Apriete todos los tornillos para paletas (AA). 2. Reemplace las paletas (G). 3. Reemplace por un dispositivo de control de velocidad autorizado. 4. Permita unos días para que el motor del ventilador se equilibre, especialmente al usar el ventilador a velocidad media o alta. 5. Apague la electricidad. Afloje el bastidor del motor (A) y verifique que el soporte de montaje (B) esté bien sujeto según las instrucciones de la página 29.
Tambaleo excesivo.	<ol style="list-style-type: none"> 1. Las paletas (G) están flojas. 2. No se instalaron correctamente los brazos para las paletas (J). 3. Las paletas (G) no están equilibradas. 4. El ventilador no está sujetado bien. 	<ol style="list-style-type: none"> 1. Verifique que se instalaron bien los tornillos para paletas (AA). 2. Instale los brazos para las paletas (J) de nuevo. 3. Intercambie una paleta (G) con otra del lado contrario. 4. Apague la electricidad. Afloje el bastidor del motor (A) cuidadosamente y verifique que el soporte de montaje (B) esté bien sujeto.
El ventilador funciona pero la luz no.	<ol style="list-style-type: none"> 1. No se instalaron bien la(s) bombilla(s). 2. No se conectaron correctamente los cables en la caja de salida. 3. El interruptor de pared para el ventilador está apagado. 	<ol style="list-style-type: none"> 1. Instale la(s) bombilla(s) de nuevo. 2. Verifique que se conectaron bien los cables en la caja de salida y, si es necesario, vuelva a conectarlos según las instrucciones en las páginas 26 y 27. 3. Asegúrese de que el interruptor de pared del ventilador esté en la posición de encendido.

LOCALIZACION DE FALLAS

PROBLEMA	CAUSA POSIBLE	ACCIÓN CORRECTIVA
	4. Los cables no están conectados bien.	4. Verifique que las conexiones tipo "molex" en el conector para el juego de luz (D) estén bien conectados de acuerdo con las instrucciones de la página 30.

Nota: Un pequeño "tambaleo" es normal y no se debe considerar como defecto.

GARANTIA

GARANTIA LIMITADA DE POR VIDA: Litex Industries garantiza que este ventilador está libre de defectos de mano de obra y de materiales desde la fecha de salida de la fábrica por el tiempo de por vida limitada a partir de la fecha de compra. Esta garantía sólo se aplica al comprador original. Litex Industries se compromete a corregir cualquier defecto libre de cargo o, si lo considera necesario, a reemplazar el ventilador por un modelo equiparable o superior.

Para recibir servicio durante el período de garantía, debe presentar una copia del recibo como comprobante de compra. Cualquier costo derivado de la remoción y la re-instalación será responsabilidad explícita del comprador. Cualquier daño accidental al ventilador o por uso inadecuado o instalación incorrecta o por usar piezas no producidas por el fabricante de este ventilador o por la fijación de accesorios no producidos por el fabricante de este ventilador, será la responsabilidad del comprador. Litex Industries no se hace responsable en ningún modo de la instalación del ventilador durante el período de garantía limitada de por vida. Cualquier servicio prestado por una persona no autorizada invalida la garantía.

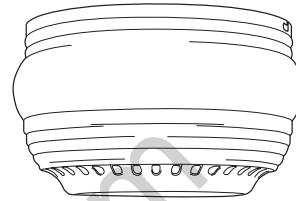
Debido a los distintos tipos de condiciones climáticas, esta garantía no cubre ningún cambio en el acabado bronce, ni por la oxidación, marcas, la decoloración, la corrosión ni el descascarillado del material. Se conserva la belleza de un ventilador con acabado bronce protegiéndolo de las diversas condiciones de clima. Las pantallas provistas con el ventilador no están cubiertas por la garantía.

Cualquier pieza defectuosa del ventilador de techo se debe reportar dentro del primer año desde la fecha de compra. Si desea que reparemos o reemplacemos su ventilador, llame a nuestro departamento de servicio al cliente (al **1-800-527-1292**) para obtener una autorización de devolución e instrucciones de envío. Cualquier ventilador o pieza devuelta en malas condiciones de empaquetamiento será la responsabilidad única del comprador. No existe ninguna otra garantía expresa. Litex Industries rehusa cualquier y toda garantía implícita. La duración de cualquier garantía implícita a la que no se pueda renunciar se limita al tiempo de por vida especificado en nuestra garantía limitada. Litex Industries no es responsable de daños incidentales, emergentes ni especiales surgidos de o con respecto al uso o el funcionamiento del producto, salvo previo acuerdo con la ley. Esta garantía le da derechos legales específicos y es posible que usted también tenga otros derechos que pueden variar de estado en estado. Esta garantía reemplaza toda garantía previa.

LISTA DE PIEZAS DE REPUESTOS

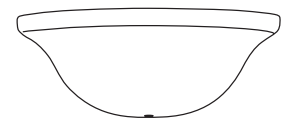
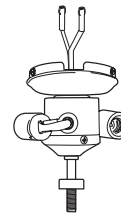
Para piezas de repuesto, llame a nuestro departamento de servicio al cliente al **1-800-527-1292**, de 8:30 a.m. a 5:00 p.m., hora central, de lunes a viernes. Al pedir piezas, por favor tenga listo el No. de modelo o No. de artículo del accesorio para iluminación, que se pueden encontrar en la página 19.

PIEZA	DESCRIPCION
A	Bastidor del motor
B	Soporte de montaje
D	Conectador para el juego de luz
E	Pantalla de vidrio
F	Extensión para la cadena
G	Paleta
H	Placa del adorno con rosca
I	Adorno con rosca
J	Brazo para la paleta
K	Tapa
M	Tornillo del motor
N	Arandela de seguridad 5,4 M/M
O	Tuerca hexagonal
P	Arandela de seguridad
Q	Arandela de hule
R	Tornillo del bastidor del motor
S	Arandela plana del soporte de montaje
T	Arandela de seguridad del bastidor del motor
U	Tuerca del soporte de montaje
V	Tornillo para la cubierta de la caja del interruptor
AA	Tornillo para paleta
BB	Arandela de fibra para la paleta
CC	Conector de cables E3



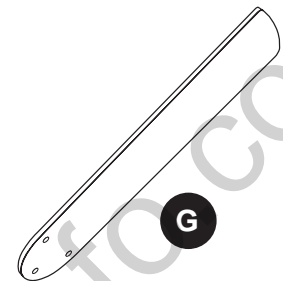
A

B



D

E



F

G



H

I



J

K

M

N

O



P

Q

R

S

T



U

V

AA

BB

CC