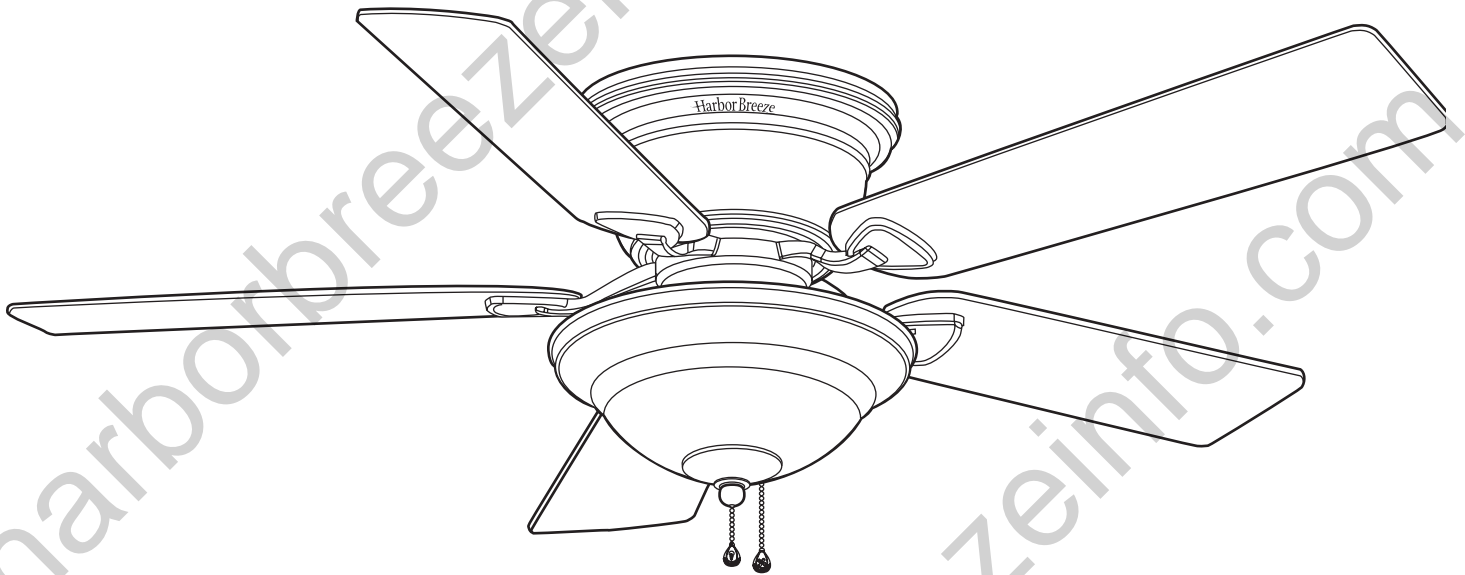




ITEM #0403520
**KEYPORT HUGGER
CEILING FAN**
MODEL #40141

Español p. 21

Harbor Breeze® is a registered trademark of LF, LLC. All Rights Reserved.



ATTACH YOUR RECEIPT HERE

Serial Number _____ Purchase Date _____



Questions, problems, missing parts? Before returning to your retailer, call our customer service department at 1-800-643-0067, 8 a.m. - 6 p.m., EST, Monday - Thursday, 8 a.m. - 5 p.m., EST, Friday.

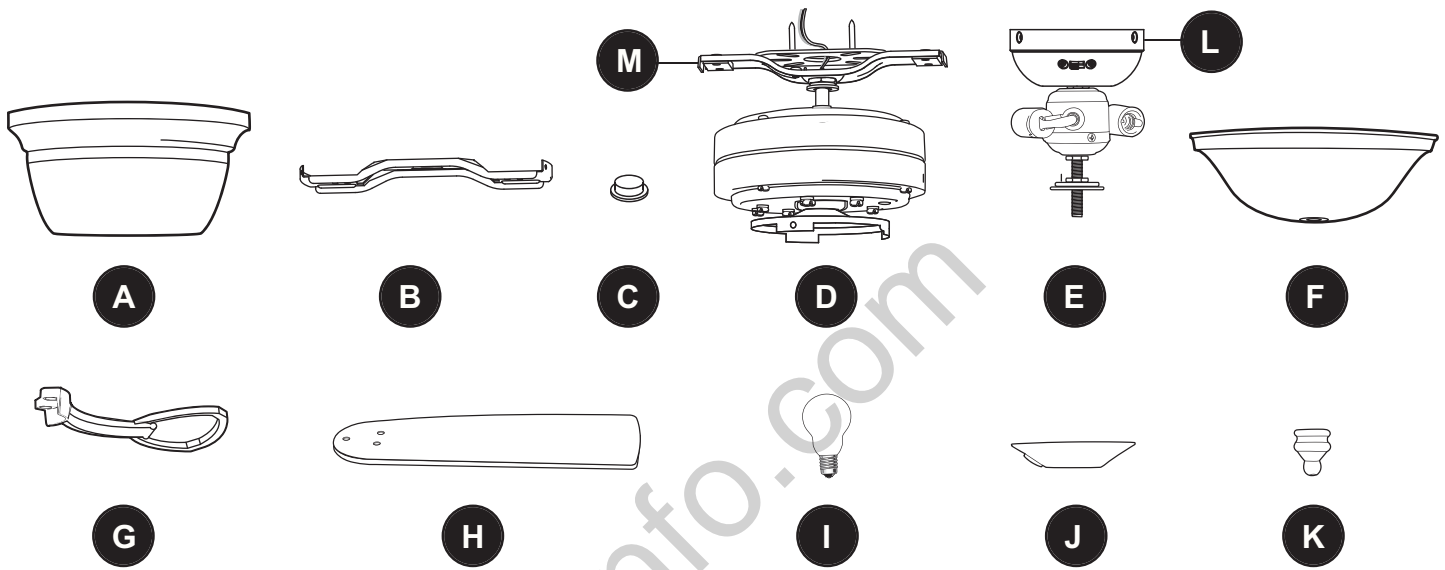


TABLE OF CONTENTS

Package Contents	3
Hardware Contents	4
Safety Information	5
Preparation	6
Initial Installation	7
Wiring	9
Final Installation.	11
Light Kit Installation	13
Fan Operation	16
Care and Maintenance	17
Troubleshooting	18
Limited Lifetime Warranty	19
Replacement Parts List	20



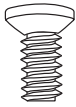
PACKAGE CONTENTS



PART	DESCRIPTION	QUANTITY
A	Motor Housing	1
B	Upper Mounting Bracket	1
C	Plastic Plug Button	1
D	Motor	1
E	Light Kit Fitter (preassembled to Switch Housing [L])	1
F	Glass Shade	1
G	Blade Arm	5
H	Blade	5
I	Bulb	3
J	Finial Plate (preassembled to Light Kit Fitter [E])	1
K	Finial (preassembled to Light Kit Fitter [E])	1
L	Switch Housing	1
M	Lower Mounting Bracket (preassembled to Motor [D])	1

HARDWARE CONTENTS

AA



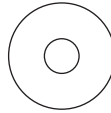
Motor Screw
Qty. 10 + 1 Extra

BB



Blade Screw
Qty. 15 + 1 extra

CC



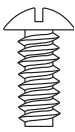
Blade Washer
Qty. 15 + 1 extra

DD



Wire Connector
Qty. 4

EE



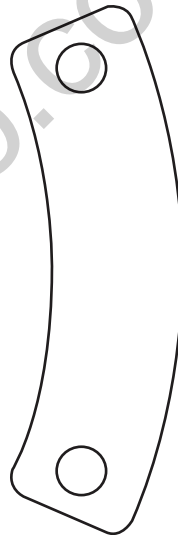
Mounting Bracket
Screw
Qty. 4
(preassembled to
Lower Mounting
Bracket (M))

FF



Hex Nut
Qty. 1
(preassembled to the
Light Kit Fitter (E))

GG



Blade Isolator
Qty. 5

HH



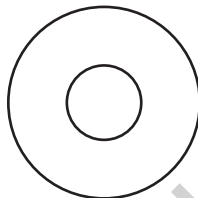
Motor Housing Screw
Qty. 4
(preassembled to
the Upper Mounting
Bracket (B))

II



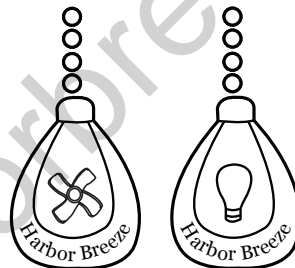
Fitter Plate Screw
Qty. 3
(preassembled to the
Motor (D))

JJ



Washer
Qty. 1
(preassembled to the
Light Kit Fitter (E))

KK





Pull Chain Extensions
Qty. 2


SAFETY INFORMATION


Please read and understand this entire manual before attempting to assemble, operate or install the product.


- Before you begin installing the fan, disconnect the power by removing fuses or turning off the circuit breakers.
- Make sure that all electrical connections comply with local codes, ordinances, the National Electrical Code, and ANSI/NFPA 70-199. Hire a qualified electrician or consult a do-it-yourself wiring handbook if you are unfamiliar with installing electrical wiring.
- Make sure the installation site you choose allows a minimum clearance of 7 ft. from the blades to the floor and at least 30 in. from the end of the blades to any obstruction.
- The net weight of this fan is: 16.12 lbs.


 **DANGER:** When using an existing outlet box, make sure the outlet box is securely attached to the building structure and can support the full weight of the fan. Failure to do this can result in serious injury or death. The stability of the outlet box is essential in minimizing wobble and noise in the fan after installation is complete.


 **WARNING:** To avoid personal injury, the use of gloves may be necessary while handling fan parts with sharp edges.


 **WARNING:** Using a full-range dimmer switch to control fan speed will cause a loud humming noise from the fan. To reduce the risk of fire or electric shock, do NOT use a full-range dimmer switch to control the fan speed.

 **WARNING:** To reduce the risk of fire, electric shock, or personal injury, mount the fan to an outlet box marked "ACCEPTABLE FOR FAN SUPPORT" and use the mounting screws provided with the outlet box. Most outlet boxes commonly used for the support of lighting fixtures are not acceptable for fan support and may need to be replaced. Consult a qualified electrician if in doubt. Secure the outlet box directly to the building structure. The outlet box and its support must be able to support the moving weight of the fan (at least 35 lbs.). Do NOT use a plastic outlet box.

 **WARNING:** To reduce the risk of fire, electrical shock, or personal injury, wire connectors provided with this fan are designed to accept only one 12-gauge house wire and two lead wires from the fan. If your house wire is larger than 12 gauges or there is more than one house wire to connect to the two fan lead wires, consult an electrician for the proper size wire connectors to use.

 **WARNING:** To reduce the risk of fire or electric shock, do not use the fan with any solid-state speed-control device or control the fan speed with a full-range dimmer switch.

 **WARNING:** To reduce the risk of fire, electric shock, or personal injury, do not bend the blade arms when installing them, balancing the blades, or cleaning the fan. Do not insert objects between the rotating fan blades.

 **WARNING:** To reduce the risk of personal injury, use only parts provided with this fan. The use of parts OTHER than those provided with this fan will void the warranty.



SAFETY INFORMATION

CAUTION: Read all instructions and safety information before installing your new fan. Review the accompanying assembly diagrams.

CAUTION: Be sure the outlet box is properly grounded or that a ground (green or bare) wire is present.

CAUTION: Carefully check all screws, bolts, and nuts on the fan motor assembly to ensure they are secured.

PREPARATION

Before beginning the assembly of this product, ensure all parts are present. Compare all parts with the package contents list and hardware contents list. If any part is missing or damaged, do not attempt to assemble the product.

After opening the top of the carton, remove the mounting hardware package from the foam inserts, then remove the motor from the packaging and place it on a soft surface, such as a carpet, to avoid damage to the finish.

Estimated Assembly Time: 90 minutes.

Tools Required for Assembly (not included): Electrical Tape, Phillips Screwdriver, Pliers, Safety Glasses, Step Ladder and Wire Strippers.

Helpful Tools (not included): AC Tester Light, Tape Measure, Wiring Handbook and Wire Cutters.



INITIAL INSTALLATION

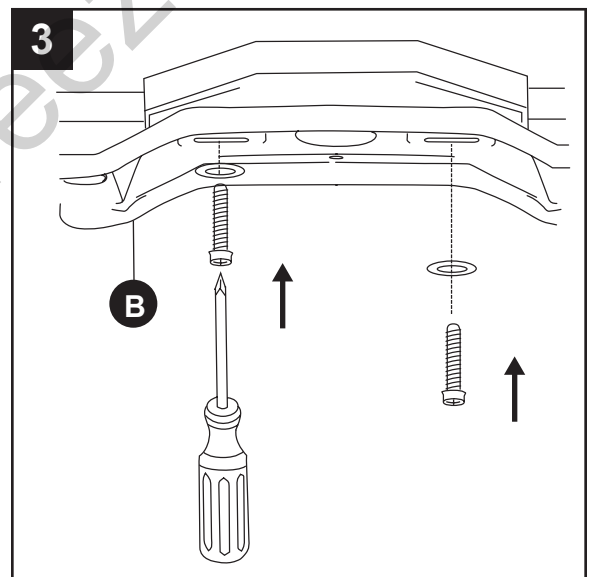
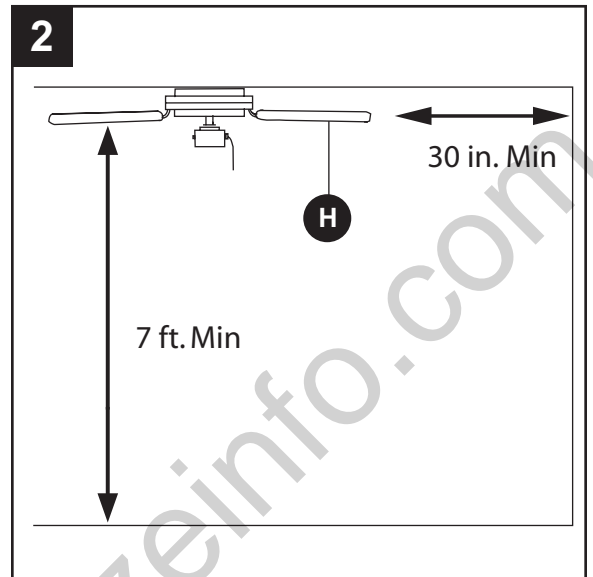
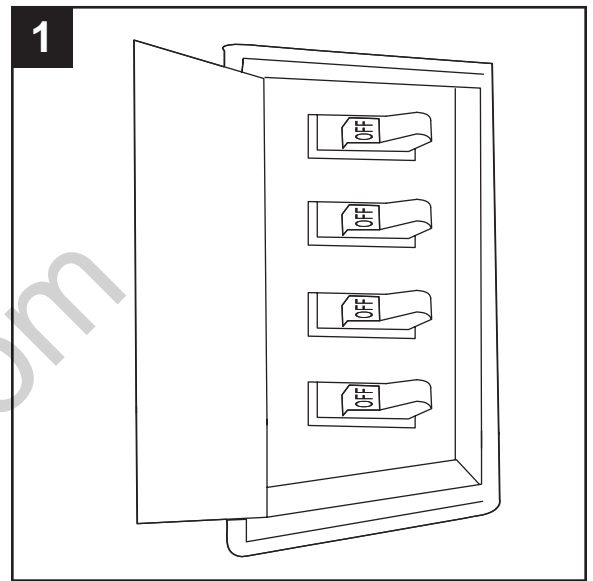
1. Turn off the circuit breakers and the wall switch to the fan supply line leads.

⚠ DANGER: Failure to disconnect the power supply prior to installation may result in serious injury or death.

2. Ensure the blades (H) will be at least 30 in. from any obstruction and at least 7 ft. above the floor.

3. Secure the upper mounting bracket (B) to the outlet box using screws, spring washers, and flat washers provided with the outlet box (not included).

Note: It is very important that you use the proper hardware when installing the mounting bracket (B) as this will support the fan.



INITIAL INSTALLATION

- Remove the mounting bracket screws (EE) from underneath the lower mounting bracket (M).

Hardware Used

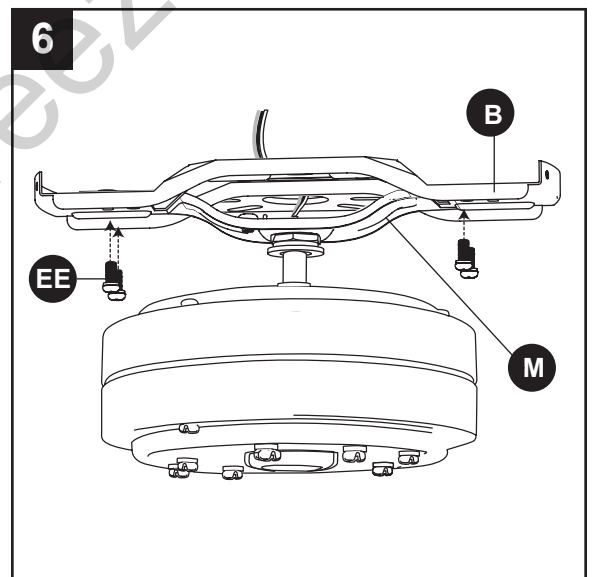
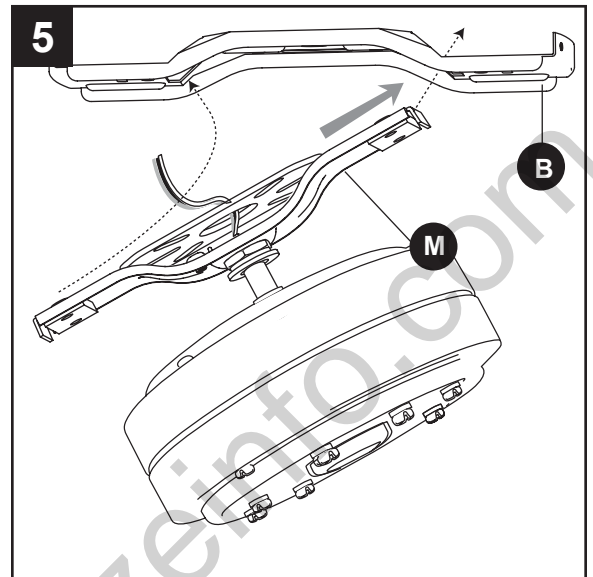
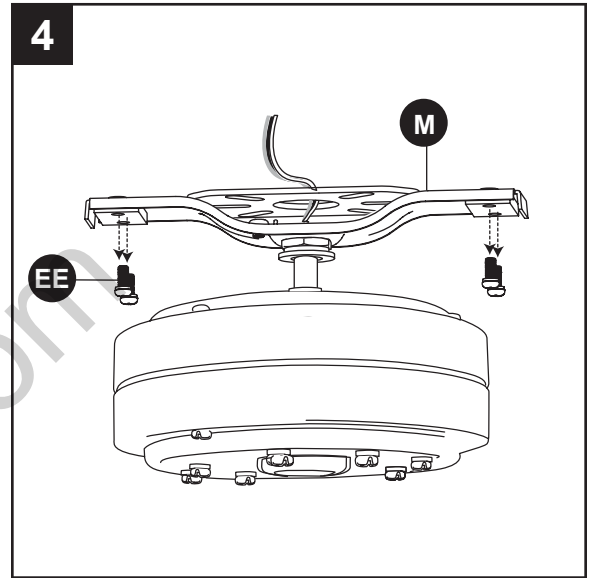
- EE** Mounting Bracket Screw  x 4

- Place a tab on the lower mounting bracket (M) into a slot in the upper mounting bracket (B). Then slide the second lower mounting bracket (M) tab into the second slot on the upper mounting bracket (B) until all four holes are in alignment.

- Reinstall the previously removed mounting bracket screws (EE) underneath the lower mounting bracket (M) and into the upper mounting bracket (B). Securely tighten the screws.

Hardware Used

- EE** Mounting Bracket Screw  x 4



WIRING

⚠ WARNING: To reduce the risk of fire, electrical shock, or personal injury, wire connectors provided with this fan are designed to accept only one 12-gauge house wire and two lead wires from the fan. If your house wire is larger than 12 gauges and there is more than one house wire to connect to the two fan lead wires, consult an electrician for the proper size wire connectors to use.

⚠ WARNING: If the house wires are different colors than referred to in the following step, stop immediately. A professional electrician is recommended to determine the correct wiring scheme.

CAUTION: Be sure the outlet box is properly grounded or that a Ground (Green or Bare) wire is present. Choose a wiring diagram from the three choices below that fits your situation and make the appropriate wiring connections as follows:

1A. FAN AND LIGHT CONTROLLED BY PULL CHAINS:

CHAINS: Connect the Black and Blue wires from the fan to the Black wire from the ceiling. Connect the White wire from the fan to the White wire from the ceiling. Connect all Ground (Green) wires together from the fan to the Bare/Green wire from the ceiling. Secure all wiring connections together with wire connectors (DD).

Hardware Used

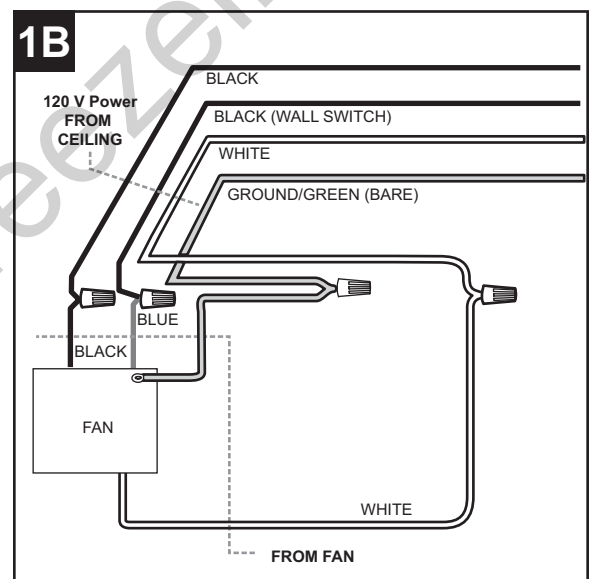
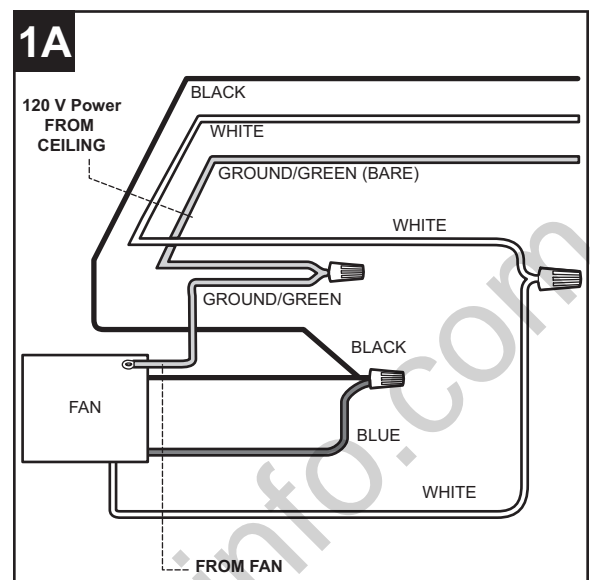
DD Wire Connector  x 3

1B. FAN CONTROLLED BY PULL CHAIN, LIGHT BY WALL SWITCH:

WALL SWITCH: To control the fan by pull chains and the light with a separate wall switch, connect the Black wire from the fan to the Black wire from the ceiling. Connect the Blue wire from the fan to the Black wire from the wall switch for the light. Connect the White wire from the fan to the White wire from the ceiling. Connect all Ground (Green) wires together from the fan to the Bare/Green wire from the ceiling. Secure all wiring connections together with wire connectors (DD).

Hardware Used

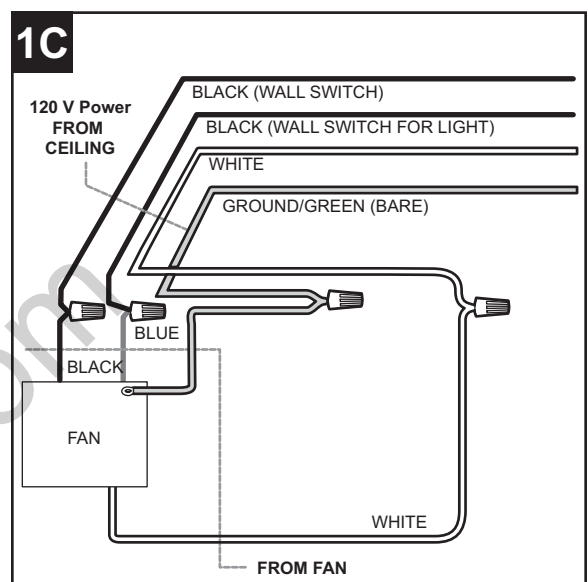
DD Wire Connector  x 4




WIRING

1C. FAN AND LIGHT CONTROLLED BY TWO WALL SWITCHES: To control the fan and light with separate wall switches, connect the Black wire from the fan to the Black wire from the wall switch for the fan. Connect the Blue wire from the fan to the Black wire from the wall switch for the light. Connect the White wire from the fan to the White wire from the ceiling. Connect all Ground (Green) wires together from the fan to the Bare/Green wire from the ceiling. Secure all wiring connections together with wire connectors (DD).

Note: The Black wire is hot power for the fan. The Blue wire is hot power for the light kit. The White wire is common for the fan and light kit. The Green (Bare) wire is ground.



Hardware Used

DD Wire Connector  x 4

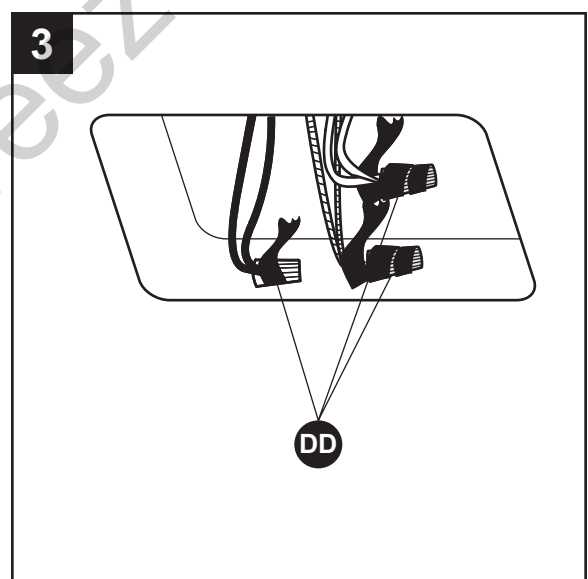
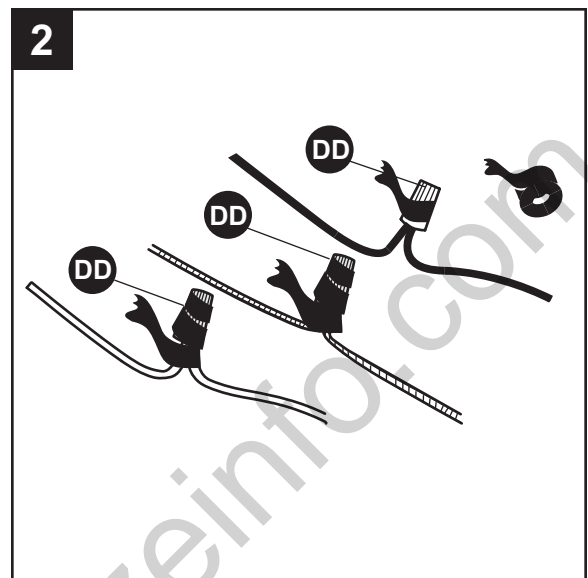
2. Wrap electrical tape (not included) around each individual wire connector (DD) down to the wire.

Hardware Used

DD Wire Connector  x 3

3. Turn the spliced/taped wires upward and gently push the wires and wire connectors (DD) into the outlet box.

! WARNING: Ensure no bare wire or wire strands are visible after making connections. Place the Green and White wire connections on opposite sides of the outlet box from the Black and Blue (if applicable) wire connections.

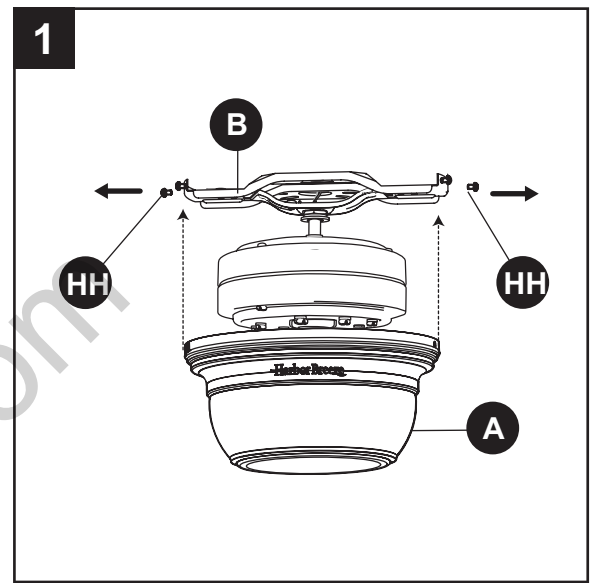


FINAL INSTALLATION

1. Temporarily lift the motor housing (A) to the mounting bracket (B) to determine which two motor housing screws (HH) in the sides of the mounting bracket (B) align with the slotted holes in the top edge of the motor housing (A). Partially loosen the two motor housing screws (HH) that align with the slotted holes. Remove the other two motor housing screws (HH) from opposite sides of the mounting bracket (B).

Hardware Used

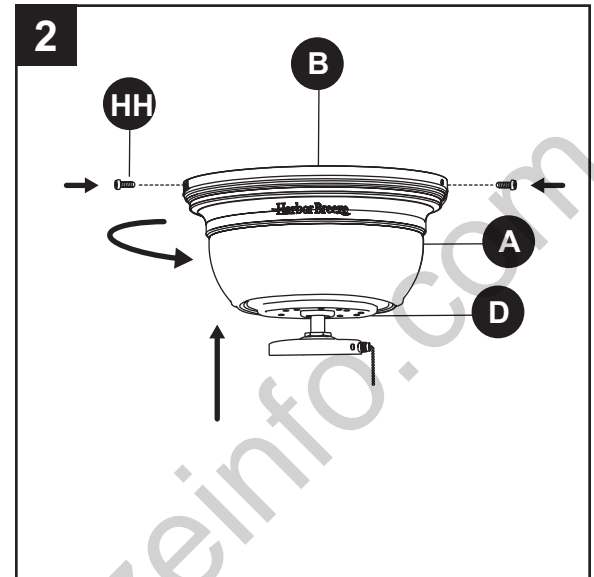
HH Motor Housing Screw  x 4



2. Slide the motor housing (A) over the motor (D), aligning the slotted holes in the motor housing (A) with the loosened motor housing screws (HH) in the mounting bracket (B). Twist the motor housing (A) to lock. Then re-insert the two previously-removed motor housing screws (HH) and securely tighten all screws.

Hardware Used

HH Motor Housing Screw  x 4

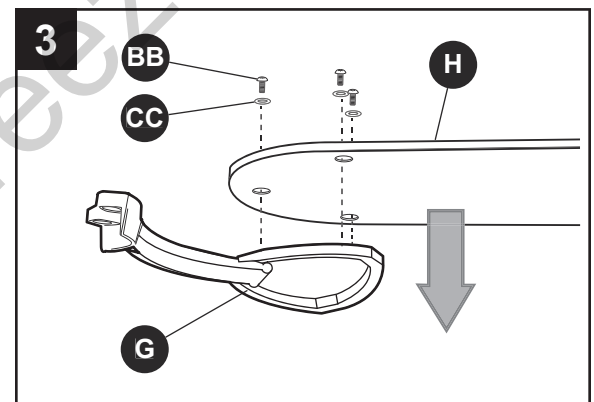


3. Partially insert three blade screws (BB) and blade washers (CC) through a blade (H) and into a blade arm (G). Tighten each blade screw (BB), starting with the one in the middle. Repeat this step for the remaining blades (H) and blade arms (G).

Hardware Used

BB Blade Screw  x 15

CC Blade Washer  x 15



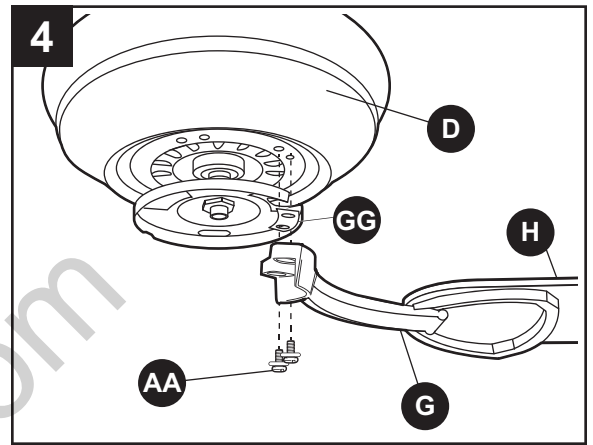
FINAL INSTALLATION

4. Insert two motor screws (AA) through one blade arm (G) and one blade isolator (GG) to attach the blade arm (G) to the motor (D). Tighten the motor screws (AA) securely. Repeat this step for the remaining blade arms (G), making sure to completely secure each blade arm (G) before proceeding with the next.

Hardware Used

AA Motor Screw  x 10

GG Blade Isolator  x 5



harborbreezeinfo.com

harborbreezeinfo.com

LIGHT KIT INSTALLATION

Note: If you wish to install the fan without the light kit, see Install the Fan Without The Light Kit on page 15.

1. Remove the three fitter plate screws (II) located on the fitter plate portion of the motor (D). Then connect the plug from the motor (D) to the plug from the switch housing (L), matching the colors on each plug. Ensure the plugs connect tightly.

Hardware Used



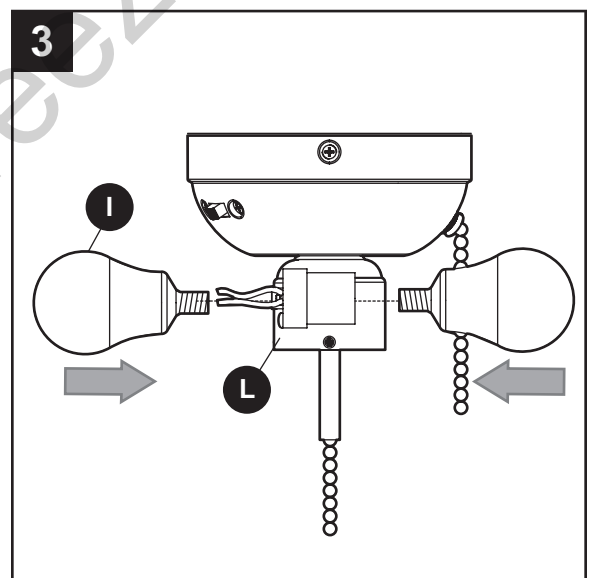
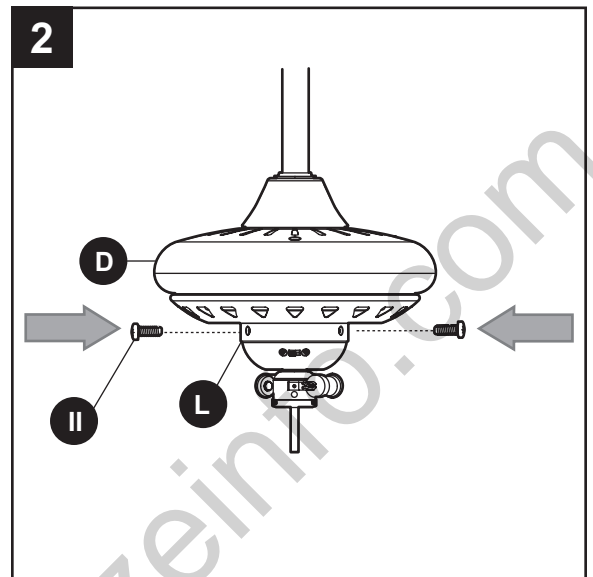
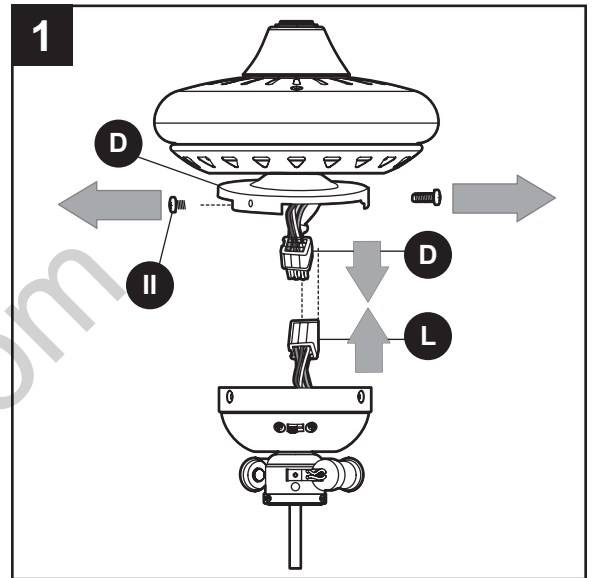
2. Align the holes in the switch housing (L) with the holes on the fitter plate portion of the motor (D). Re-insert the fitter plate screws (II) and secure them with a Phillips screwdriver.

Hardware Used



3. Install the bulbs (I) into the sockets on the switch housing (L).

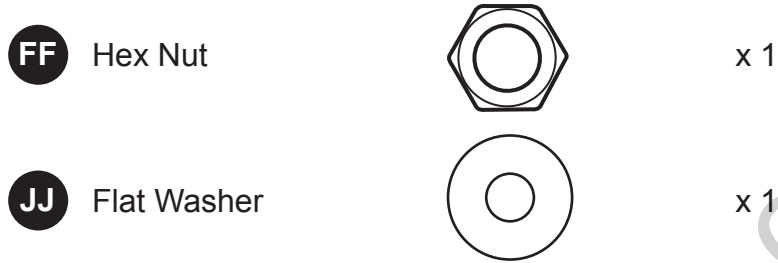
Important: Make sure you allow the bulbs (I) and light kit to cool before you replace the bulbs.



LIGHT KIT INSTALLATION

4. Remove the pre-installed flat washer (JJ), hex nut (FF), finial plate (J), and finial (K) from the switch housing (L).

Hardware Used



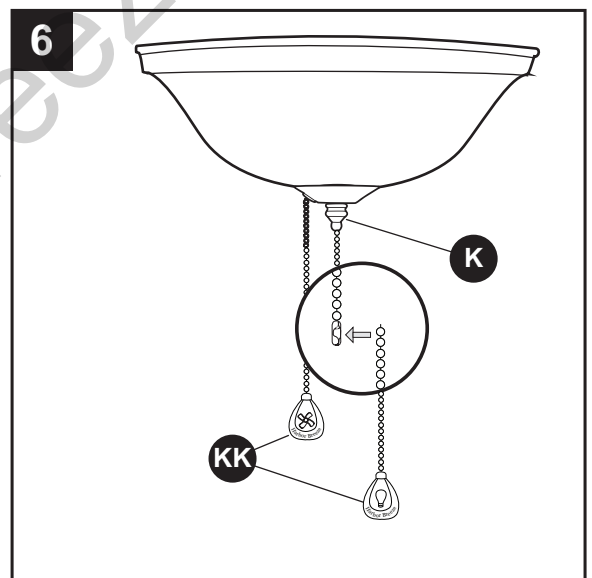
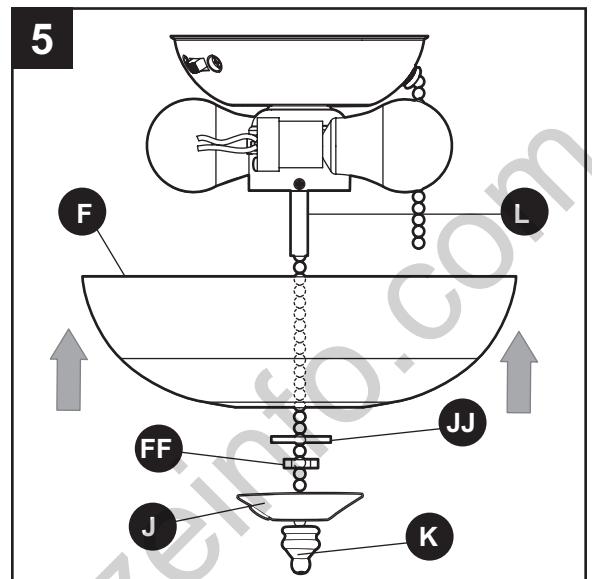
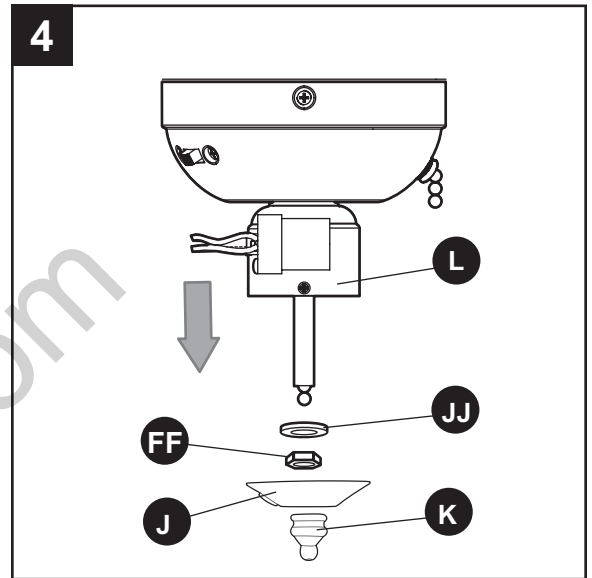
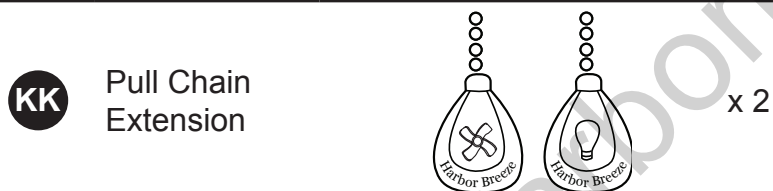
5. Install the glass shade (F) upward through the nipple portion of the switch housing (L) and secure with the flat washer (JJ), hex nut (FF), finial plate (J), and finial (K). Take care to align the holes on the glass shade (F) so that the pull chains can pass through and move freely.

Hardware Used



6. Attach the pull chain extensions (KK) or custom pull chains extensions (not included) to the fan and light pull chains. The pull chain threaded through the finial (K) is for the light. The other pull chain is for the fan.

Hardware Used

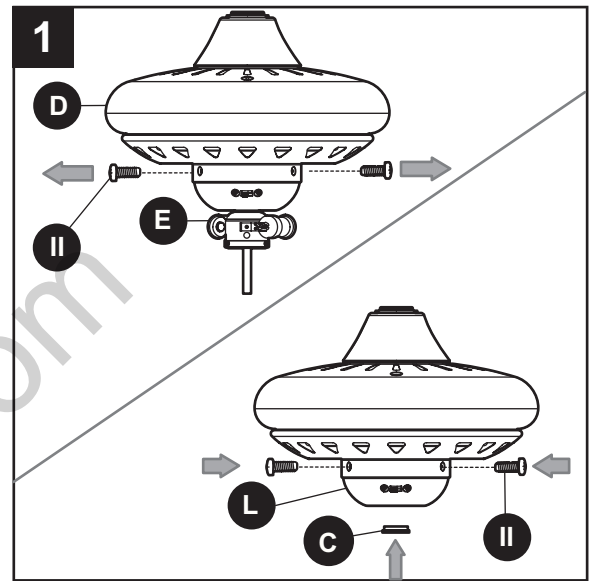


INSTALL THE FAN WITHOUT THE LIGHT KIT

1. To install the fan without the light kit, remove the three fitter plate screws (II) from the fitter plate portion of the motor (D) and remove the light kit (E). Carefully place unused wires back into the switch housing (L) and use the plastic plug button (C) to plug the hole. Then re-install the plate screws (II) and secure with a Phillips screwdriver.

Hardware Used

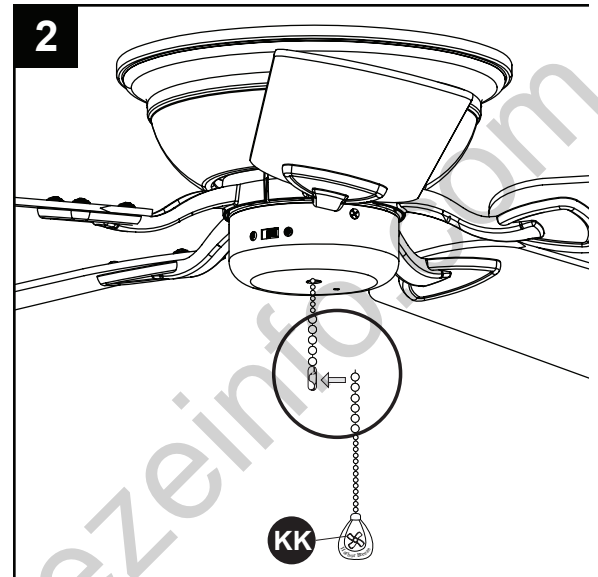
- II** Fitter Plate Screw  x 3



2. Attach the pull chain extension (KK) or custom pull chain extension (not included) to the fan pull chain.

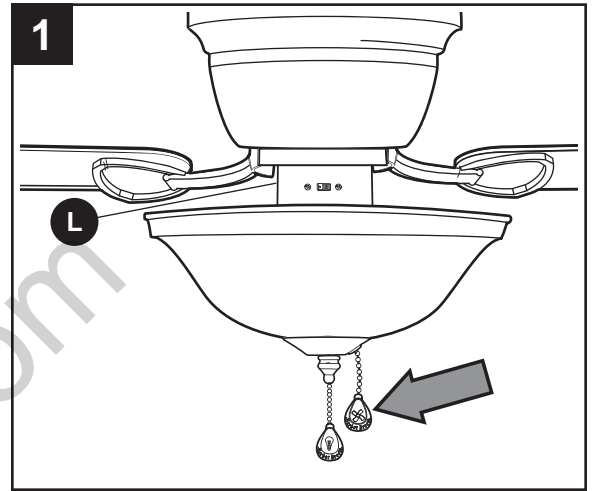
Hardware Used

- KK** Pull Chain Extension  x 1

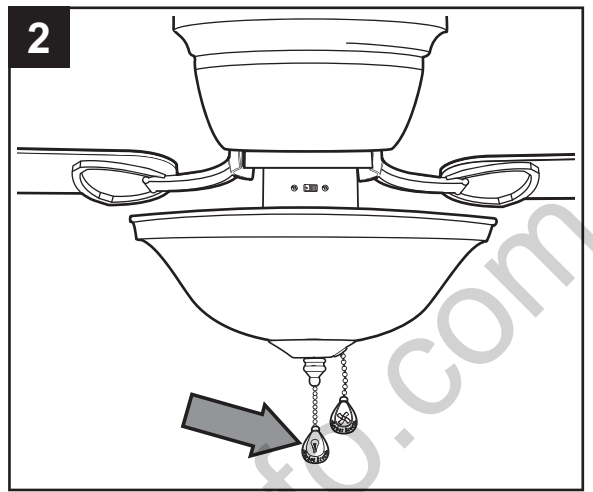


FAN OPERATION

1. The pull chain located on the switch housing (L) has four positions to control fan speed. One pull is HIGH, two is MEDIUM, three is LOW and four turns the fan OFF.



2. The pull chain located in the center is used to turn the light ON or OFF.



FAN OPERATION

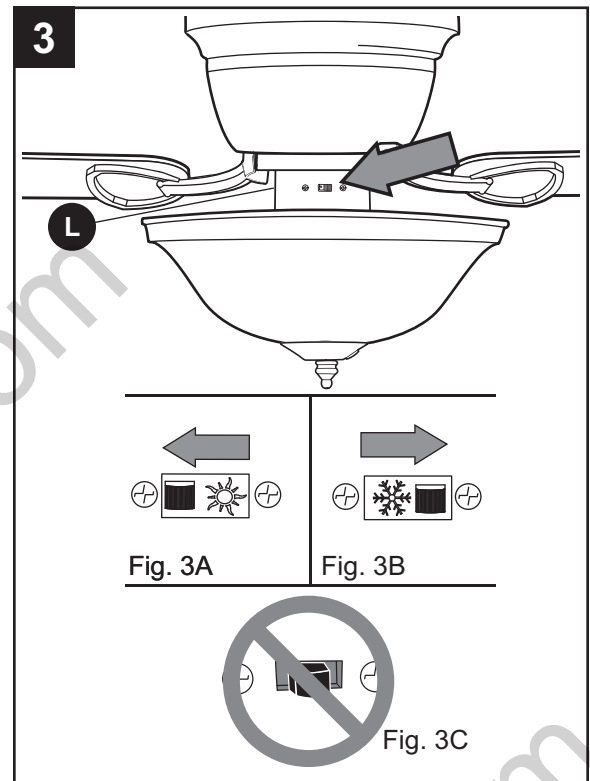
- Use the fan reverse switch, located on the switch housing (L), to optimize your fan for seasonal performance. A ceiling fan will allow you to raise your thermostat setting in the summer and lower your thermostat setting in the winter without feeling a difference in your comfort.

Note: Wait for the fan to stop before moving the reverse switch.

3A. In warmer weather, push the reverse switch to the left to display a Sun icon, which will result in downward airflow creating a wind chill effect.

3B. In cooler weather, push the reverse switch to the right to display a Snowflake, which will result in upward airflow that can help move stagnant, hot air off the ceiling area.

The reverse switch must be set either completely left or completely right in order for the fan to function correctly. If the reverse switch is set in the middle position, the fan will not operate. See Fig 3C.



CARE AND MAINTENANCE

At least twice each year, lower the canopy to check the downrod assembly, and then tighten all screws on the fan. Clean the motor housing with only a soft brush or lint-free cloth to avoid scratching the finish. Clean the blades with a lint-free cloth. You may occasionally apply a light coat of furniture polish to wood blades for added protection.

Bulb Replacement: Use 60-watt max. E12-base incandescent bulbs or CFL-equivalent.

Important: Shut off the main power supply before you begin any maintenance task. Do not use water or a damp cloth to clean the fan.

TROUBLESHOOTING

PROBLEM	POSSIBLE CAUSE	CORRECTIVE ACTION
The fan does not move.	<ol style="list-style-type: none"> 1. The reverse switch is not engaged. 2. The wall switch is turned off. 3. The power is off or the fuse (breaker) is blown. 4. There is a faulty wire connection. 	<ol style="list-style-type: none"> 1. Firmly push the reverse switch either up or down. 2. Make sure the wall switch is turned on. 3. Turn the power on or check the fuse (breaker). 4. Turn the power off and check all connections at the ceiling outlet box.
The fan is noisy.	<ol style="list-style-type: none"> 1. The blades are loose. 2. There is a cracked blade. 3. The wall control is not compatible with the fan. 4. The break-in period has not surpassed. 5. The outlet box is not secure. 6. The mounting bracket is not secure. 	<ol style="list-style-type: none"> 1. Check and tighten all screws that hold the fan blades to the blade arms and the motor. 2. Replace the cracked blade. 3. Do not use a full range dimmer switch to control the fan speed. 4. Run the fan continuously for 24 - 48 hours on medium or high speed for a "break in" period. 5. Ensure the outlet box is secured to the building structure. 6. Ensure the mounting bracket is secured to the outlet box and that the screws are tight.
There is excessive wobbling.	<ol style="list-style-type: none"> 1. The blades are loose. 2. The blade arms are incorrectly attached. 3. The blades are unbalanced. 4. The fan is not securely mounted. 	<ol style="list-style-type: none"> 1. Tighten all blade screws. 2. Re-install the blade arms. 3. Switch one blade with a blade from the opposite side. 4. Turn the power off. Carefully loosen the motor housing and verify that the mounting plate is secure.
The fan operates correctly, but the lights are not working (if applicable).	<ol style="list-style-type: none"> 1. The bulb(s) are not installed correctly. 2. The light kit wire plugs are not connected properly. 3. There is a faulty wire connection. 	<ol style="list-style-type: none"> 1. Re-install the bulb(s). 2. Ensure the male and female plugs in the light kit fitter are connected properly. 3. Turn the power off and check all connections at the ceiling outlet box.

LIFETIME LIMITED WARRANTY

The manufacturer warrants this fan to be free from defects in workmanship and materials present at time of shipment from the factory for a lifetime from the date of purchase by the original purchaser. The retailer also warrants that all other fan parts, excluding any glass or plexiglas blades, to be free from defects in workmanship and material at the time of shipment from the factory for a period of one year after the date of purchase by the original purchaser. The manufacturer agrees to correct such defects without charge or at its option replace the ceiling fan with a comparable or superior model.

To obtain warranty service, present a copy of the receipt as proof of purchase. All costs of removing and reinstalling the product are your responsibility. Any damage to any part such as by accident or misuse or improper installation or by affixing any accessories, is not covered by this warranty. The manufacturer assumes no responsibility whatsoever for fan installation during the limited lifetime warranty. Any service performed by an unauthorized person will render the warranty invalid.

Due to varying climate conditions, this warranty does not cover any changes in brass finish, including rusting, pitting, corroding, tarnishing or peeling. Brass finishes of this type give their longest useful life when protected from varying weather conditions. Any glass provided with this fan is not covered by the warranty.

Any replacement of defective parts from the ceiling fan must be reported within the first year from the date of purchase. For the balance of the warranty, call our customer service department for return authorization and shipping instructions so that we may repair or replace the ceiling fan. Any fan or parts returned improperly is the sole responsibility of the purchaser. There is no other expressed warranty. The manufacturer disclaims any and all warranties. The duration of any implied warranty which cannot be disclaimed is limited to the time period as specified in the expressed warranty. The manufacturer shall not be liable for incidental, consequential, or special damages arising out of or in connection with product use or performance except as may otherwise be accorded by law. This warranty gives specific legal rights, and you may also have other rights which vary from state to state.

This warranty supersedes all prior warranties.

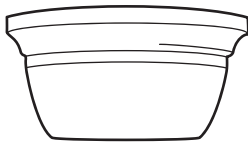
Note: A small amount of “wobble” is normal and should not be considered a defect.



REPLACEMENT PARTS LIST

For replacement parts, call our customer service department at 1-800-643-0067, 8 a.m. - 6 p.m., EST, Monday - Thursday, 8 a.m. - 5 p.m., EST, Friday.

PART	DESCRIPTION	PART #
A	Motor Housing	403520-A
B	Mounting Bracket	403520-B
C	Plastic Plug Button	403520-C
F	Glass Shade	403520-F
G	Blade Arm	403520-G
H	Blade	403520-H </td
J	Finial Plate	403520-J
K	Finial	403520-K
HW	Hardware Kit	403520-HW



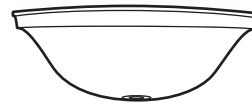
A



B



C



F



G



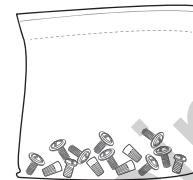
H



J



K



HW

Printed in China

Harbor Breeze® is a registered trademark of LF, LLC.
All Rights Reserved.

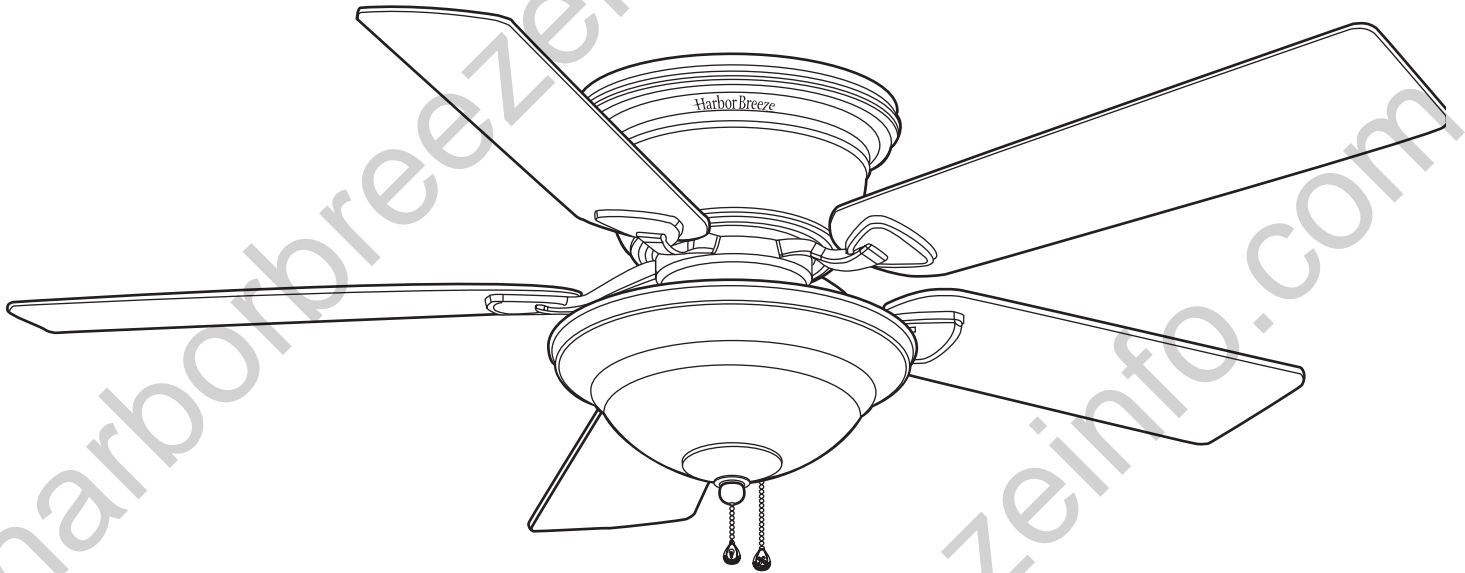


ARTÍCULO # 0403520

VENTILADOR DE TECHO KEYPORT HUGGER

MODELO # 40141

Harbor Breeze® es una marca registrada de LF, LLC.
Todos los derechos reservados.



ADJUNTE SU RECIBO AQUÍ

Número de serie _____ Fecha de compra _____



¿Preguntas, problemas, piezas faltantes? Antes de volver a la tienda, llame a nuestro Departamento de Servicio al Cliente al 1-800-643-0067, de lunes a jueves de 8 a.m. a 6 p.m., y los viernes de 8 a.m. a 5 p.m., hora estándar del Este.



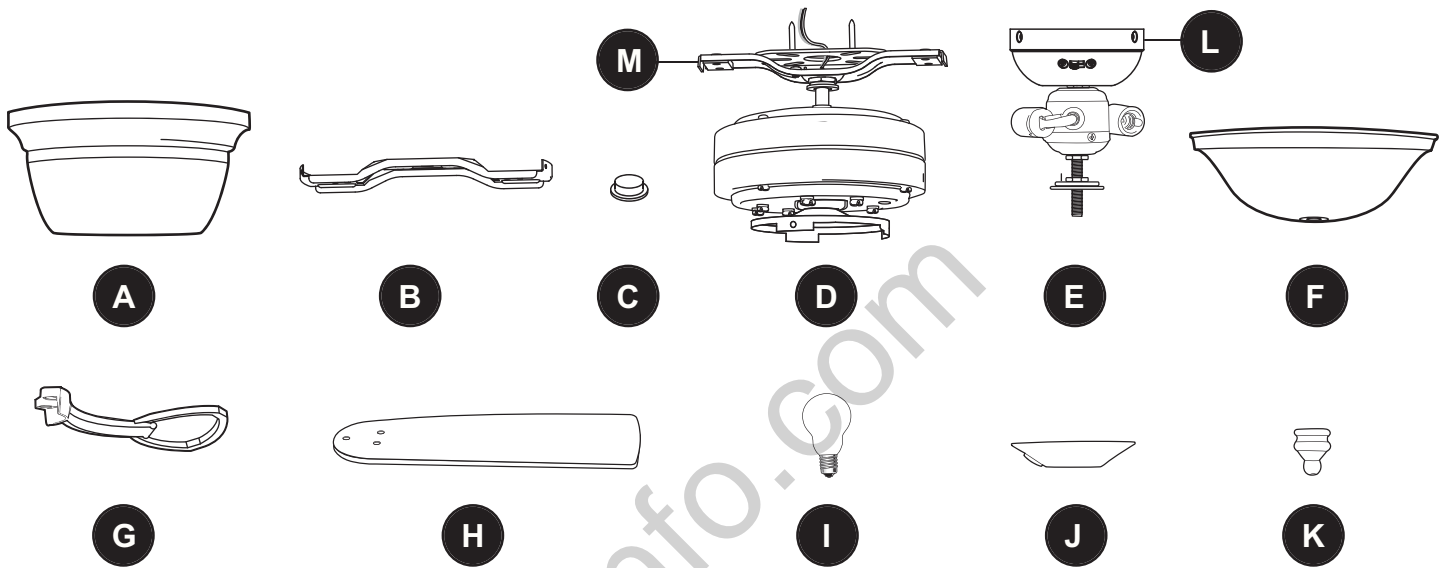
Lowes.com/harborbreeze

ÍNDICE

Contenido del paquete23
Aditamentos24
Información de seguridad25
Preparación26
Instalación inicial27
Cableado29
Instalación final31
Instalación del kit de iluminación32
Instrucciones de funcionamiento36
Cuidado y mantenimiento37
Solución de problemas38
Garantía limitada de por vida39
Lista de piezas de repuesto40



CONTENIDO DEL PAQUETE



PIEZA	DESCRIPCIÓN	CANTIDAD
A	Carcasa del motor	1
B	Soporte de montaje superior	1
C	Botón de tapón plástico	1
D	Ensamblaje del motor	1
E	Ensamble del kit de iluminación (preensamblado en la carcasa del interruptor [L])	1
F	Pantalla de vidrio	1
G	Brazo del aspa	5
H	Aspa	5
I	Bombilla	3
J	Placa del remate (preensamblada en el soporte del kit de iluminación [E])	1
K	Remate (preensamblado en el soporte del kit de iluminación [E])	1
L	Carcasa del interruptor	1
M	Abrazadera inferior de montaje ((preensamblado en el ensamblaje del motor [D])	1

ADITAMENTOS

AA



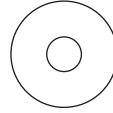
Tornillo del motor
Cant. 10 y 1 adicional

BB



Tornillo para aspa
Cant. 15 y 1 adicional

CC



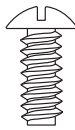
Arandela de aspa
Cant. 15 y 1 adicional

DD



Conector de cables
Cant. 4

EE



Tornillo de la
abrazadera
Cant. 4
(preensamblado en
la abrazadera de
montaje inferior [M])

FF



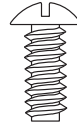
Tuerca hexagonal
Cant. 1
(preensamblada en
el ensamble del kit
de iluminación [E])

GG



Aislador de aspa
Cant. 5

HH



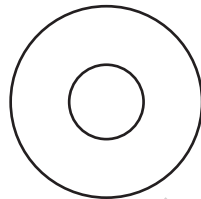
Tornillo de montaje de
la carcasa del motor
Cant. 4
(preensamblado en
la abrazadera de
montaje superior [B])

II



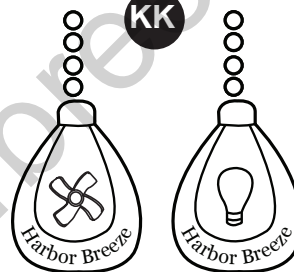
Tornillo de la
placa de soporte
Cant. 3
(preensamblado en el
ensamblaje del motor
[D])

JJ



Arandela
Cant. 1
(preensamblada en
el ensamble del kit
de iluminación [E])

KK





Extensiones para
la cadena de tiro
Cant. 2


INFORMACIÓN DE SEGURIDAD


Lea y comprenda completamente este manual antes de intentar ensamblar, usar o instalar el producto.


- Antes de comenzar a instalar el ventilador, desconecte la alimentación eléctrica; para esto retire los fusibles o coloque el interruptor de circuito en la posición de apagado.
- Asegúrese de que todas las conexiones eléctricas cumplan con los códigos y ordenanzas locales, el National Electrical Code (Código Nacional de Electricidad) y la norma ANSI/NFPA 70-199. Si no está familiarizado con la instalación del cableado eléctrico, contrate a un electricista calificado o consulte un manual de cableado para hacerlo usted mismo.
- Asegúrese de que en el lugar de instalación que elija se pueda establecer una distancia mínima de 2,13 m desde las aspas hasta el piso, y al menos 76,20 cm desde los extremos de las aspas hasta cualquier obstáculo.
- El peso neto de este ventilador es: 7,31 kg.


 **PELIGRO:** Si utiliza una caja de salida existente, asegúrese de que esté bien sujeta a la estructura del edificio y que pueda sostener el peso del ventilador. El incumplimiento de dicho paso podría provocar lesiones graves o la muerte. La estabilidad de la caja de salida es fundamental para minimizar el tambaleo y el ruido en el ventilador una vez que la instalación esté completa.


 **ADVERTENCIA:** Para evitar lesiones personales, puede ser necesario usar guantes al manipular las piezas del ventilador con bordes filosos.


 **ADVERTENCIA:** El uso de un regulador de intensidad de rango completo para controlar la velocidad del ventilador provocará un zumbido intenso del ventilador. Para reducir el riesgo de incendios o descargas eléctricas, NO use un regulador de intensidad de rango completo para controlar la velocidad del ventilador.

 **ADVERTENCIA:** Para reducir el riesgo de incendios, descargas eléctricas o lesiones personales, instale el ventilador en una caja de salida marcada como "APTA PARA SOSTENER UN VENTILADOR" y utilice los tornillos de montaje incluidos en la caja de salida. La mayoría de las cajas de salida que se usan comúnmente para sostener ensamblajes de iluminación no son aptas para sostener un ventilador y puede ser necesario reemplazarlas. Si tiene dudas, consulte a un electricista calificado. Asegure la caja de salida directamente a la estructura del edificio. La caja de salida y su soporte deben ser capaces de sostener el peso del ventilador en movimiento (al menos 15,88 kg). NO use una caja de salida de plástico.

 **ADVERTENCIA:** Para reducir el riesgo de incendios, descargas eléctricas o lesiones personales, los conectores de cables proporcionados con este ventilador están diseñados para soportar solo un cable de la casa de calibre 12 y dos cables conductores del ventilador. Si el cable de su casa es de un calibre superior a 12 o hay más de un cable para conectar los dos cables conductores del ventilador, pregúntele a un electricista cuál es el tamaño adecuado de los conectores de cables que debe utilizar.

 **ADVERTENCIA:** Para reducir el riesgo de incendios o descargas eléctricas, no use el ventilador con dispositivos de control de velocidad para estado sólido ni controle la velocidad del ventilador con un regulador de intensidad de rango completo.

 **ADVERTENCIA:** Para reducir el riesgo de incendios, descargas eléctricas o lesiones personales, no doble los brazos de las aspas al instalarlas, al equilibrarlas o al limpiar el ventilador. No introduzca objetos entre las aspas en movimiento.

 **ADVERTENCIA:** Para reducir el riesgo de lesiones personales, use sólo las piezas que se incluyen con este ventilador. El uso de piezas DISTINTAS a aquellas que se incluyen con este ventilador anulará la garantía.



INFORMACIÓN DE SEGURIDAD

PRECAUCIÓN: Lea todas las instrucciones y la información de seguridad antes de instalar el nuevo ventilador. Revise los diagramas de ensamblaje adjuntos.

PRECAUCIÓN: Asegúrese de que la caja de salida cuente con la puesta a tierra adecuada o de que haya un conductor (verde o desnudo) de tierra.

PRECAUCIÓN: Revise cuidadosamente todos los tornillos, pernos y tuercas del ensamble del motor del ventilador para comprobar que estén seguros.

PREPARACIÓN

Antes de comenzar a ensamblar este producto, asegúrese de tener todas las piezas. Compare todas las piezas con la lista del contenido del paquete y con la lista de aditamentos. No intente ensamblar el producto si falta alguna pieza o si estas están dañadas.

Después de abrir la parte superior de la caja, retire el paquete de aditamentos para montaje de los accesorios de espuma. Luego, quite el motor del ensamble y colóquelo en una superficie suave, como una alfombra, para evitar dañar el acabado.

Tiempo estimado de ensamblaje: 90 minutos.

Herramientas necesarias para el ensamblaje (no se incluyen): cinta aislante, destornillador Phillips, pinzas, gafas de seguridad, escalera de tijera y pinzas pelacables.

Herramientas útiles (no se incluyen): luz de prueba de CA, cinta métrica, manual de cableado y pinzas cortacables.



INSTALACIÓN INICIAL

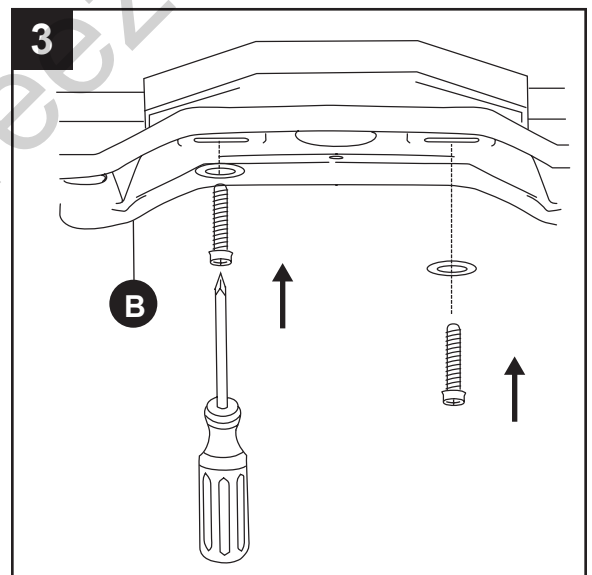
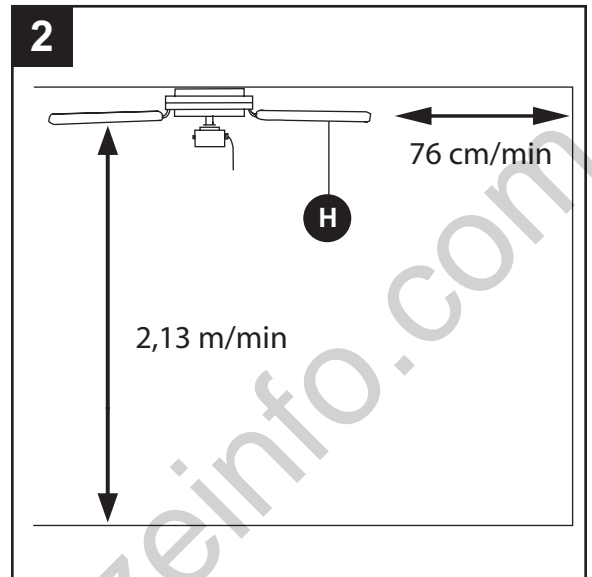
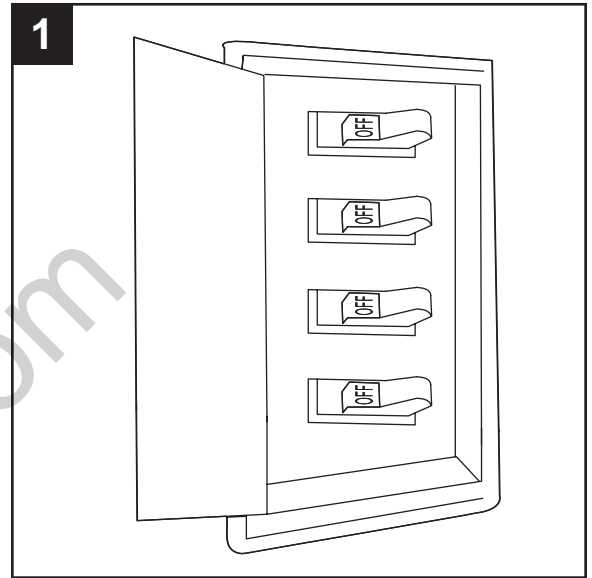
1. Gire las abrazaderas de circuito y el interruptor de pared hacia los conductores de la línea de suministro del ventilador.

! **PELIGRO:** Si no interrumpe el suministro de electricidad antes de la instalación, pueden producirse lesiones graves o la muerte.

2. Asegúrese de que las aspas (H) estén al menos a 76,20 cm de cualquier obstrucción y al menos a 2,13 m del piso.

3. Asegure la abrazadera superior de montaje (B) a la caja de salida con los tornillos, las arandelas de resorte y las arandelas planas que se proporcionan con la caja de salida (no se incluye).

Nota: Es muy importante que use los aditamentos adecuados para instalar la abrazadera de montaje (B), ya que esta soportará el ventilador.

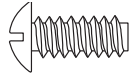


INSTALACIÓN INICIAL

4. Retire los tornillos de la abrazadera (EE) debajo de la abrazadera inferior de montaje (M).

Aditamentos utilizados

EE Tornillo de abrazadera x 4

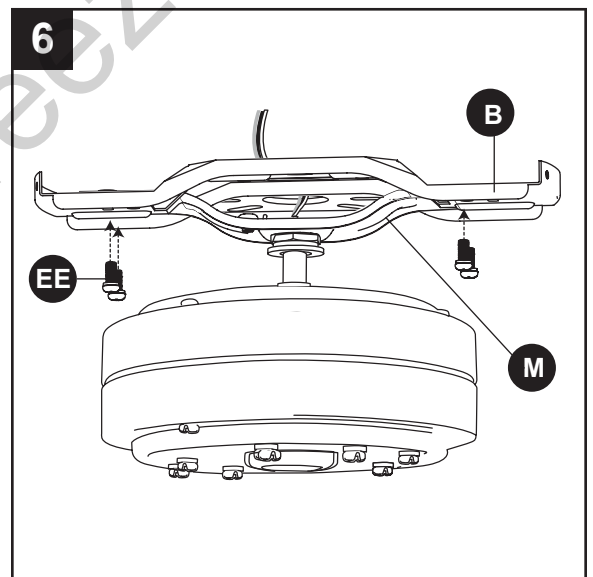
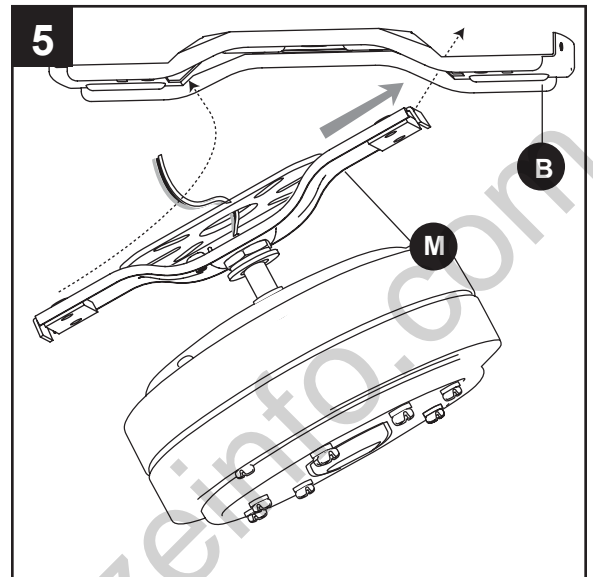
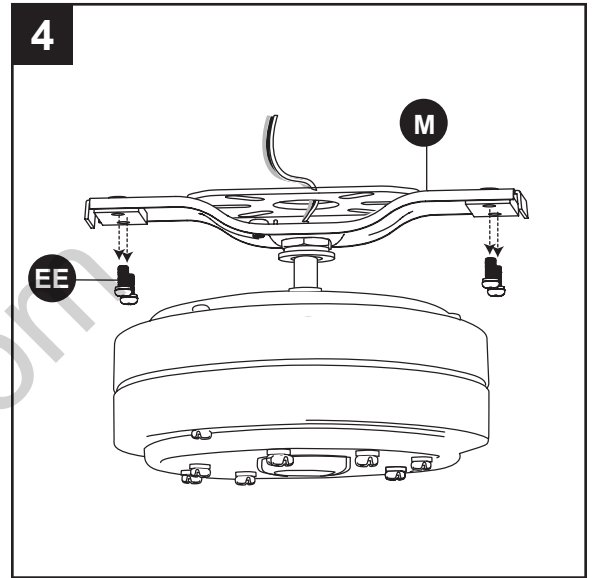
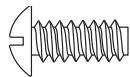


5. Coloque una lengüeta de la abrazadera inferior de montaje (M) en la ranura de la abrazadera superior de montaje (B). Luego desplace la segunda lengüeta de la abrazadera inferior de montaje (M) en la segunda ranura de la abrazadera superior de montaje (B) hasta que los cuatro orificios estén alineados.

6. Vuelva a instalar los tornillos de la abrazadera previamente retirados (EE) debajo de la abrazadera inferior de montaje (M) y en la abrazadera superior de montaje (B). Apriete firmemente los tornillos.

Aditamentos utilizados

EE Tornillo de abrazadera x 4



CABLEADO

⚠️ ADVERTENCIA: Para reducir el riesgo de incendios, descargas eléctricas o lesiones personales, los conectores de cables proporcionados con este ventilador están diseñados para soportar solo un cable de la casa de calibre 12 y dos cables conductores del ventilador. Si el cable interior es de un calibre superior a 12 o hay más de un cable interior para conectar los dos cables conductores del ventilador, pregúntele a un electricista cuál es el tamaño adecuado de los conectores de cables que debe utilizar.

⚠️ ADVERTENCIA: Si los colores de los cables interiores no coinciden con los colores que se mencionan en el siguiente paso, deténgase de inmediato. Se recomienda que un electricista profesional determine el esquema de cableado adecuado.

PRECAUCIÓN: Asegúrese de que la caja de salida cuente con la puesta a tierra adecuada o de que haya un conductor (verde o desnudo) de tierra.

De las tres opciones que se mencionan más abajo, escoja el diagrama de cableado que se ajuste a su situación y realice las conexiones del cableado adecuadas como se indica a continuación:

1A. VENTILADOR Y LUZ CONTROLADOS POR CADENAS DE TIRO: Conecte los conductores negro y azul del ventilador al conductor negro del techo. Conecte el cable blanco del ventilador al cable blanco del techo. Conecte todos los cables de tierra (verdes) juntos desde el ventilador al cable desnudo o verde del techo. Asegure todas las conexiones del cableado junto con los conectores de cables (DD).

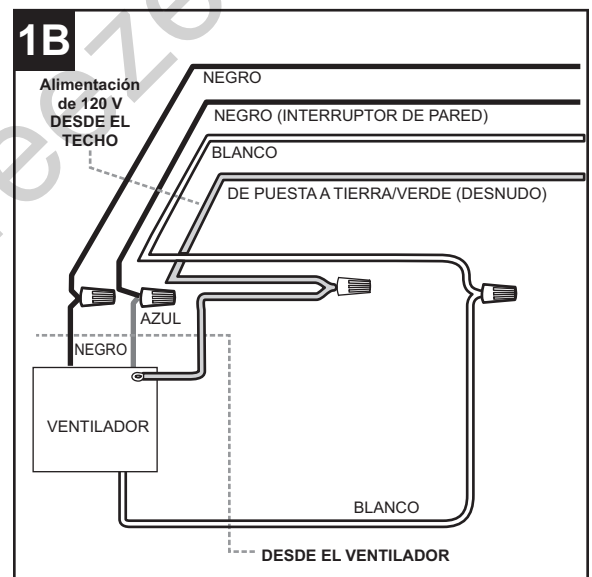
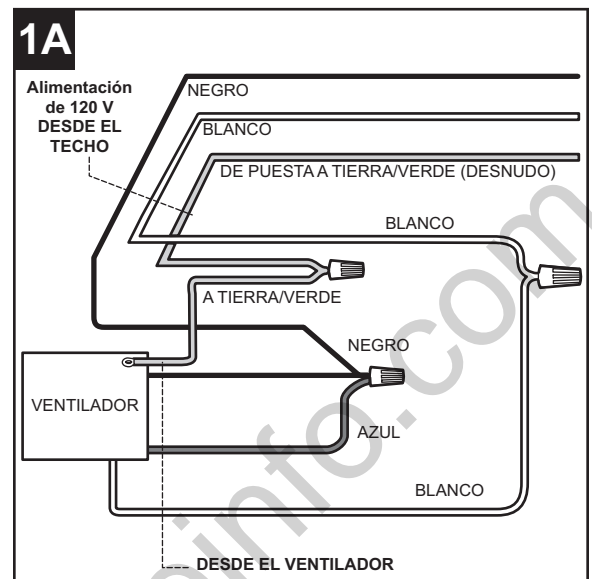
Aditamentos utilizados

DD Conector de cables  x 3

1B. VENTILADOR CONTROLADO POR CADENA DE TIRO Y LUZ CONTROLADA POR INTERRUPTOR DE PARED: Para controlar el ventilador mediante cadenas de tiro y la luz con un interruptor de pared separado, conecte el cable negro del ventilador con el cable negro del techo. Conecte el cable azul del ventilador al cable negro del interruptor de pared para la luz. Conecte el cable blanco del ventilador al cable blanco del techo. Conecte todos los cables de tierra (verdes) juntos desde el ventilador al cable desnudo o verde del techo. Asegure todas las conexiones del cableado junto con los conectores de cables (DD).

Aditamentos utilizados

DD Conector de cables  x 4



CABLEADO

1C. VENTILADOR Y LUZ CONTROLADOS POR DOS

INTERRUPTORES DE PARED: Para controlar el ventilador y la luz con interruptores de pared separados, conecte el cable negro del ventilador al cable negro del interruptor de pared para el ventilador. Conecte el cable azul del ventilador al cable negro del interruptor de pared para la luz. Conecte el cable blanco del ventilador al cable blanco del techo. Conecte todos los cables de tierra (verdes) juntos desde el ventilador al cable desnudo o verde del techo. Asegure todas las conexiones del cableado junto con los conectores de cables (DD).

Nota: El cable negro le proporciona energía al ventilador. El cable azul le proporciona energía al kit de iluminación. El cable blanco es el cable común para el ventilador y el kit de iluminación. El cable verde (desnudo) es de tierra.

Aditamentos utilizados

DD Conector de cables  x 4

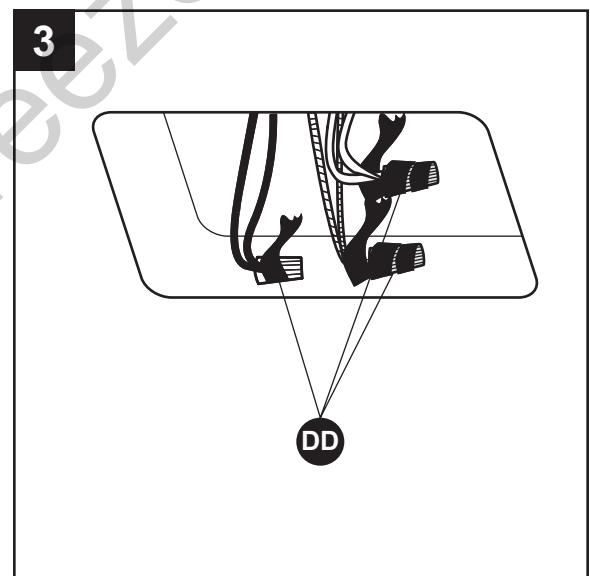
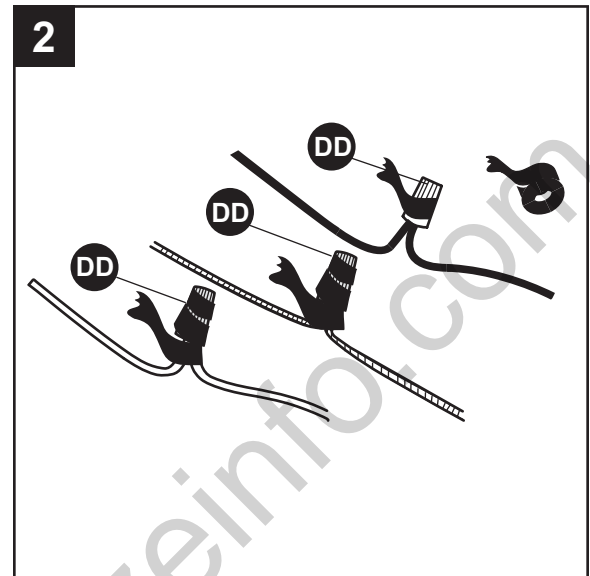
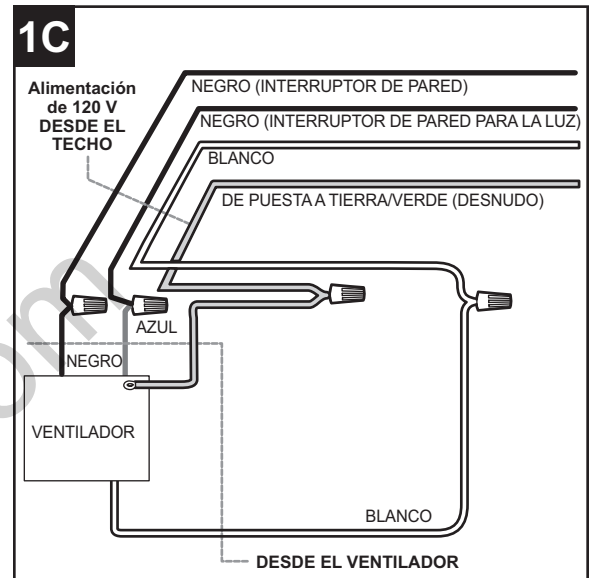
2. Cubra con cinta aislante (no se incluye) cada conector de cables individual (DD) hacia abajo del cable.

Aditamentos utilizados

DD Conector de cables  x 3

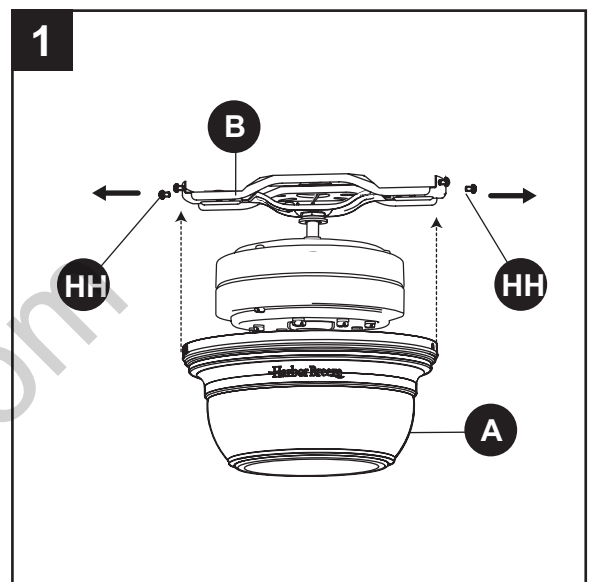
3. Gire los cables empalmados o cubiertos con cinta hacia arriba y empuje suavemente los cables y los conectores de cables (DD) hacia dentro de la caja de salida.

⚠️ ADVERTENCIA: Asegúrese de que no haya conductores desnudos ni filamentos de cables visibles después de realizar las conexiones. Coloque las conexiones de cables verde y blanco en el lado opuesto de la caja de salida con respecto a las conexiones de cables negro y azul (si corresponde).



INSTALACIÓN FINAL

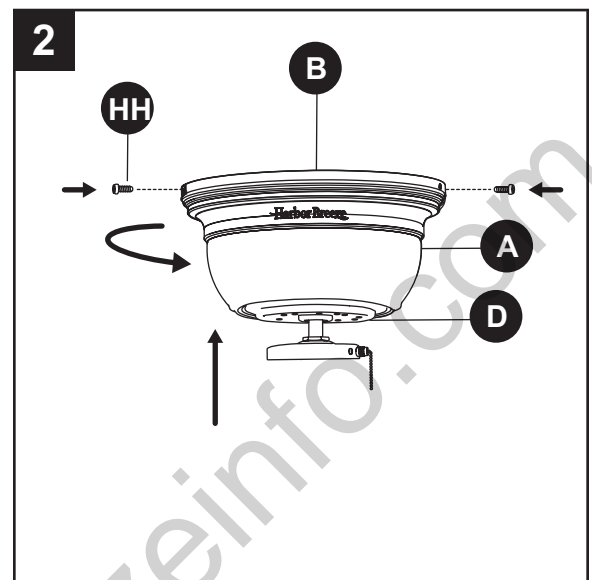
1. Levante temporalmente la carcasa del motor (A) hacia la abrazadera de montaje (B) para determinar cuáles son los dos tornillos de montaje de la carcasa del motor (HH) en los costados de la abrazadera de montaje (B) que se alinean con los orificios ranurados en el borde superior de la carcasa del motor (A). Afloje parcialmente los dos tornillos de montaje de la carcasa del motor (HH) que se alinean con los orificios ranurados. Retire los otros dos tornillos de montaje de la carcasa del motor (HH) de los costados opuestos de la abrazadera de montaje (B).



Aditamentos utilizados

- HH** Tornillo de montaje de la carcasa del motor  x 2

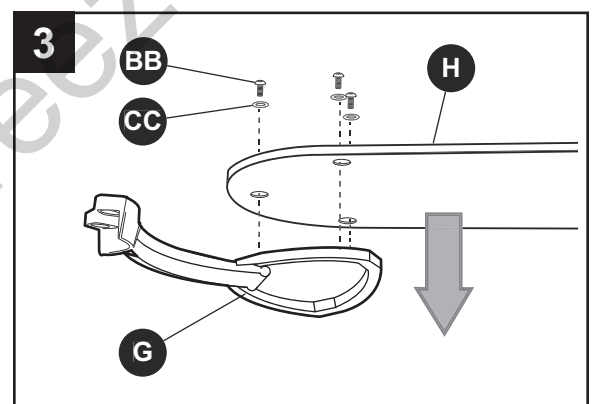
2. Desplace la carcasa del motor (A) sobre el ensamblaje del motor (D), alineando los orificios ranurados de la carcasa del motor (A) con los tornillos de montaje de la carcasa del motor aflojados (HH) en la abrazadera de montaje (B). Gire la carcasa del motor (A) para asegurarla. Luego vuelva a colocar los dos tornillos de montaje de la carcasa del motor previamente retirados (HH) y apriete bien todos los tornillos.



Aditamentos utilizados

- HH** Tornillo de montaje de la carcasa del motor  x 4

3. Inserte parcialmente los tres tornillos para aspas (BB) y las arandelas para aspas (CC) a través de la aspa (H) y dentro del brazo de las aspas (G). Apriete cada uno de los tornillos para las aspas (BB), comenzando por el que está en el centro. Repita este paso para las aspas (H) y los brazos del aspa (G) restantes.



Aditamentos utilizados

- BB** Tornillo para aspa  x 15

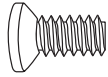
- CC** Arandela de aspa  x 15

INSTALACIÓN FINAL

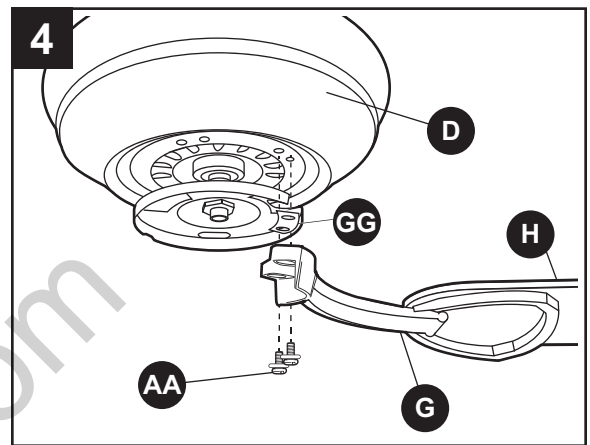
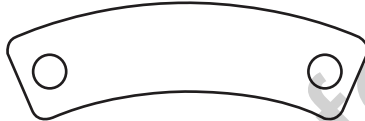
4. Inserte dos tornillos para motor (AA), junto con aislador de aspa (GG) a través de un soporte de aspa (G) para fijar el soporte de aspa (D) al motor. Apriete firmemente los tornillos del motor (AA). Repita este procedimiento con los brazos de aspa restantes (G), procurando asegurar completamente cada brazo de aspa (G) antes de proceder con el siguiente paso.

Aditamentos utilizados

AA Tornillo del motor x 10



GG Aislador de aspa x 5



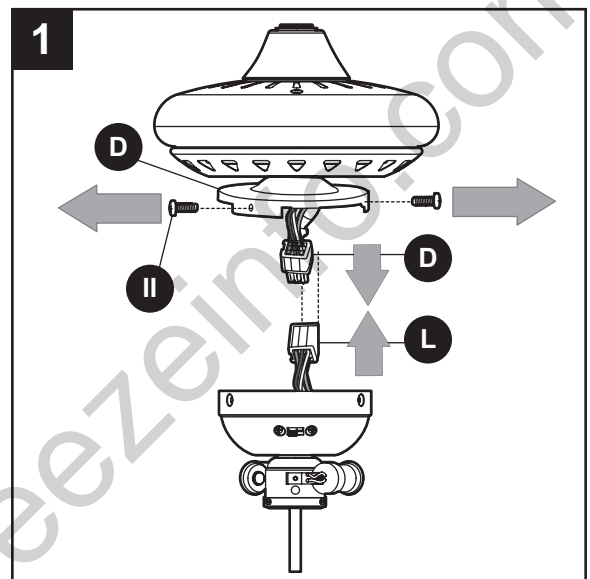
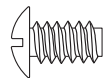
INSTALACIÓN DEL KIT DE ILUMINACIÓN

Nota: Si desea instalar el ventilador sin el kit de iluminación, consulte la sección “Cómo instalar el ventilador sin el kit de iluminación” en la página 35.

1. Quite los tres tornillos de la placa de soporte (II) ubicada en la porción de la placa de soporte del ensamblaje del motor (D). Luego, conecte el enchufe del ensamblaje del motor (D) al enchufe de la carcasa del interruptor (L), haciendo coincidir los colores de ambos enchufes. Asegúrese de que los enchufes estén firmemente conectados.

Aditamentos utilizados

II Tornillo de la placa de soporte x 3

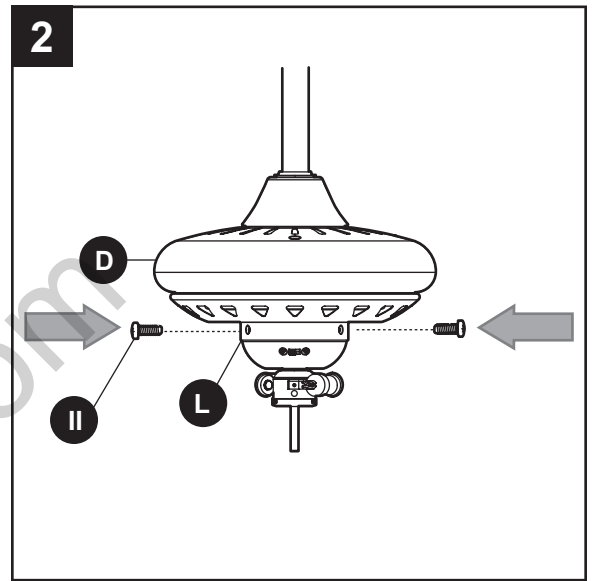


INSTALACIÓN DEL KIT DE ILUMINACIÓN

- Alinee los orificios de la carcasa del interruptor (L) con los orificios en la parte de la placa de soporte del motor (D). Vuelva a colocar los tornillos de la placa de soporte (II) y asegúrelos con un destornillador Phillips.

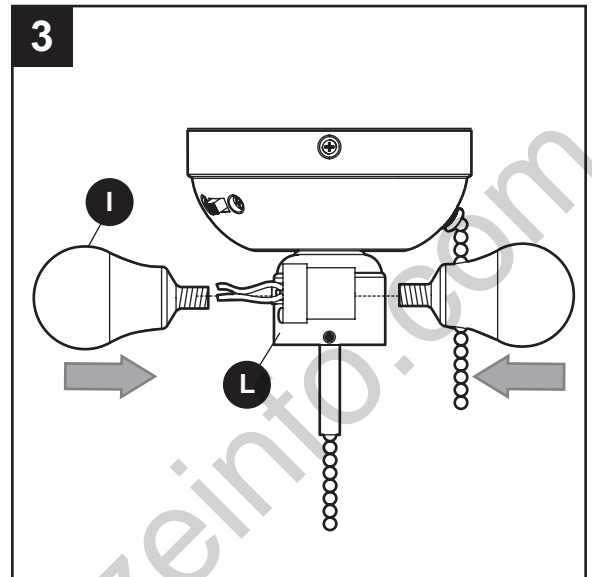
Aditamentos utilizados

- | | | | |
|-----------|---------------------------------|---|-----|
| II | Tornillo de la placa de soporte |  | x 3 |
|-----------|---------------------------------|---|-----|





- Instale las bombillas (I) en los portalámparas de la carcasa del interruptor (L).

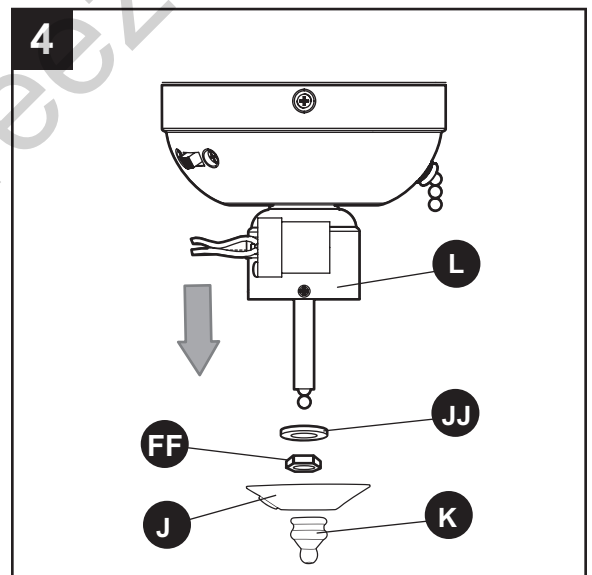
Importante: Asegúrese de que las bombillas (I) y el kit de iluminación se enfríen antes de reemplazar las bombillas.



- Retire la arandela plana preinstalada (JJ), la tuerca hexagonal (FF), la placa del remate (J) y el remate (K) de la carcasa del interruptor (L).

Aditamentos utilizados

- | | | | |
|-----------|------------------|---|-----|
| FF | Tuerca hexagonal |  | x 1 |
| JJ | Arandela plana |  | x 1 |



INSTALACIÓN DEL KIT DE ILUMINACIÓN

5. Instale la pantalla de vidrio (F) hacia arriba a través de la porción del manguito de la carcasa del interruptor (L) y asegúrela con la arandela plana (JJ), la tuerca hexagonal (FF), la placa del remate (J) y el remate (K). Tenga cuidado con la alineación de los orificios de la pantalla de vidrio (F) para que las cadenas de tiro puedan pasar por los orificios y moverse libremente..

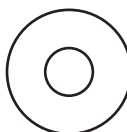
Aditamentos utilizados

FF Tuerca hexagonal



x 1

JJ Arandela plana

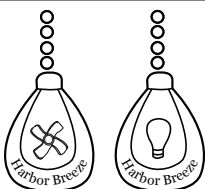


x 1

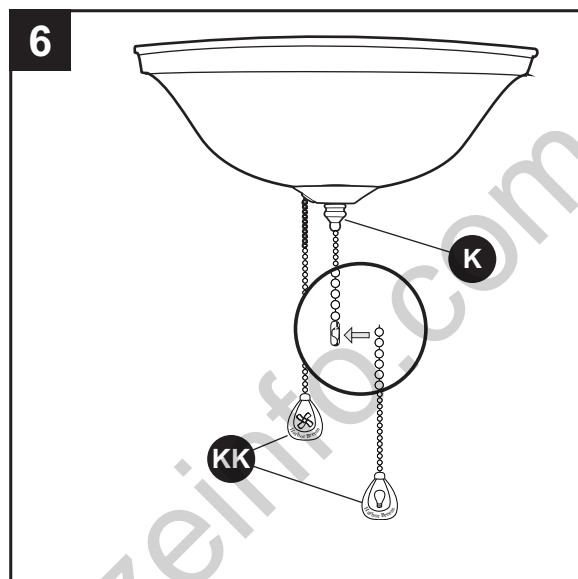
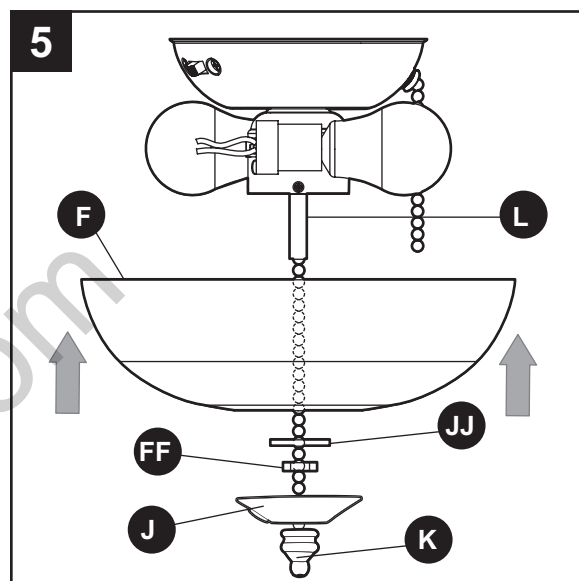
6. Conecte las extensiones para la cadena de tiro (KK) o las extensiones para las cadenas de tiro personalizadas (no incluidas) con las cadenas de tiro del ventilador y la luz. La cadena de tiro enroscada a través del remate (K) es para la luz. La otra cadena de tiro es para el ventilador.

Aditamentos utilizados

KK Extensión para la cadena de tiro



x 2

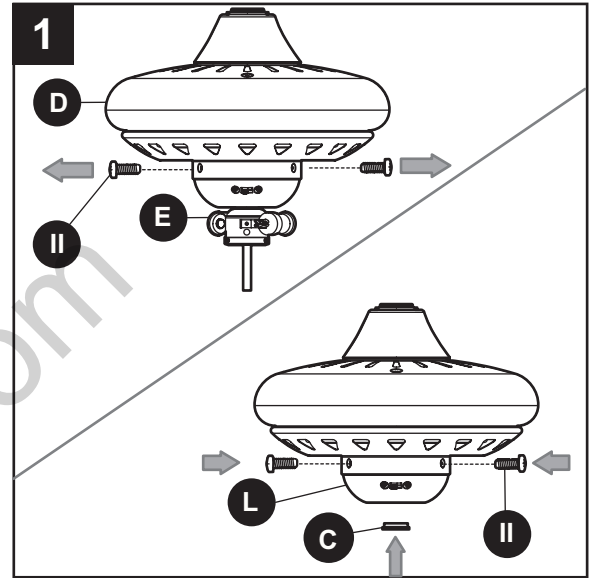


CÓMO INSTALAR EL VENTILADOR SIN EL KIT DE ILUMINACIÓN

1. Para instalar el ventilador sin el kit de iluminación, quite los tres tornillos de la placa de soporte (II) de la parte de la placa de soporte de la carcasa del motor (D) y quite el kit de iluminación (E). Cuidadosamente, coloque los cables que no se utilizaron nuevamente en la carcasa del interruptor (L) y utilice el botón de tapón plástico (C) para tapar el orificio. Luego, vuelva a instalar los tornillos de la placa (II) y asegúrelos con un destornillador Phillips.

Aditamentos utilizados

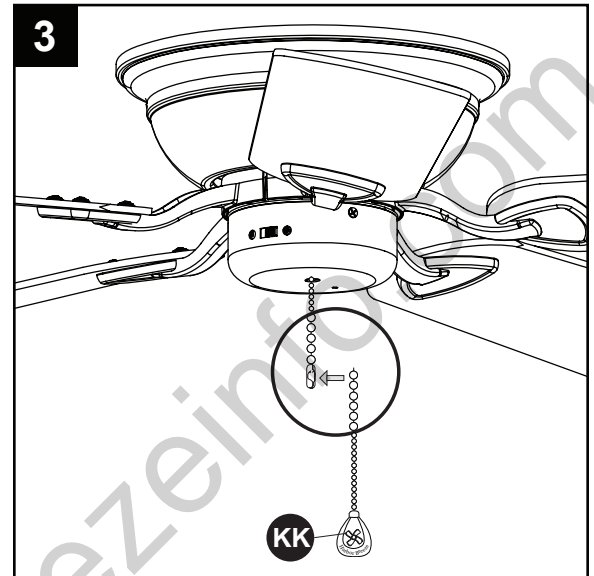
- II** Tornillo de la placa de soporte  x 3



2. Conecte la extensión para la cadena de tiro (KK) o la extensión para las cadena de tiro personalizada (no incluidas) con las cadena de tiro del ventilador.

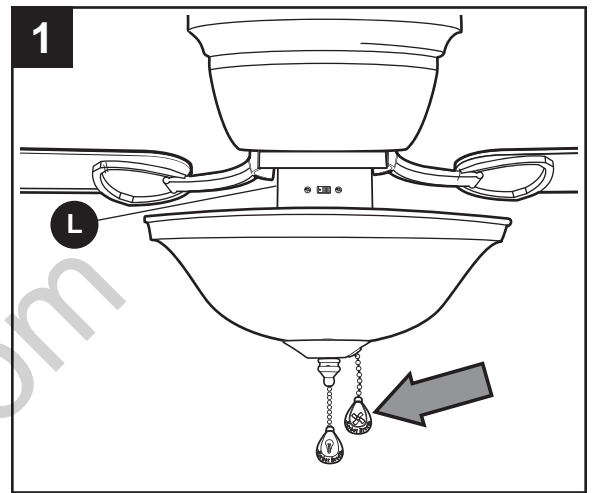
Aditamentos utilizados

- KK** Extensión para la cadena de tiro  x 1

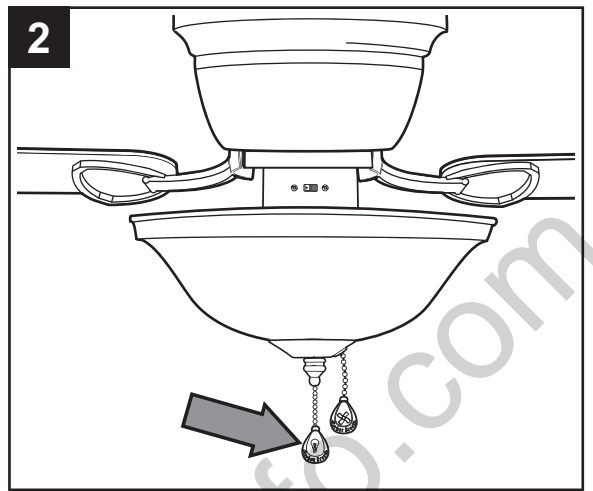


INSTRUCCIONES DE FUNCIONAMIENTO

1. La cadena de tiro ubicada en la carcasa del interruptor (L) tiene cuatro posiciones para controlar la velocidad del ventilador. Jale una vez para la posición ALTA; dos para la posición MEDIA; tres para la posición BAJA; y cuatro para la posición APAGADO, la que apaga el ventilador.



2. La cadena de tiro ubicada en el centro se utiliza para ENCENDER o APAGAR las luces.



INSTRUCCIONES DE FUNCIONAMIENTO

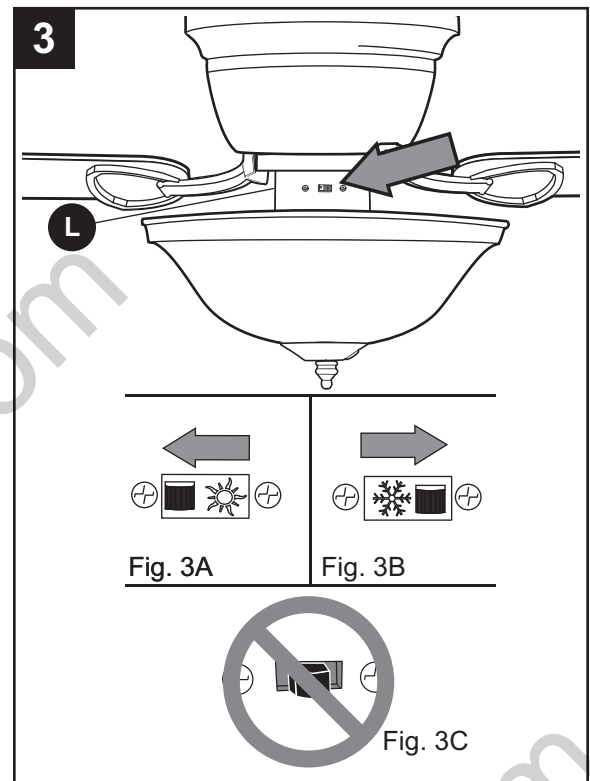
3. Use el interruptor de reversa del ventilador, que está ubicado en la parte de la carcasa del interruptor (L) para optimizar el rendimiento del ventilador de acuerdo con las estaciones del año. Un ventilador de techo le permitirá elevar la configuración de su termostato en verano y disminuirla en invierno, sin sentir una diferencia en su comodidad.

Nota: Espere a que el ventilador se detenga antes de mover el interruptor de reversa.

3A. En climas más cálidos, presione el interruptor de reversa hacia la izquierda y verá un icono de un sol, lo que creará un flujo de aire descendente que generará un efecto de viento refrescante.

3B. En climas más fríos, deslice el interruptor de reversa hacia la derecha y verá un icono de copo de nieve, lo que creará un flujo de aire ascendente que puede ayudar a mover el aire caliente estancado fuera del área del techo.

El interruptor de reversa se debe deslizar completamente hacia la izquierda o completamente hacia la derecha para que el ventilador funcione correctamente. Si el interruptor de reversa se configura en la posición del medio, el ventilador no funcionará. Consulte la Fig. 3C.



CUIDADO Y MANTENIMIENTO

Al menos dos veces al año, baje la base para revisar en ensamble de la varilla, y luego apriete todos los tornillos en el ventilador. Limpie la carcasa del motor solo con un cepillo suave o un paño sin pelusas para evitar rayar el acabado. Limpie las aspas con un paño sin pelusas. De vez en cuando puede aplicar una fina capa de cera para muebles en las aspas de madera para darles más protección.

Reemplazo de las bombillas: Use bombillas de 60 vatios E-12 incandescente o CFL equivalentes.

Importante: Antes de realizar cualquier trabajo de mantenimiento, desconecte el suministro de electricidad principal. No utilice agua ni un paño húmedo para limpiar el ventilador.

SOLUCIÓN DE PROBLEMAS

PROBLEMA	CAUSA POSIBLE	ACCIÓN CORRECTIVA
El ventilador no se mueve.	<ol style="list-style-type: none"> 1. El interruptor de reversa no está activado. 2. El interruptor de pared se apagó. 3. No hay suministro de electricidad o hay un fusible (interruptor) quemado. 4. Una conexión de los cables no es la correcta. 	<ol style="list-style-type: none"> 1. Presione firmemente el interruptor de reversa hacia arriba o hacia abajo. 2. Asegúrese de que el interruptor de pared esté encendido. 3. Encienda el suministro eléctrico o verifique el fusible (interruptor). 4. Desactive la alimentación eléctrica y revise todas las conexiones de la caja de salida del techo.
El ventilador hace ruido.	<ol style="list-style-type: none"> 1. Las aspas están sueltas. 2. Hay una aspa partida. 3. El control de pared no es compatible con el ventilador. 4. No se supera el período de asentamiento. 5. La caja de salida no está asegurada. 6. La abrazadera de montaje no está asegurada. 	<ol style="list-style-type: none"> 1. Revise y apriete todos los tornillos que sostienen las aspas del ventilador en los brazos de las aspas y en el motor. 2. Reemplace la aspa partida. 3. No use un regulador de intensidad de rango completo para controlar la velocidad del ventilador. 4. Haga funcionar el ventilador de 24 a 48 horas continuamente a velocidad media o alta durante el período de "asentamiento". 5. Revise que la caja de salida esté asegurada a la estructura del edificio. 6. Asegúrese de que la abrazadera de montaje esté fija en la caja de salida y que los tornillos estén apretados.
Hay un tambaleo excesivo.	<ol style="list-style-type: none"> 1. Las aspas están sueltas. 2. Los brazos de las aspas no están fijados correctamente. 3. Las aspas no están equilibradas. 4. El ventilador no está bien instalado. 	<ol style="list-style-type: none"> 1. Apriete todos los tornillos de las aspas. 2. Vuelva a instalar los brazos de las aspas. 3. Intercambie un aspa con otra del lado opuesto. 4. Interrumpa el suministro eléctrico. Afloje cuidadosamente la carcasa del motor y verifique que la placa de montaje esté asegurada.
El ventilador funciona correctamente, pero las luces no funcionan (si corresponde).	<ol style="list-style-type: none"> 1. Las bombillas no se instalaron correctamente. 2. Los enchufes de cables del kit de iluminación no están conectados apropiadamente. 3. Una conexión de los cables no es la correcta. 	<ol style="list-style-type: none"> 1. Vuelva a instalar las bombillas. 2. Asegúrese de que los enchufes macho y hembra del soporte del kit de iluminación estén conectados correctamente. 3. Desactive la alimentación eléctrica y revise todas las conexiones de la caja de salida del techo.

GARANTÍA LIMITADA DE POR VIDA

El fabricante garantiza que este ventilador no presenta defectos de mano de obra ni de materiales en el momento del transporte desde la fábrica durante un período de por vida a partir de la fecha de compra del comprador original. El comercio minorista también garantiza que las demás piezas del ventilador, con excepción de cualquier aspa de vidrio o plexiglás, no presentan defectos de mano de obra ni de materiales en el momento del transporte desde la fábrica, durante un período de un año a partir de la fecha de compra por parte del comprador original. El fabricante acepta reparar dichos defectos sin cargo o, a su elección, reemplazar el ventilador de techo por un modelo comparable o superior.

Para obtener el servicio de garantía, presente una copia del recibo como comprobante de la compra. Todos los costos de retiro y reinstalación del producto son su responsabilidad. Esta garantía no se aplica a ningún daño que se produzca en cualquier pieza del producto como consecuencia de un accidente, uso indebido o instalación incorrecta, o causado por elementos accesorios. El fabricante no asume ningún tipo de responsabilidad por la instalación del ventilador durante la garantía limitada de por vida. Cualquier servicio realizado por una persona no autorizada invalidará la garantía.

Debido a las cambiantes condiciones climáticas, esta garantía no cubre cambios en el acabado de latón, incluidos la oxidación, las picaduras, la corrosión, el deslustre o el descascarado. Los acabados de latón de este tipo proporcionan una vida útil más prolongada si se los protege de las cambiantes condiciones climáticas. La garantía no cubre los elementos de vidrio incluidos con este ventilador.

Cualquier reemplazo de piezas defectuosas para el ventilador de techo debe informarse dentro del primer año posterior a la fecha de compra. Para conocer el saldo de la garantía, llame a nuestro departamento de servicio al cliente y obtenga la autorización de la devolución e instrucciones de envío de modo que podamos reparar o reemplazar el ventilador de techo. Cualquier ventilador o piezas devueltos de forma incorrecta son responsabilidad única del comprador. No existen otras garantías explícitas. El fabricante rechaza cualquier y todas las garantías. La duración de cualquier garantía implícita que no se pueda rechazar se limita al período de tiempo especificado en la garantía expresa. El fabricante no será responsable por daños incidentales, resultantes o especiales que surjan en relación con el uso o el rendimiento del producto, excepto que la ley indique lo contrario. Esta garantía le otorga derechos legales específicos, pero podría tener, también, otros derechos que varían según el estado.

Esta garantía sustituye cualquier garantía previa.

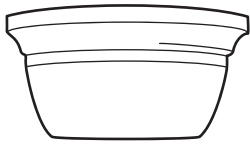
Nota: Un cierto “tambaleo” es normal y no se debe considerar como un defecto.



LISTA DE PIEZAS DE REPUESTO

Para obtener piezas de repuesto, llame a nuestro Departamento de Servicio al Cliente al 1-800-643-0067, de lunes a viernes de 8 a.m. a 6 p.m., y los viernes de 8 a.m. a 5 p.m., hora estándar del Este.

PIEZA	DESCRIPCIÓN	PIEZA #
A	Carcasa del motor	403520-A
B	Soporte de montaje	403520-B
C	Botón de tapón plástico	403520-C
F	Pantalla de vidrio	403520-F
G	Brazo del aspa	403520-G
H	Aspa	403520-H
J	Placa del remate	403520-J
K	Remate	403520-K
HW	Kit de aditamentos	403520-HW



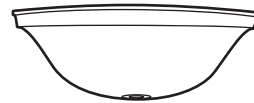
A



B



C



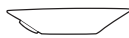
F



G



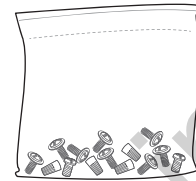
H



J



K



HW

Impreso en China

Harbor Breeze® es una marca registrada de LF, LLC.
Todos los derechos reservados.