

ITEM #0062325

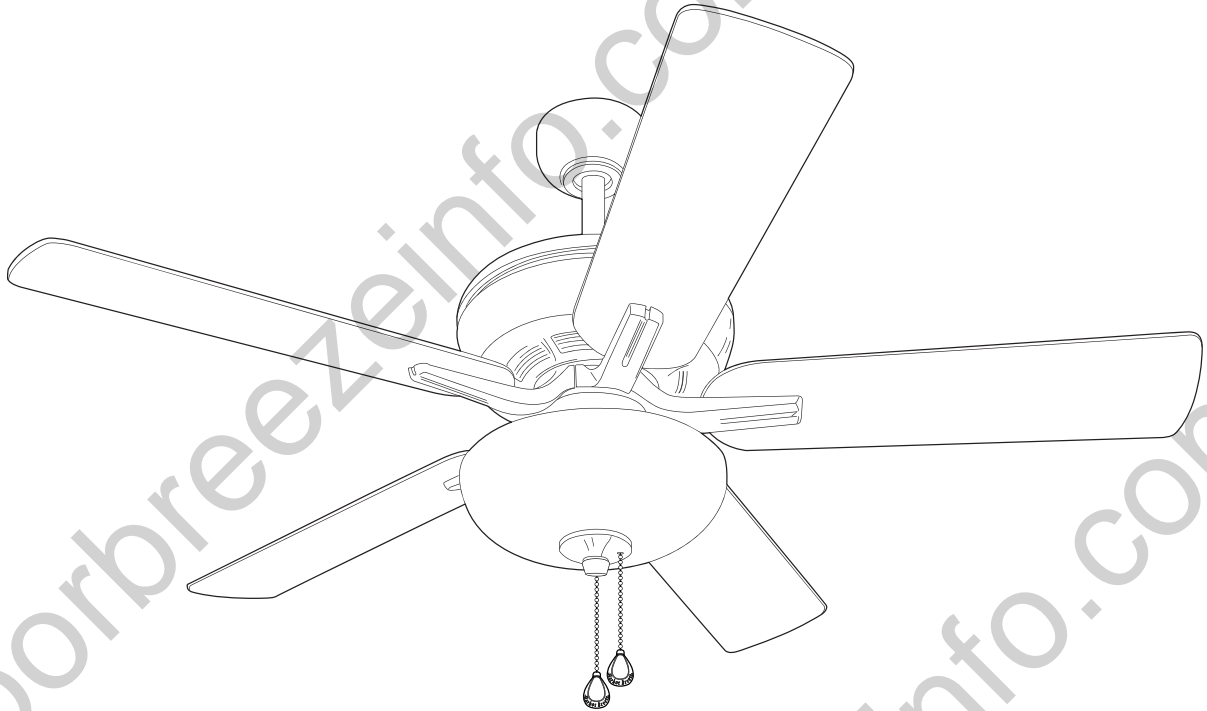


ECO BREEZE CEILING FAN

MODEL #E-TM52BNK5LED

Harbor Breeze® is a registered trademark of LF, LLC. All Rights Reserved.

Español p. 19



harborbreezeinfo.com



LISTED
E192641

ATTACH YOUR RECEIPT HERE

Serial Number _____ Purchase Date _____



Questions, problems, missing parts? Before returning to your retailer, call our customer service department at **1-800-643-0067**, 8 a.m. - 6 p.m., EST, Monday - Thursday, 8 a.m. - 5 p.m., EST, Friday.

EB14593

Lowes.com/harborbreeze



TABLE OF CONTENTS

Safety Information	2
Package Contents	4
Hardware Contents	5
Preparation	5
Initial Installation	6
Fan Mounting	7
Wiring	9
Final Installation	11
Operating Instructions	14
Care and Maintenance	16
Troubleshooting	16
Limited Lifetime Warranty	17
Replacement Parts List	18

SAFETY INFORMATION

READ AND SAVE THESE INSTRUCTIONS

Please read and understand this entire manual before attempting to assemble, install or operate the product.

- Do not discard fan carton or foam inserts. Should this fan need to be returned to the factory for repairs, it must be shipped in its original packaging to ensure proper protection against damage that might exceed the initial cause for return.
- Make sure all electrical connections comply with local codes, ordinances, the National Electrical Code and ANSI/NFPA 70-1999. Hire a qualified electrician or consult a do-it-yourself wiring handbook if you are unfamiliar with installing electrical wiring.
- Make sure the installation site you choose allows a minimum clearance of 7 ft. from the blades to the floor and at least 30 in. from the end of the blades to any obstruction.
- After you install the fan, make sure all connections are secure to prevent the fan from falling.
- The net weight of this fan including the light kit is: 24.53 lbs.



WARNING



To reduce the risk of fire, electrical shock or personal injury, mount fan to outlet box marked "ACCEPTABLE FOR FAN SUPPORT OF 35 LBS. OR LESS" and use mounting screws provided with the outlet box. Most outlet boxes commonly used for the support of lighting fixtures are not acceptable for fan support and may need to be replaced. Consult a qualified electrician if in doubt.

When mounting fan to a ceiling outlet box, use a METAL octagonal outlet box; do NOT use a plastic outlet box. Secure the outlet box directly to the building structure. The outlet box and its support must be able to support the moving weight of the fan (at least 35 lbs.).

To avoid personal injury, the use of gloves may be necessary while handling fan parts with sharp edges.

To reduce the risk of fire, electrical shock or personal injury, wire connectors provided with this fan are designed to accept only one 12-gauge house wire and two lead wires from the fan. If your house wire is larger than 12-gauge or there is more than one house wire to connect to the corresponding fan lead wires, consult an electrician for the proper size wire connectors to use.

To reduce the risk of fire or electrical shock, do not use the fan with any solid state speed control device or control fan speed with a full range dimmer switch.

To reduce the risk of fire, electrical shock or personal injury, do not bend the blade arms when installing them, balancing the blades or cleaning the fan. Do not insert objects between the rotating fan blades.

To reduce the risk of personal injury, use *only* parts provided with this fan. The use of parts *OTHER* than those provided with this fan will void the warranty.

Before proceeding, be sure to shut off electricity at main switch or circuit breaker in order to avoid electrical shock.

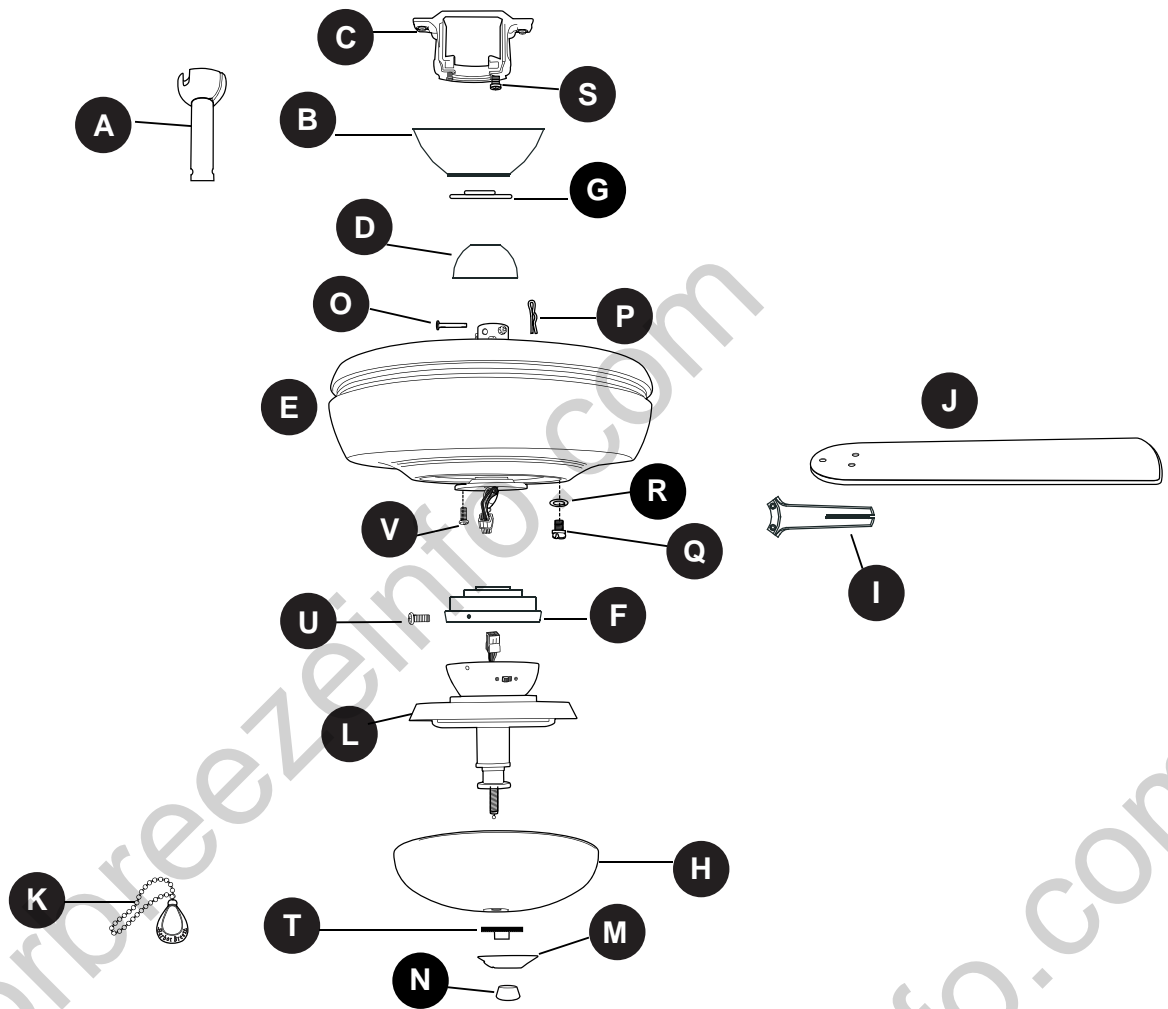
Risk of Fire and Electric Shock: *Do not repair or service this light kit.* The light source is designed for this specific application and can overheat if serviced by untrained personnel. If any servicing is required, call our customer service department (at 1-800-643-0067) for return authorization and shipping instructions.

CAUTION

Be sure outlet box is properly grounded and that a ground wire (green or bare) is present.

Before beginning installation, carefully check all screws, bolts and nuts on fan motor assembly to ensure that they are secured.

PACKAGE CONTENTS



PART	DESCRIPTION	QUANTITY
A	Downrod	1
B	Canopy	1
C	Mounting Bracket	1
D	Yoke Cover	1
E	Motor Housing	1
F	Switch Housing Plate	1
G	Canopy Cover	1
H	Glass Shade	1
I	Blade Arm	5
J	Blade	5
K	Pull Chain Extension	2
L	Light Kit Fitter	1

⚠ IMPORTANT REMINDER: You must use the parts provided with this fan for proper installation and safety.

PART	DESCRIPTION	QUANTITY
M	Finial Plate (preassembled)	1
N	Finial (preassembled)	1
O	Pin (preassembled)	1
P	Clip (preassembled)	1
Q	Motor Screw (preassembled)	10
R	Lock Washer (preassembled)	10
S	Canopy Mounting Screw (preassembled)	2
T	Threaded Washer (preassembled)	1
U	Switch Housing Screw (preassembled)	3
V	Fitter Plate Screw (preassembled)	3



HARDWARE CONTENTS (shown actual size)

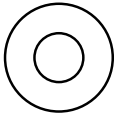
AA



Blade
Screw

Qty. 15
+ 1 extra

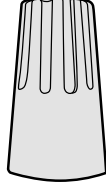
BB



Fiber
Blade
Washer

Qty. 15
+ 1 extra

CC



Wire
Connector

Qty. 4

PREPARATION

Before beginning assembly of product, make sure all parts are present. Compare parts with package contents list and hardware contents list. If any part is missing or damaged, do not attempt to assemble the product.

Estimated Assembly Time: 120 minutes

Tools Required for Assembly (not included): Electrical Tape, Phillips Screwdriver, Pliers, Safety Glasses, Stepladder and Wire Strippers

Helpful Tools (not included): AC Tester Light, Tape Measure, Do-It-Yourself Wiring Handbook and Wire Cutters

⚠ DANGER: When using an existing outlet box, make sure the outlet box is securely attached to the building structure and can support the full weight of the fan. Failure to do this can result in serious injury or death. The stability of the outlet box is essential in minimizing wobble and noise in the fan after installation is complete.

⚠ CAUTION: Be sure outlet box is properly grounded and a ground wire (green or bare) is present.

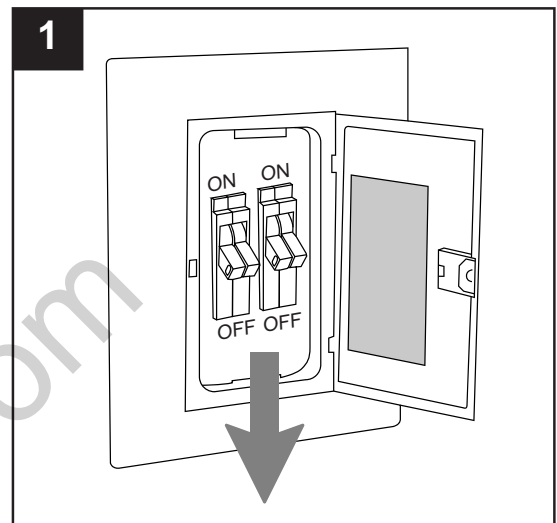
After opening top of carton, remove mounting hardware package from foam inserts. Remove motor from packing and place on carpet or on foam to avoid damage to finish.

⚠ CAUTION: Carefully check all screws, bolts and nuts on fan motor assembly to ensure they are secured.

INITIAL INSTALLATION

1. Turn off circuit breakers and wall switch to the fan supply line leads.

⚠ DANGER: Failure to disconnect power supply prior to installation may result in serious injury or death.



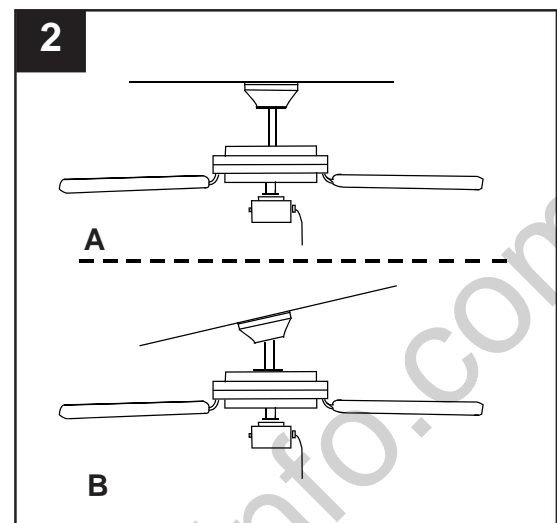
2. Determine mounting method to use.

A. Standard mount

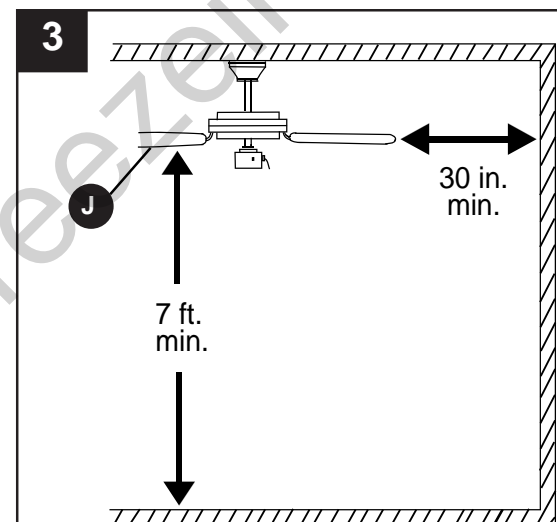
B. Angle mount

IMPORTANT: If using the angle mount, ensure the ceiling angle is not steeper than 19°.

***Helpful Hint:** Standard mounting is best suited for ceilings 8 ft. high or higher. For taller ceilings you may want to use a longer downrod (not included). Angle mounting is best suited for angled or vaulted ceilings. A longer downrod is sometimes necessary to ensure proper blade clearance.



3. Check to make sure blades (J) will be at least 30 in. from any obstruction and at least 7 ft. above the floor.



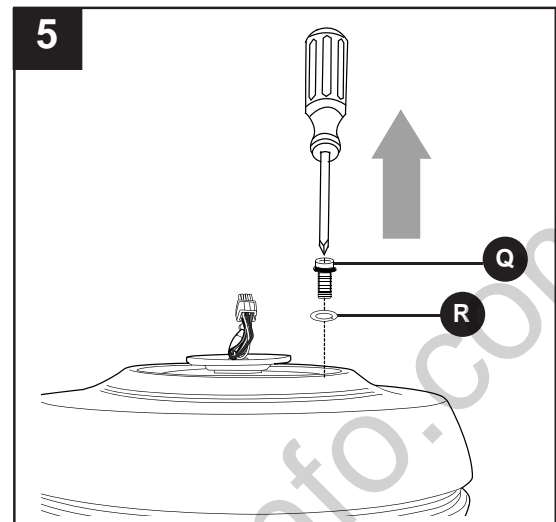
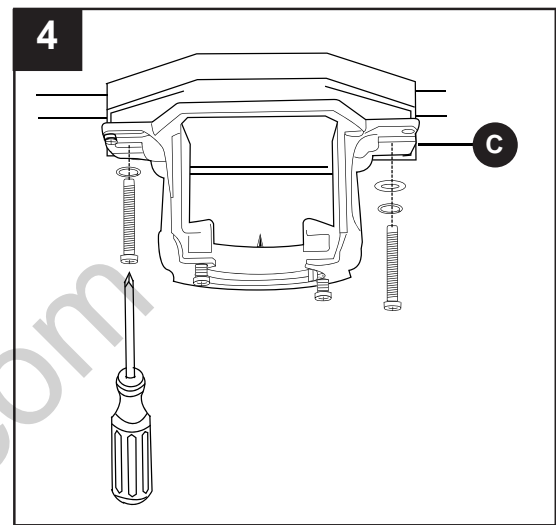
INITIAL INSTALLATION

- Secure mounting bracket (C) to outlet box (not included) using screws, spring washers and flat washers provided with the outlet box.

***NOTE:** It is very important you use the proper hardware when installing the mounting bracket (C) as this will support the fan.

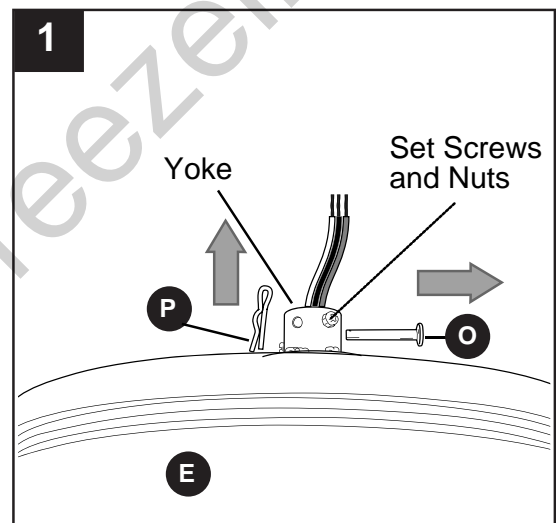
IMPORTANT: If using the angle mount, make sure open end of mounting bracket (C) is installed facing the higher point of the ceiling.

- Remove motor screws (Q) and lock washers (R) from underside of motor and save for blade arm (I) attachment later on. [If there are plastic motor blocks installed with the motor screws (Q) and lock washers (R), discard the plastic motor blocks.]



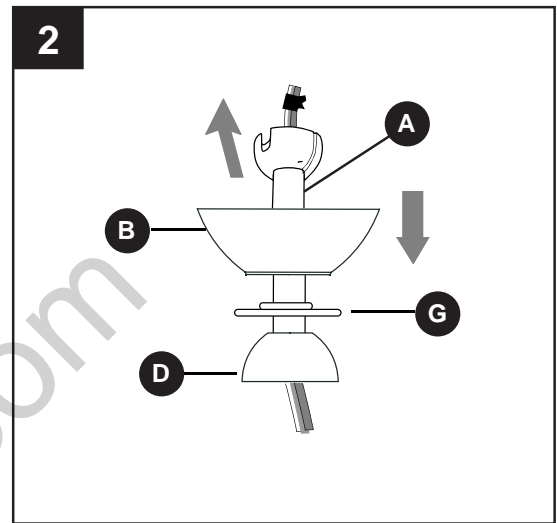
FAN MOUNTING

- Remove pin (O) and clip (P) from yoke at top of motor housing (E) and partially loosen preassembled set screws and nuts.

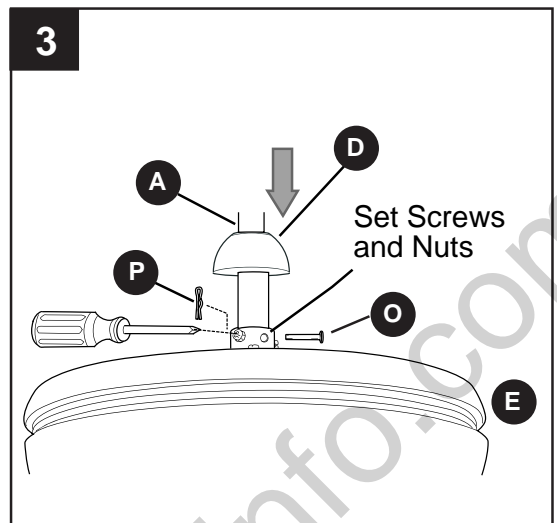


FAN MOUNTING

2. Insert downrod (A) through canopy (B), canopy cover (G) and yoke cover (D). **[NOTE: Canopy cover (G) must be turned with the smooth side toward the motor housing (E).]** Thread wires from motor housing (E) through downrod (A).



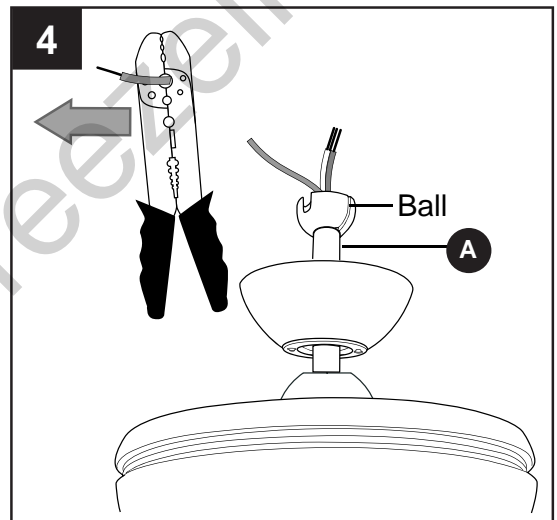
3. Slip downrod (A) into yoke, align holes and re-install pin (O) and clip (P). Tighten set screws and then tighten nuts on the set screws. Slide yoke cover (D) down until it rests on top of motor housing (E).



4. Depending on the length of downrod you use, you may need to cut the lead wires back to simplify the wiring. If you decide to cut back the lead wires, it is suggested you do so in the following manner:

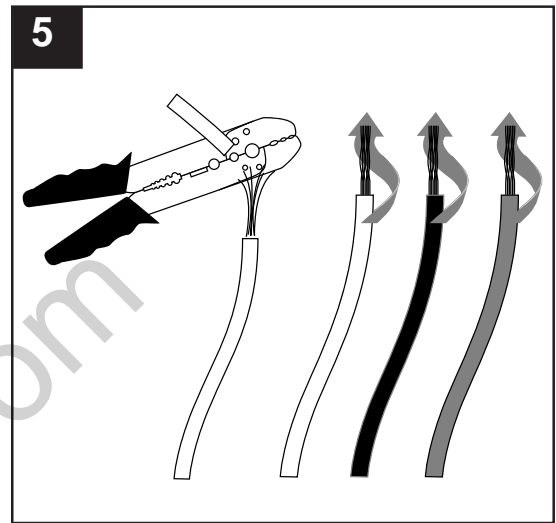
Take the lead wires and make sure you have pulled them all the way through the top of the downrod. Start at the TOP of the ball on the downrod and measure 8 in. of lead wire, and then cut the excess wire off with wire cutters (not included).

NOTE: If you do *not* cut back the lead wires, **Steps 4 and 5 are not necessary and you may proceed to Step 6 instead.**



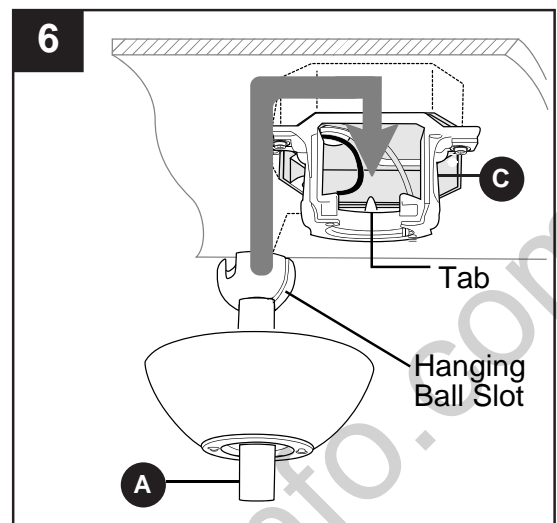
FAN MOUNTING

5. If you decided to cut back the lead wires in Step 4, strip a 1/2 in. of insulation from end of white wire. Twist stripped ends of each strand of wire within the insulation with pliers (not included). Repeat Step 5 for black, blue (if applicable) and green wires.



6. Install ball end of downrod (A) into mounting bracket (C) opening. Align slot in ball with tab in mounting bracket (C).

⚠ DANGER: Failure to align slot in ball with tab may cause the fan to wobble or fall, which could result in serious injury or death.



WIRING

⚠ WARNING: To reduce the risk of fire, electrical shock or personal injury, wire connectors provided with this fan are designed to accept only one 12-gauge house wire and two lead wires from the fan. If your house wire is larger than 12-gauge or there is more than one house wire to connect to the two fan lead wires, consult an electrician for the proper size wire connectors to use.

⚠ CAUTION: Be sure outlet box is properly grounded and a ground (green or bare) wire is present.

⚠ WARNING: If house wires are different colors than referred to in the following steps, stop immediately. A professional electrician is recommended to determine wiring.

NOTE: This fan is remote control adaptable (remote control not included). If you choose to purchase a remote control for use with the fan, be advised that the dimming function for the light will not be operable. Dimming capability for this light is only possible by using wall controls that control the fan and light *separately*, such as the WM-7WWL (not included).

WIRING

1. Choose wiring diagram (Fig. 1A, Fig. 1B or Fig. 1C) that fits your situation and make appropriate wiring connections as follows: **[IMPORTANT: For each wire connection below, use one of the wire connectors (CC), making sure to screw wire connector (CC) on in a clockwise direction.]**

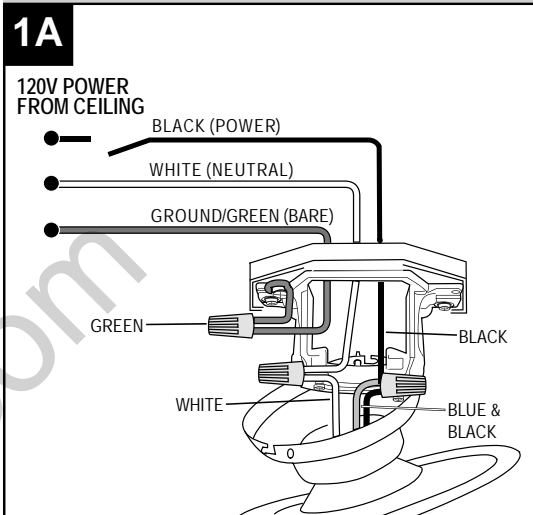
1A. FAN AND LIGHT CONTROLLED BY PULL CHAINS: Connect BLACK and BLUE wire from fan to BLACK wire from ceiling. Connect WHITE wire from fan to WHITE wire from ceiling. Connect all GROUND (GREEN) wires together from fan (on downrod (A) and mounting bracket (C)) to BARE/GREEN wire from ceiling.

1B. FAN CONTROLLED BY PULL CHAIN, LIGHT BY WALL SWITCH: If you intend to control the fan light with a separate wall switch, connect BLACK wire from fan to BLACK wire from ceiling. Connect BLUE wire from fan to the BLACK wire from the independent wall switch for the light. Connect WHITE wire from fan to WHITE wire from ceiling. Connect all GROUND (GREEN) wires together from fan (on downrod (A) and mounting bracket (C)) to BARE/GREEN wire from ceiling.

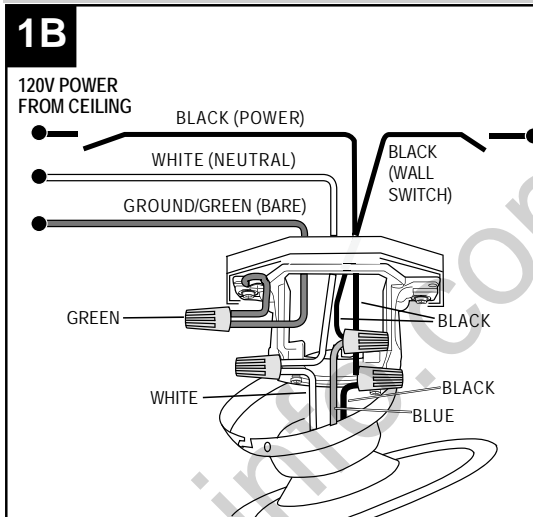
1C. FAN AND LIGHT CONTROLLED BY TWO WALL SWITCHES: If you intend to control the fan and light with separate wall switches, connect BLACK wire from fan to BLACK wire from the independent wall switch for the fan. Connect BLUE wire from fan to the BLACK wire from the other independent wall switch for the light. Connect WHITE wire from fan to WHITE wire from ceiling. Connect all GROUND (GREEN) wires together from fan (on downrod (A) and mounting bracket (C)) to BARE/GREEN wire from ceiling.

NOTE: BLACK wire is hot power for fan. BLUE wire is hot power for light kit. WHITE wire is common for fan and light kit. BARE/GREEN wire is ground.

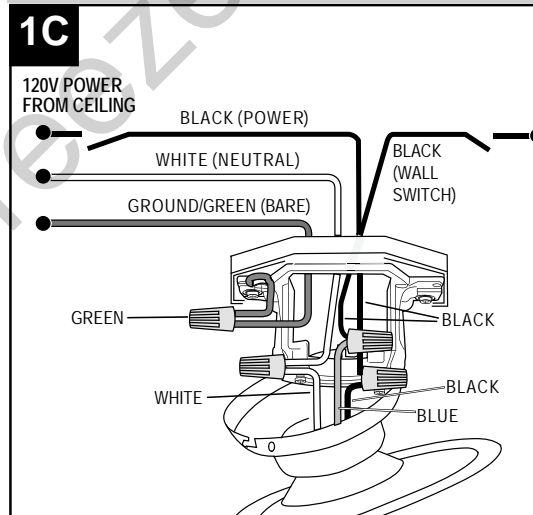
FAN AND LIGHT CONTROLLED BY PULL CHAINS



FAN CONTROLLED BY PULL CHAIN, LIGHT BY WALL SWITCH



FAN AND LIGHT CONTROLLED BY TWO WALL SWITCHES



WIRING

2. Wrap electrical tape (not included) around each individual wire connector (CC) down to the wire.

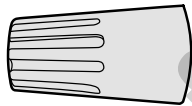
⚠ WARNING: Make sure no bare wire or wire strands are visible after making connections. Place GREEN and WHITE connections on opposite side of box from the BLACK and BLUE (if applicable) connections.

Turn spliced/taped wires upward and gently push wires and wire connectors (CC) into outlet box.

Hardware Used

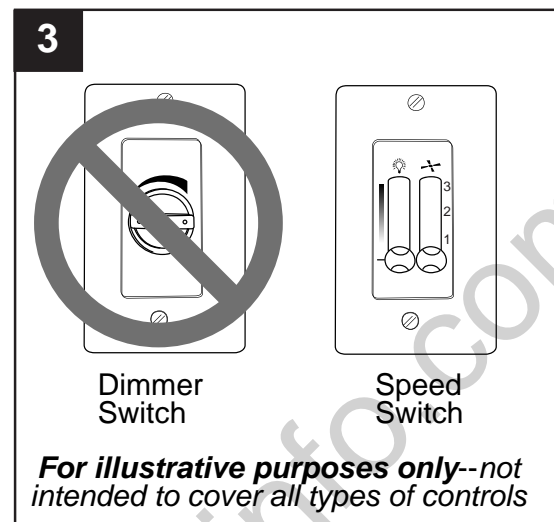
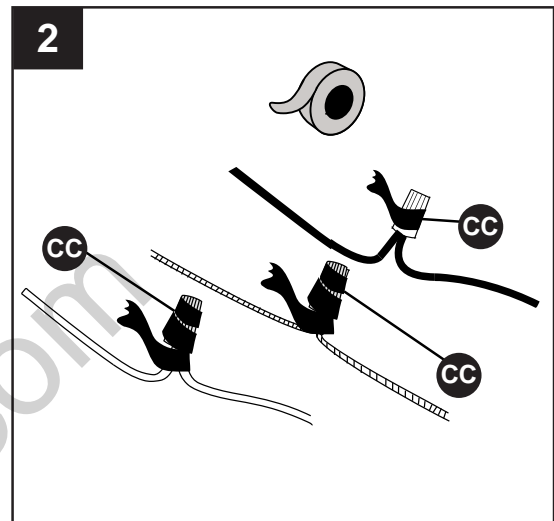


Wire Connector



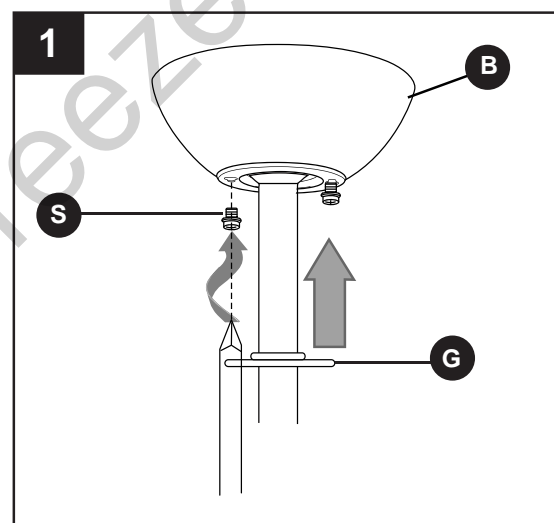
x 4

3. **IMPORTANT:** Using a full range dimmer switch (not included) to control fan speed will cause a loud humming noise from fan. To reduce the risk of fire or electrical shock, do NOT use a full range dimmer switch to control fan speed.



FINAL INSTALLATION

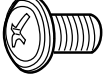
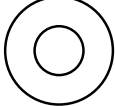
1. Locate two canopy mounting screws (S) on underside of mounting bracket (C) and remove canopy mounting screw (S) closest to the open end of the mounting bracket (C). Partially loosen the other canopy mounting screw (S). Lift canopy (B) to mounting bracket (C). Place rounded part of slotted hole in canopy (B) over loosened canopy mounting screw (S) in mounting bracket (C) and push up. Twist canopy (B) to lock. Re-insert canopy mounting screw (S) that was removed, and then tighten both canopy mounting screws (S). Slide canopy cover (G) up to canopy (B), aligning rounded part of slotted holes in canopy cover (G) with screwheads in bottom of canopy (B). Turn canopy cover (G) to the right (clockwise) until it stops.



FINAL INSTALLATION

- Partially insert three blade screws (AA) along with three fiber blade washers (BB) to attach one blade arm (I) to a blade (J). Then, tighten each blade screw (AA) starting with the one in the middle. Repeat with remaining blades (J).

Hardware Used

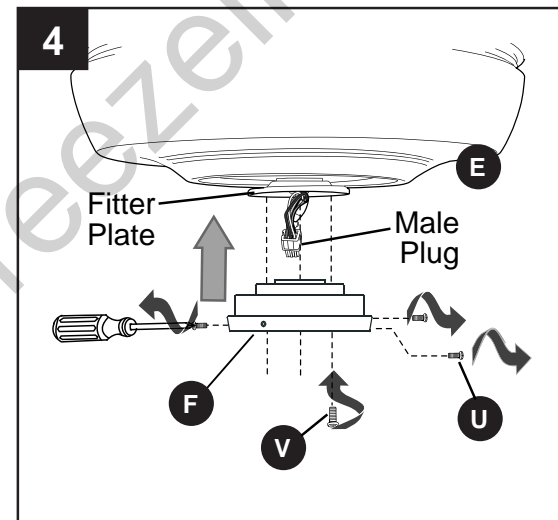
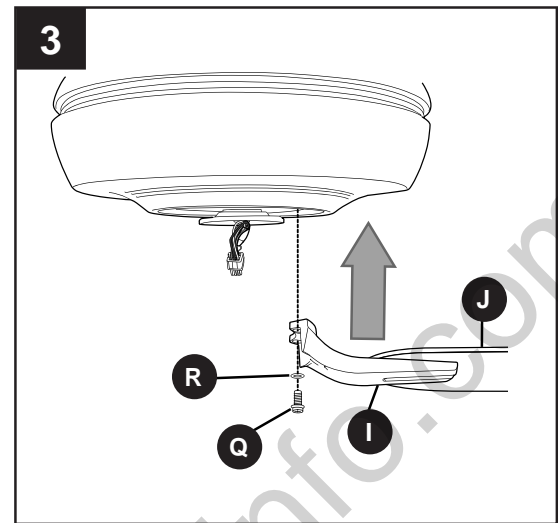
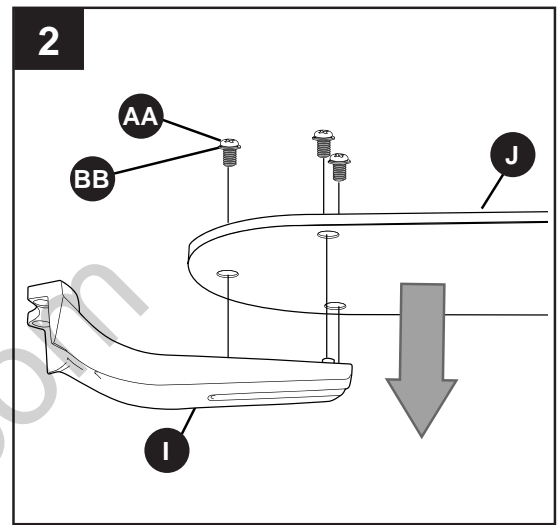
AA Blade Screw		x 15
BB Fiber Blade Washer		x 15

- Locate motor screws (Q) and lock washers (R) removed in Step 5, page 7.

Insert two motor screws (Q) along with lock washers (R) through one blade arm (I) to attach blade arm (I) to motor. Tighten motor screws (Q) securely. Repeat with remaining blade arms (I), making sure to completely secure each blade arm (I) before proceeding with the next.

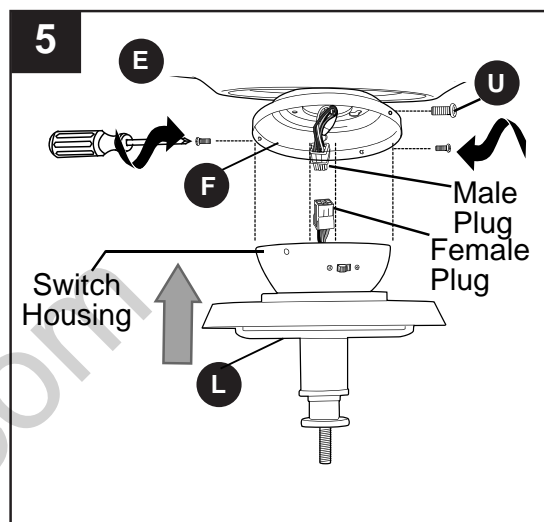
- Remove three screws from outer edge of switch housing plate (F).

Partially loosen two screws in fitter plate on underside of motor housing (E) and remove the other screw. Align slotted holes in switch housing plate (F) with loosened screws, allowing male plug from motor housing (E) to come through hole in switch housing plate (F). Twist switch housing plate (F) to lock. Re-insert the screw that was removed and securely tighten all three screws.

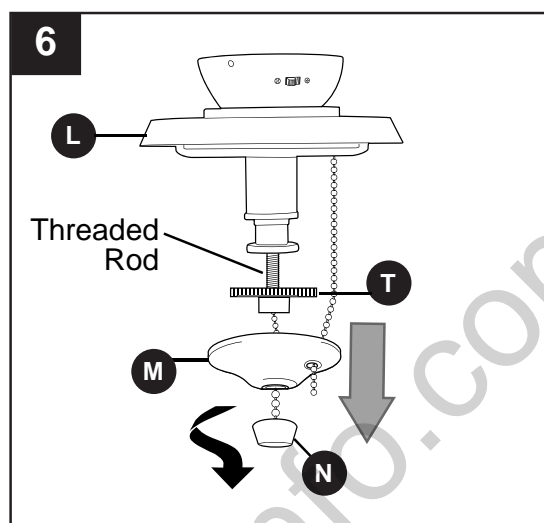


FINAL INSTALLATION

5. Connect male plug from motor housing (E) to female plug from light kit fitter (L), matching up the colors on the male plug with the colors on the female plug for correct fit. Make sure plugs are connected completely. Align holes in switch housing at top of light kit fitter (L) with holes in switch housing plate (F). Secure light kit fitter (L) with three screws previously removed. Tighten all screws securely.



6. Remove finial (N), finial plate (M) and threaded washer (T) from threaded rod and save for later use.

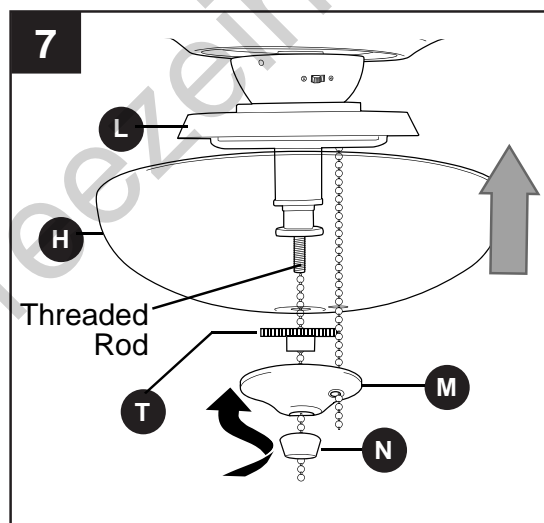


7. Align center hole in the glass shade (H) with threaded rod, allowing pull chains to come through corresponding holes in glass shade (H). Push up gently on glass shade (H) until threaded rod comes through hole. Secure glass shade (H) with threaded washer previously removed.

NOTE: Do NOT overtighten threaded washer (T) as glass may crack or break.

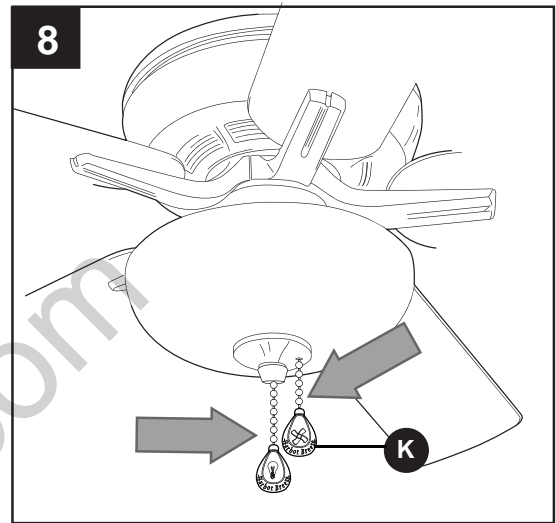
Thread pull chains through appropriate holes in finial plate (M) and push up on finial plate (M), allowing threaded rod to come through hole in middle of finial plate (M). Thread pull chain in middle through hole in finial (N) and re-attach finial (N).

NOTE: Do NOT overtighten finial (N) as glass may crack or break.



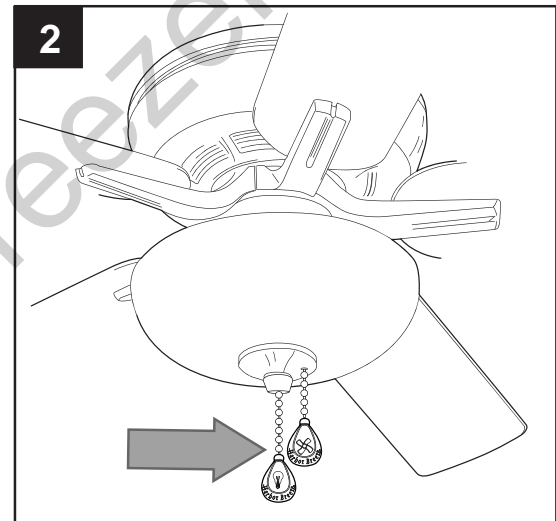
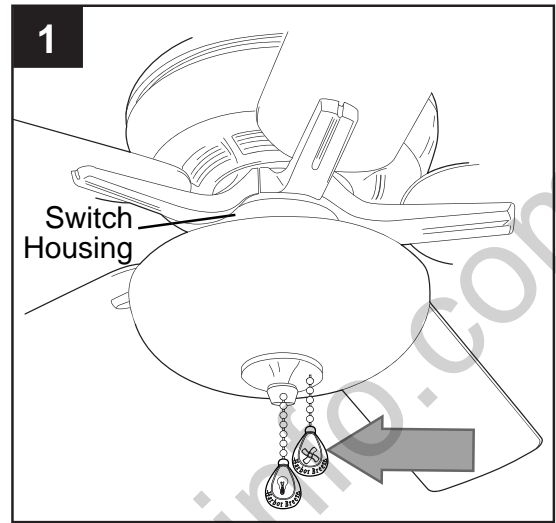
FINAL INSTALLATION

8. Attach pull chain extensions (K) or custom pull chain extensions (not included) to the fan and light pull chains.



OPERATING INSTRUCTIONS

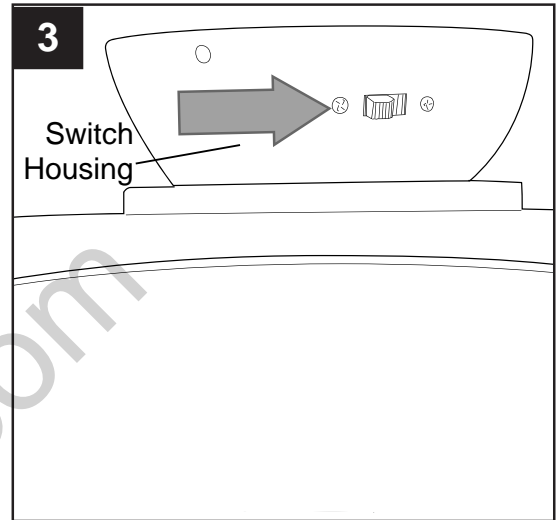
1. The pull chain located on the switch housing has four positions to control **fan** speed. One pull is HIGH, two is MEDIUM, three is LOW and four turns the fan OFF.
2. The pull chain located in the middle is used to turn the **light** ON or OFF.



OPERATING INSTRUCTIONS

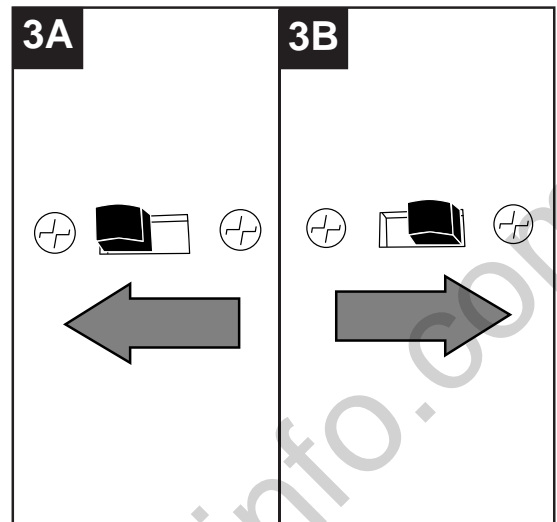
- Use the fan reverse switch, located on the switch housing, to optimize your fan for seasonal performance. A ceiling fan will allow you to raise your thermostat setting in summer and lower your thermostat setting in winter without feeling a difference in your comfort.

NOTE: Wait for fan to stop before moving the reverse switch.

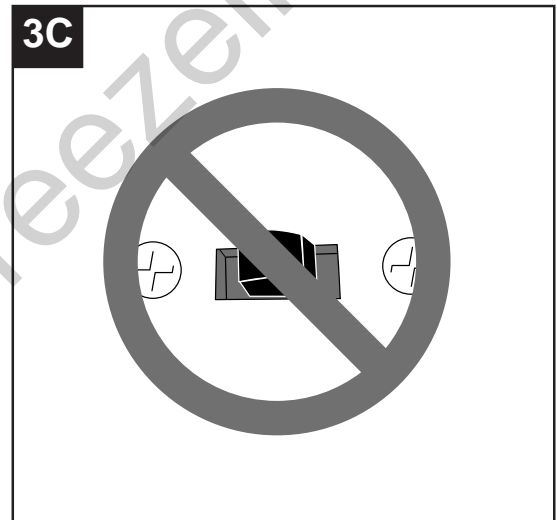


3A. In **warmer** weather, setting the reverse switch in the *LEFT* position will result in downward airflow creating a wind chill effect.

3B. In **cooler** weather, setting the reverse switch in the *RIGHT* position will result in upward airflow that can help move stagnant, hot air off the ceiling area.



3C. **IMPORTANT:** Reverse switch must be set either **completely to the RIGHT** or **completely to the LEFT** for fan to function. If the reverse switch is set in the *middle* position, fan will not operate.



CARE AND MAINTENANCE

At least twice each year, lower canopy (B) to check downrod (A) assembly, and then tighten all screws on fan. Clean fan with only a soft brush or lint-free cloth to avoid scratching the finish. Clean blades (J) with a lint-free cloth. You may occasionally apply a light coat of furniture polish to wood blades for added protection.

Important: Shut off main power supply before beginning any maintenance. Do not use water or a damp cloth to clean the ceiling fan.

TROUBLESHOOTING

Warning: Before beginning work, shut off the power supply to avoid electrical shock.

PROBLEM	POSSIBLE CAUSE	CORRECTIVE ACTION
Fan does not move.	<ol style="list-style-type: none"> Reverse switch not engaged. Power is off or fuse is blown. Faulty wire connection. Plugs not connected properly. 	<ol style="list-style-type: none"> Push switch firmly either left or right. Turn power on or check fuse. Turn power off. Loosen canopy and check all connections. Check that male and female plugs in switch housing are connected properly according to instructions on page 13.
Noisy operation.	<ol style="list-style-type: none"> Blades are loose. Cracked blade. Full range dimmer switch. Fan is new. 	<ol style="list-style-type: none"> Tighten all blade screws. Replace blade. Replace with an approved speed control device. Allow fan a "break in" period of a few days, especially when running the fan at Medium and High speeds.
Excessive wobbling.	<ol style="list-style-type: none"> Blades are loose. Blade arms incorrectly attached. Unbalanced blades). Fan not securely mounted. Fan too close to vaulted ceiling. Set screw(s) on motor housing yoke is (are) not tightened properly. Set screw on hanging ball is not tightened properly. 	<ol style="list-style-type: none"> Tighten all blade screws. Re-install blade arms. Switch one blade with a blade from the opposite side. Turn power off. Carefully loosen canopy and verify that mounting bracket is secure. Use a longer downrod or move fan to another location. Tighten yoke set screw(s) securely. Carefully loosen and lower canopy and verify that set screw on hanging ball is tightened securely.

TROUBLESHOOTING

PROBLEM	POSSIBLE CAUSE	CORRECTIVE ACTION
Fan operates but light fails.	<ol style="list-style-type: none">1. Wires in canopy not wired properly.2. Wall switch to fan is off.3. Plugs not connected properly.	<ol style="list-style-type: none">1. Check wires in canopy and, if necessary, re-wire according to instructions on pages 10 and 11.2. Make sure that wall switch to fan is on.3. Check that male and female plugs in switch housing are connected properly according to instructions on page 13.

Note: A small amount of "wobble" is normal and should not be considered a defect.

LIMITED LIFETIME WARRANTY

The distributor warrants this fan to be free from defects in workmanship and materials present at time of shipment from the factory for Lifetime limited from the date of purchase. This warranty applies only to the original purchaser. The distributor agrees to correct any defect at no charge or, at our option, replace the ceiling fan with a comparable or superior model.

To obtain warranty service, present a copy of your sales receipt as proof of purchase. All cost of removal and reinstallation are the express responsibility of the purchaser. Any damage to the ceiling fan by accident, misuse or improper installation, or by using parts not produced by the manufacturer of this fan or affixing accessories not produced by the manufacturer of this fan, are the purchaser's own responsibility. The distributor assumes no responsibility whatsoever for fan installation during the limited lifetime warranty. Any service performed by an unauthorized person will render the warranty invalid.

Due to varying climatic conditions, this warranty does not cover changes in brass finish, rusting, pitting, tarnishing, corroding or peeling. Brass finish fans maintain their beauty when protected from varying weather conditions. Any glass provided with this fan is not covered by the warranty.

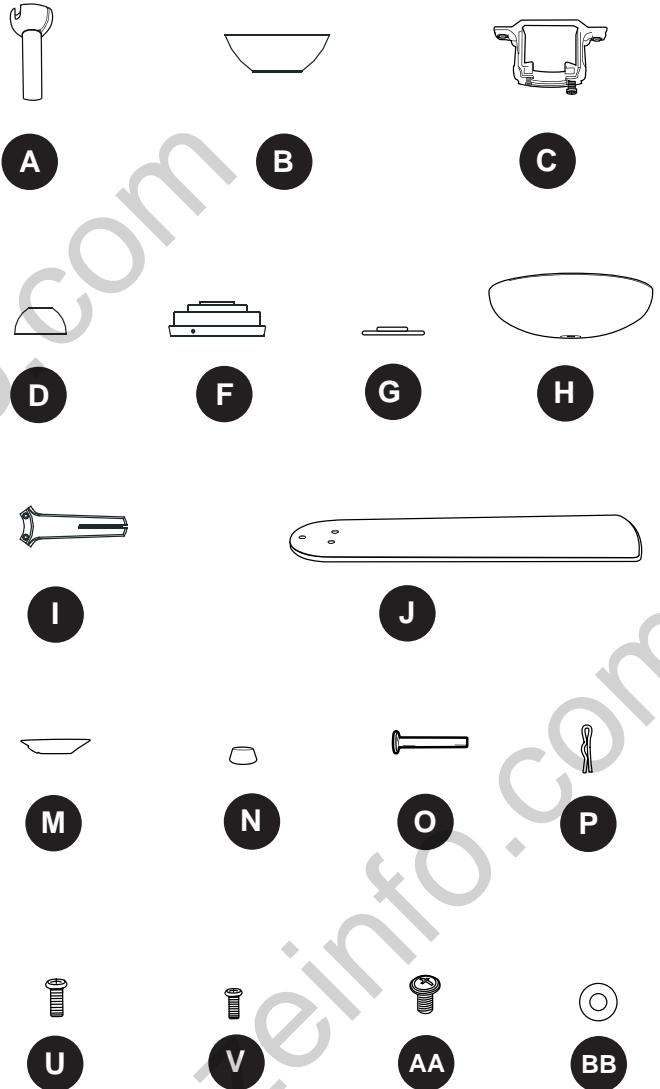
Any replacement of defective parts for the ceiling fan must be reported within the first year from the date of purchase. For the balance of the warranty, call our customer service department (at **1-800-643-0067**) for return authorization and shipping instructions so that we may repair or replace the ceiling fan. Any fan or parts returned improperly packaged is/are the sole responsibility of the purchaser. There is no further express warranty. The distributor disclaims any and all implied warranties. The duration of any implied warranty which cannot be disclaimed is limited to the limited lifetime period as specified in our warranty. The distributor shall not be liable for incidental, consequential or special damages arising at or in connection with product use or performance except as may otherwise be accorded by law. This warranty gives you specific legal rights and you may also have other rights which vary from state to state. This warranty supersedes all prior warranties.



REPLACEMENT PARTS LIST

For replacement parts, call our customer service department at **1-800-643-0067**, 8 a.m. - 6 p.m., EST, Monday - Thursday, 8 a.m. - 5 p.m., EST, Friday.

PART	DESCRIPTION	PARTS #
A	Downrod	62325-A
B	Canopy	62325-B
C	Mounting Bracket	62325-C
D	Yoke Cover	62325-D
F	Switch Housing Plate	62325-F
G	Canopy Cover	62325-G
H	Glass Shade	62325-H
I	Blade Arm	62325-I
J	Blade	62325-J
M	Finial Plate	62325-M
N	Finial	62325-N
O	Pin	62325-O
P	Clip	62325-P
Q	Motor Screw	62325-Q
R	Lock Washer	62325-R
S	Canopy Mounting Screw	62325-S
T	Threaded Washer	62325-T
U	Switch Housing Screw	62325-U
V	Fitter Plate Screw	62325-V
AA	Blade Screw	62325-AA
BB	Fiber Blade Washer	62325-BB



Printed in China

Harbor Breeze® is a registered trademark of LF, LLC. All Rights Reserved.



Lowes.com/harborbreeze

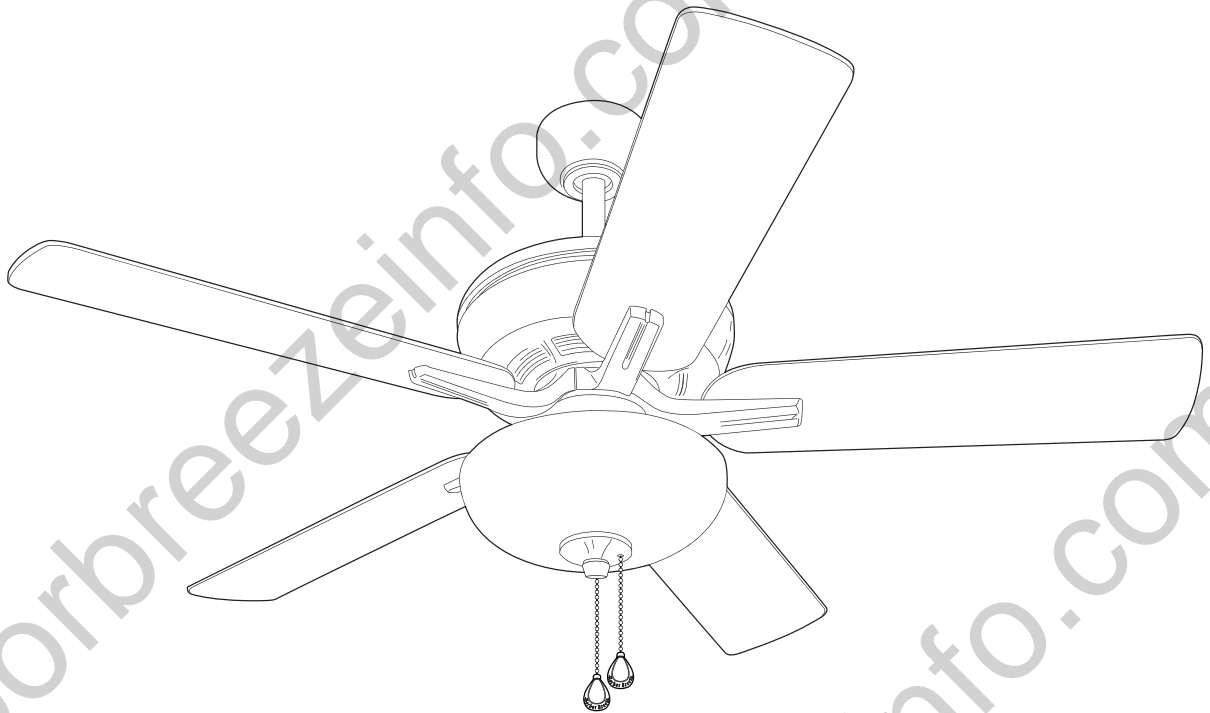


ARTÍCULO # 0062325

VENTILADOR DE TECHO ECO BREEZE

Harbor Breeze® es una marca registrada de LF, LLC.
Todos los derechos reservados.

MODELO # E-TM52BNK5LED



LISTED
E192641

ADJUNTE SU RECIBO AQUÍ

Número de serie _____ Fecha de compra _____



¿Preguntas, problemas, piezas faltantes? Antes de volver a la tienda, llame a nuestro Departamento de Servicio al Cliente al **1-800-643-0067**, de lunes a jueves de 8 a.m. a 6 p.m., y los viernes de 8 a.m. a 5 p.m., hora estándar del Este.

Lowes.com/harborbreeze



Información de seguridad	20
Contenido del paquete	22
Aditamentos	23
Preparación	23
Instalación inicial	24
Montaje del ventilador.....	25
Cableado	27
Instalación final	29
Instrucciones de funcionamiento	32
Cuidado y mantenimiento	34
Solución de problemas	34
Garantía	35
Lista de piezas de repuesto	36



INFORMACIÓN DE SEGURIDAD

LEA Y GUARDE ESTAS INSTRUCCIONES

Lea y comprenda completamente este manual antes de intentar ensamblar, instalar o usar el producto.

- No deseche la caja del ventilador ni los accesorios de espuma. En caso de que deba devolverse este ventilador a la fábrica para realizarle reparaciones, debe ser enviado en su empaque original para asegurar una protección adecuada contra daños que puedan aumentar la causa inicial de la devolución.
- Asegúrese de que todas las conexiones eléctricas cumplan con los códigos y ordenanzas locales, el Código Eléctrico Nacional la norma ANSI/NFPA 70-1999. Si no está familiarizado con la instalación del cableado eléctrico, contrate a un electricista calificado o consulte un manual de cableado para hacerlo usted mismo.
- Asegúrese de que el sitio de instalación que elija permita establecer una distancia mínima de 2,13 m (7 pies) desde las aspas hasta el piso y que los extremos de las aspas estén, como mínimo, a 76,2 cm (30 pulg) de cualquier obstáculo.
- Una vez instalado el ventilador, asegúrese de que todas las conexiones sean seguras a fin de evitar que se caiga.
- El peso neto de este ventilador, incluido el kit de iluminación, es: 11,15 kg.

ADVERTENCIA



Para reducir el riesgo de incendio, descargas eléctricas o lesiones personales, monte el ventilador en una caja de salida marcada como "ACCEPTABLE FOR FAN SUPPORT OF 35 LBS. OR LESS" (APTA PARA SOSTENER VENTILADORES DE 15,87 KG O MENOS) y utilice los tornillos de montaje que se proporcionan con la caja de salida. La mayoría de las cajas de salida que se usan comúnmente para sostener las lámparas, no son aptas para sostener un ventilador y puede ser necesario reemplazarlas. Si tiene dudas, consulte a un electricista calificado.

Cuando monte el ventilador en una caja de salida del techo, use una caja de salida octogonal de METAL; NO use una caja de salida de plástico. Asegure la caja de salida directamente a la estructura del edificio. La caja de salida y su soporte deben ser capaces de sostener el peso del ventilador en movimiento (al menos 15,88 kg).

Para evitar lesiones personales, puede ser necesario usar guantes al manipular las piezas del ventilador con bordes filosos.

Para reducir el riesgo de incendios, descargas eléctricas o lesiones personales, los conectores de cables incluidos con este ventilador están diseñados para soportar solo un cable de la casa de calibre 12 y dos cables conductores del ventilador. Si el cable de la casa es de un calibre superior a 12 o hay más de un cable para conectar a los cables conductores del ventilador correspondientes, consulte a un electricista cuál es el tamaño adecuado de los conectores de cables que debe utilizar.

Para reducir el riesgo de incendios o descargas eléctricas, no use el ventilador con dispositivos de control de velocidad para ventiladores de estado sólido ni controle la velocidad del ventilador con un regulador de intensidad de rango completo.

Para reducir el riesgo de incendio, descarga eléctrica o lesiones personales, no doble los brazos de las aspas al instalarlos, al equilibrar las aspas o al limpiar el ventilador. No introduzca objetos entre las aspas en movimiento.

Para reducir el riesgo de lesiones personales, use solo las piezas que se proporcionan con este ventilador. El uso de piezas *DISTINTAS* a aquellas que se proporcionan con este ventilador anulará la garantía.

Antes de proceder, asegúrese de cortar la alimentación eléctrica de la caja principal de fusibles o interruptor de circuito a fin de evitar descargas eléctricas.

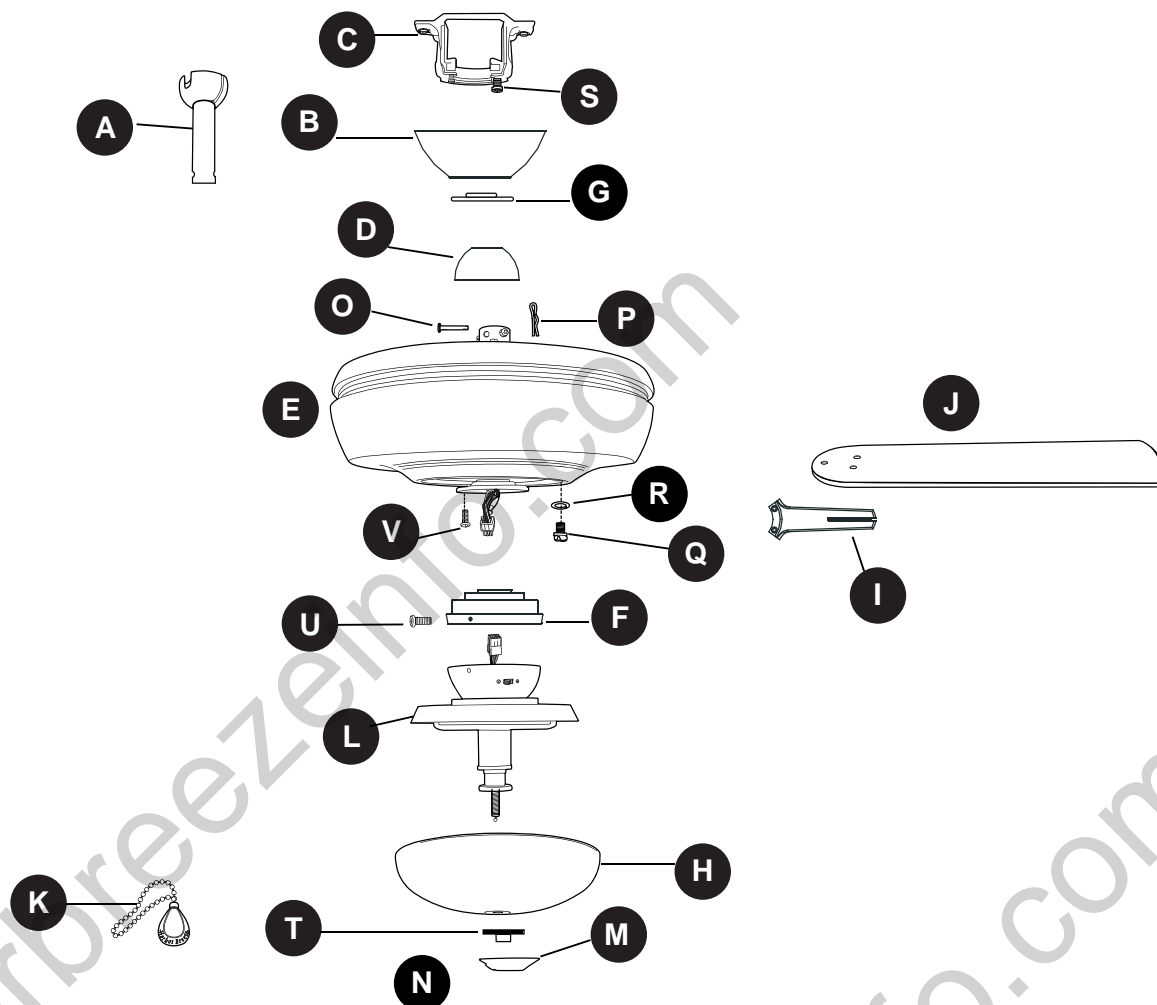
Riesgo de incendio y descarga eléctrica: *No repare ni realice mantenimiento a este kit de iluminación.* La fuente de luz está diseñada para esta aplicación específica y puede sobrecalentarse si personal sin capacitación le realiza mantenimiento. Si requiere mantenimiento, llame a nuestro Departamento de servicio al cliente (al 1-800-643-0067) para enviarle una autorización de devolución y las instrucciones de envío.

PRECAUCIÓN

Asegúrese de que la caja de salida tenga la debida puesta a tierra y de que haya un conductor (verde o desnudo) de puesta a tierra.

Antes de comenzar la instalación, revise cuidadosamente todos los tornillos, pernos y tuercas del ensamble del motor del ventilador para comprobar que estén asegurados.

CONTENIDO DEL PAQUETE



PIEZA	DESCRIPCIÓN	CANTIDAD
A	Varilla	1
B	Base	1
C	Soporte de montaje	1
D	Cubierta de la horquilla	1
E	Carcasa del motor	1
F	Placa de la carcasa del interruptor	1
G	Cubierta de la base	1
H	Pantalla de vidrio	1
I	Brazo del aspa	5
J	Aspa	5
K	Extensión de la cadena de tiro	2
L	Soporte del kit de iluminación	1

⚠ RECORDATORIO IMPORTANTE: Debe utilizar las piezas que se incluyen con este ventilador para la instalación adecuada y por seguridad.

PIEZA	DESCRIPCIÓN	CANTIDAD
M	Placa del remate (preensamblada)	1
N	Remate (preensamblado)	1
O	Pasador (preensamblado)	1
P	Sujetador (preensamblado)	1
Q	Tornillo del motor (preensamblado)	10
R	Arandela de seguridad (preensamblada)	10
S	Tornillo de montaje de la base (preensamblado)	2
T	Arandela roscada (preensamblada)	1
U	Tornillo de la carcasa del interruptor (preensamblado)	3
V	Tornillo de la placa de soporte (preensamblado)	3

ADITAMENTOS (se muestran en tamaño real)

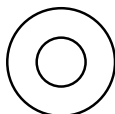
AA



Tornillo
para aspa

Cant. 15
+ 1 adicional

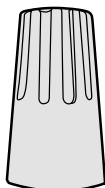
BB



Arandela del
aspa de fibra

Cant. 15
+ 1 adicional

CC



Conector
de cables

Cant. 4

PREPARACIÓN

Antes de comenzar a ensamblar el producto, asegúrese de tener todas las piezas. Compare las piezas con la lista del contenido del paquete y la lista de aditamentos. No intente ensamblar el producto si falta alguna pieza o si estas están dañadas.

Tiempo estimado de ensamblaje: 120 minutos

Herramientas necesarias para el ensamblaje (no se incluyen): Cinta aislante, destornillador Phillips, pinzas, gafas de seguridad, escalera de tijera y pinzas pelacables

Herramientas útiles (no se incluyen): Luz de prueba CA, cinta métrica, manual de cableado hágalo usted mismo y pinzas cortacables

⚠ PELIGRO: Si utiliza una caja de salida existente, asegúrese de que esté bien sujeta a la estructura del edificio y que pueda sostener el peso del ventilador. El incumplimiento de dicho paso podría provocar lesiones graves o la muerte. La estabilidad de la caja de salida es fundamental para minimizar el tambaleo y el ruido en el ventilador una vez que la instalación esté completa.

⚠ PRECAUCIÓN: Asegúrese de que la caja de salida tenga la debida puesta a tierra y de que haya un conductor (verde o desnudo) de puesta a tierra.

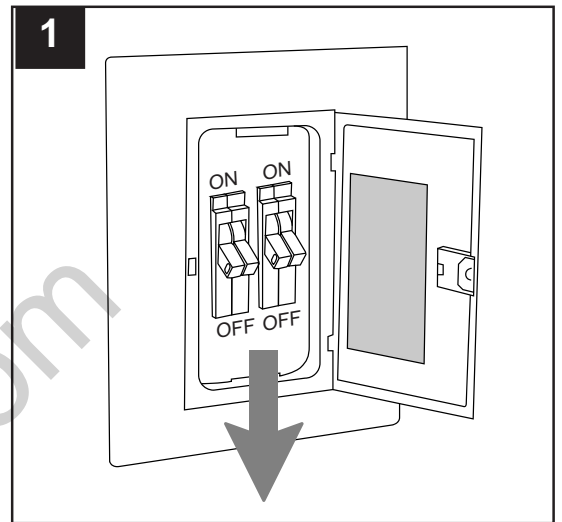
Después de abrir la parte superior de la caja, retire el paquete de aditamentos para montaje de los accesorios de espuma. Retire el motor del empaque y ubíquelo sobre una alfombra o espuma para evitar dañar el acabado.

⚠ PRECAUCIÓN: Revise cuidadosamente todos los tornillos, tuercas y pernos del ensamble del motor del ventilador para comprobar que estén seguros.

INSTALACIÓN INICIAL

1. Interrumpa el suministro de energía del ventilador apagando los interruptores de circuito y el interruptor de pared.

⚠ PELIGRO: Si no interrumpe el suministro de electricidad antes de la instalación, pueden producirse lesiones graves o la muerte.



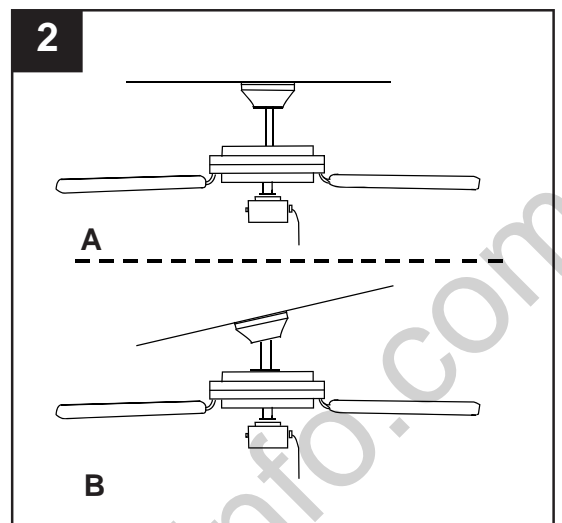
2. Determine el método de instalación que utilizará.

A. Montaje estándar

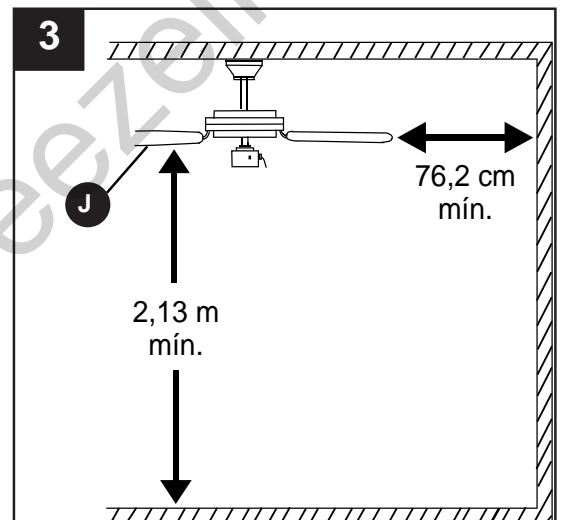
B. Montaje en ángulo

IMPORTANTE: Si realiza el montaje en ángulo, verifique que el ángulo del techo no tenga una inclinación superior a los 19°.

***Consejo útil:** El montaje estándar es mejor para los techos de 2,44 m de alto o más altos. Para techos más altos, se recomienda utilizar una varilla más larga (no incluida). El montaje en ángulo es mejor para los techos en ángulo o de bóveda. En ocasiones, es necesaria una varilla más larga para asegurar una adecuada separación de las aspas.



3. Compruebe que las aspas (D) estarán al menos a 76,2 cm de cualquier obstáculo y al menos a 2,13 m sobre el piso.

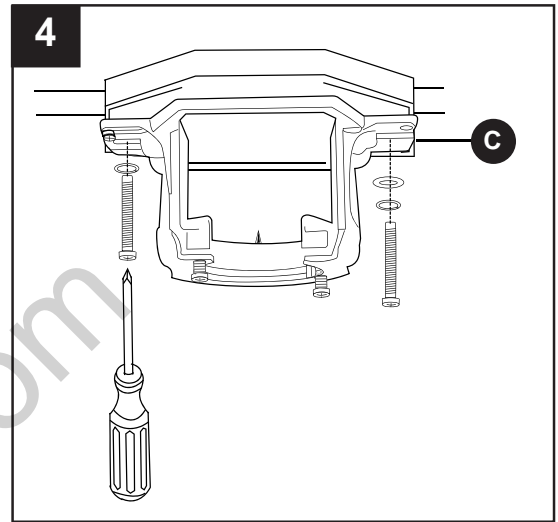


INSTALACIÓN INICIAL

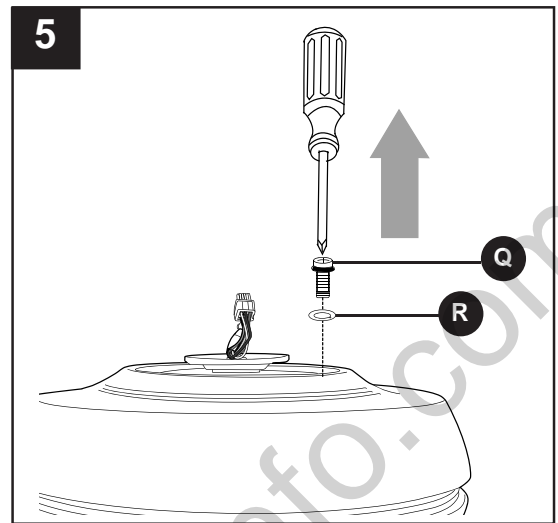
4. Asegure el soporte de montaje (C) a la caja de salida (no se incluye) con los tornillos, las arandelas de resorte y las arandelas planas provistas con la caja de salida.

***NOTA:** Es muy importante que use los aditamentos adecuados para instalar el soporte de montaje (C), ya que este soportará el ventilador.

IMPORTANTE: Si realiza el montaje en ángulo, asegúrese de que el extremo abierto del soporte de montaje (C) esté instalado en dirección hacia el punto más alto del techo.

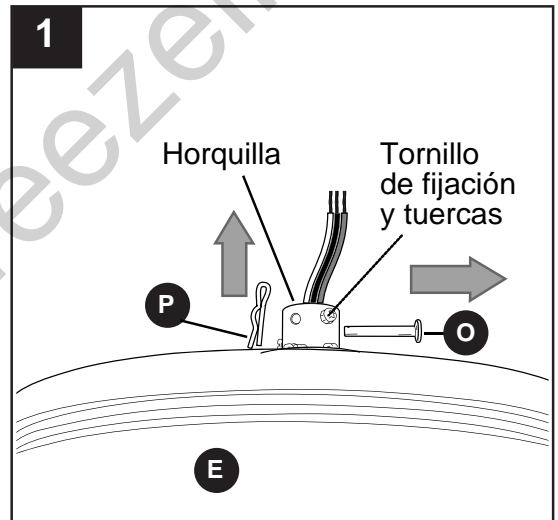


5. Retire los tornillos del motor (Q) y las arandelas de seguridad (R) desde debajo del motor y guárdelos para fijar el brazo del aspa (I) más adelante. [Si hay topes plásticos del motor instalados con los tornillos del motor (Q) y las arandelas de seguridad (R), deseche los topes plásticos del motor].



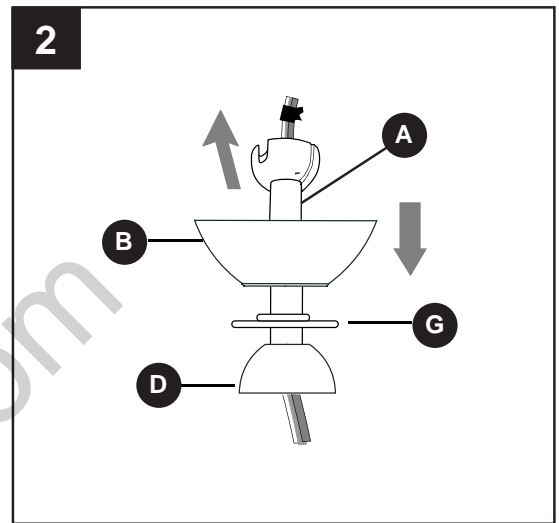
MONTAJE DEL VENTILADOR

1. Retire el pasador (O) y el sujetador (P) de la horquilla de la carcasa del motor (E) y afloje parcialmente los tornillos de fijación y tuercas preensamblados.

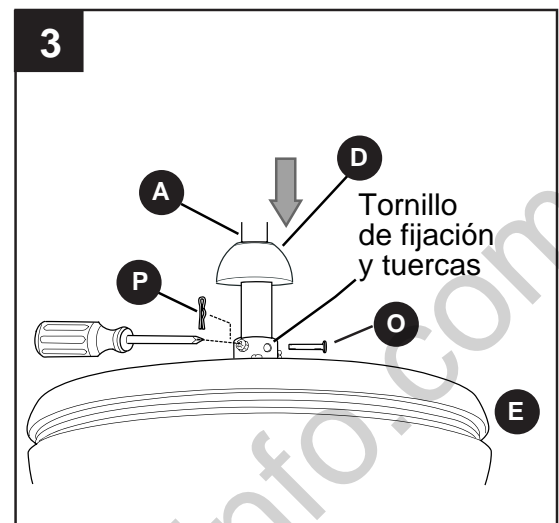


MONTAJE DEL VENTILADOR

- Introduzca la varilla (A) a través de la base (B), de la cubierta de la base (G) y de la cubierta de la horquilla (D). (**NOTA:** La cubierta de la base (G) debe girarse con el lado liso apuntando *hacia* la carcasa del motor (E)]. Pase los cables desde la carcasa del motor (E) a través de la varilla (A).



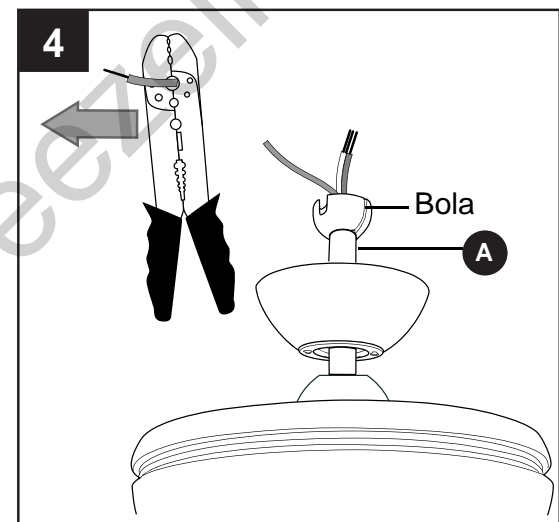
- Deslice la varilla (A) en la horquilla, alinee los orificios y vuelva a instalar el pasador (O) y el sujetador (P). Apriete los tornillos de fijación y luego las tuercas. Deslice la cubierta de la horquilla (D) hacia abajo hasta que quede sobre la carcasa del motor (E).



- Dependiendo del largo de la varilla que utilice, es posible que necesite cortar los cables conductores para simplificar el cableado. Si decide cortar los cables conductores, se sugiere hacerlo de la siguiente manera:

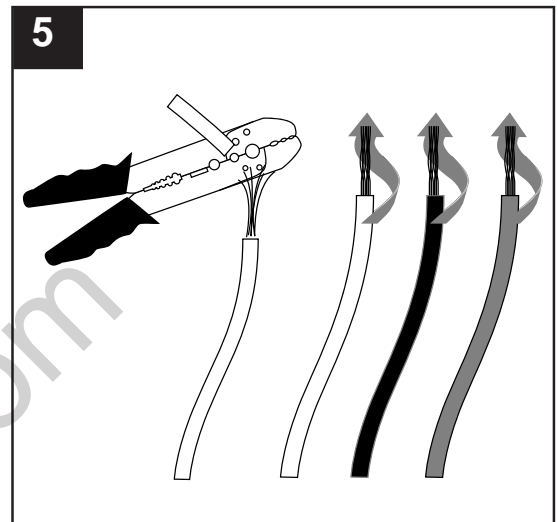
Tome los cables conductores y asegúrese de jalarlos completamente a través de la parte superior de la varilla. Comience en la parte SUPERIOR de la bola en la varilla y mida 20,32 cm de cable y corte el exceso con las pinzas cortacables (no se incluyen).

NOTA: Si **no** cortó los cables, los **Pasos 4 y 5 no son necesarios y puede proceder con el Paso 6 en su lugar.**



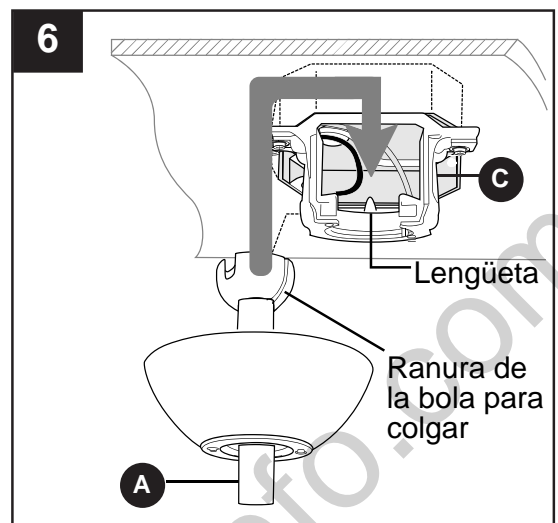
MONTAJE DEL VENTILADOR

5. Si decidió cortar los cables conductores en el paso 4, pele 1,27 cm del aislamiento del extremo del conductor blanco. Tuerza los extremos pelados de cada filamento de conductor dentro del aislamiento con pinzas (no se incluyen). Repita el paso 5 para los conductores negro, azul (si corresponde) y verde.



6. Instale el extremo con la bola de la varilla (A) en la abertura del soporte de montaje (C). Alinee la ranura de la bola con la lengüeta en el soporte de montaje (C).

⚠ PELIGRO: El no alinear la ranura de la bola con la lengüeta puede hacer que el ventilador se tambalee o caiga, lo que podría resultar en lesiones graves o muerte.



CABLEADO

⚠ ADVERTENCIA: Para reducir el riesgo de incendios, descargas eléctricas o lesiones personales, los conectores de cables proporcionados con este ventilador están diseñados para soportar solo un cable de la casa de calibre 12 y dos cables conductores del ventilador. Si el cable de la casa es de un calibre superior a 12 o hay más de un cable de la casa para conectar a los dos cables conductores del ventilador, pregúntele a un electricista cuál es el tamaño adecuado de los conectores de cables que debe utilizar.

⚠ PRECAUCIÓN: Asegúrese de que la caja de salida tenga la debida puesta a tierra y de que haya un conductor (verde o desnudo) de puesta a tierra.

⚠ ADVERTENCIA: Si los cables de la casa no tienen los mismos colores que se mencionan en los siguientes pasos, deténgase de inmediato. Se recomienda que un electricista profesional determine el cableado adecuado.

NOTA: Este ventilador es adaptable para control remoto (el control remoto no se incluye). Si decide comprar un control remoto para usar con el ventilador, tenga en cuenta que la función de regulación de la luz no quedará operativa. La capacidad de regulación de esta luz solo es posible con la utilización de controles de pared que controlen el ventilador y la luz *por separado*, como por ejemplo el WM-7WWL (no se incluye).

CABLEADO

1. Escoja el diagrama de cableado (Fig. 1A, Fig. 1B o Fig. 1C) que se ajuste a su situación y realice las conexiones del cableado adecuadas como se indica a continuación: [**IMPORTANTE:** Utilice uno de los conectores de cables (CC) provistos para realizar la conexión de cada cable y asegúrese de atornillar el conector de cable (CC) en dirección de las manecillas del reloj].

1A. VENTILADOR Y LUZ CONTROLADOS POR CADENAS DE TIRO: Conecte los cables NEGRO y AZUL del ventilador al cable NEGRO del techo. Conecte el cable BLANCO del ventilador al cable BLANCO del techo. Conecte los cables de PUESTA A TIERRA (VERDES) desde la varilla (A) y soporte de montaje (C) al cable DESNUDO o VERDE del techo.

1B. VENTILADOR CONTROLADO POR CADENA DE TIRO Y LUZ CONTROLADA POR INTERRUPTOR DE PARED: Conecte el cable NEGRO del ventilador al cable NEGRO del techo. Conecte el cable AZUL del ventilador al cable NEGRO (o ROJO) del interruptor de pared independiente para la luz. Conecte el cable BLANCO del ventilador al cable BLANCO del techo. Conecte los cables de PUESTA A TIERRA (VERDES) desde la varilla (A) y soporte de montaje (C) al cable DESNUDO o VERDE del techo.

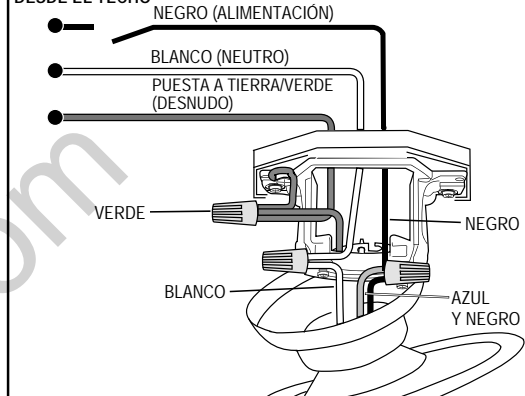
1C. VENTILADOR Y LUZ CONTROLADOS POR DOS INTERRUPTORES DE PARED: Conecte el cable NEGRO del ventilador al cable NEGRO (o ROJO) del interruptor de pared independiente del ventilador. Conecte el conductor AZUL del ventilador al conductor NEGRO (o ROJO) del otro interruptor de pared independiente para la luz. Conecte el cable BLANCO del ventilador al cable BLANCO del techo. Conecte los cables de PUESTA A TIERRA (VERDES) desde la varilla (A) y soporte de montaje (C) al cable DESNUDO o VERDE del techo.

NOTA: El cable NEGRO es el que proporciona alimentación al ventilador. El cable AZUL es el que proporciona alimentación al kit de iluminación. El cable BLANCO es para el ventilador y el kit de iluminación. El cable VERDE o DESNUDO es la puesta a tierra.

VENTILADOR Y LUZ CONTROLADOS POR CADENAS DE TIRO

1A

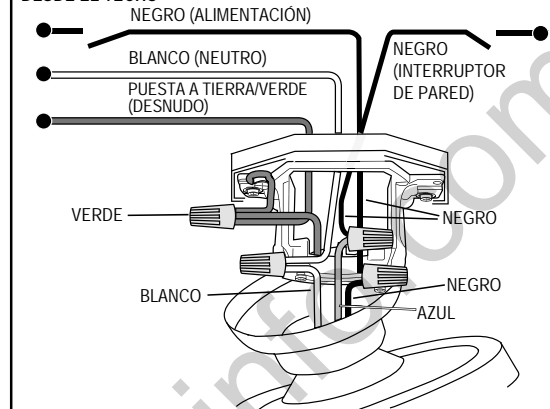
ALIMENTACIÓN DE 120 V DESDE EL TECHO



VENTILADOR CONTROLADO POR CADENA DE TIRO Y LUZ CONTROLADA POR INTERRUPTOR DE PARED

1B

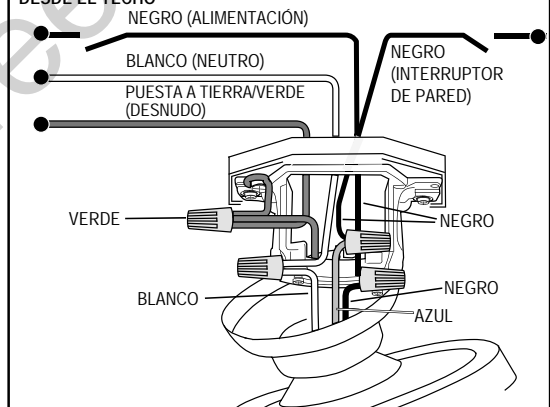
ALIMENTACIÓN DE 120 V DESDE EL TECHO



VENTILADOR CONTROLADO POR CADENA DE TIRO Y LUZ CONTROLADA POR INTERRUPTOR DE PARED

1C

ALIMENTACIÓN DE 120 V DESDE EL TECHO



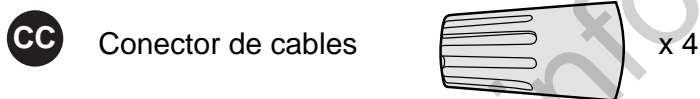
CABLEADO

- Cubra con cinta aislante (no se incluye) cada conector de cables (CC) individual hacia abajo del cable.

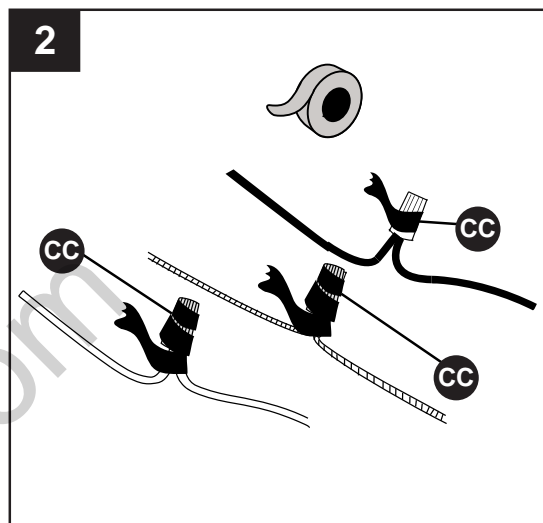
⚠ ADVERTENCIA: Asegúrese de que no haya conductores desnudos ni filamentos de conductores visibles después de hacer la conexión. Coloque las conexiones VERDES y BLANCAS en el lado opuesto de las conexiones NEGRAS y AZULES de la caja (si corresponde).

Gire los conductores empalmados o cubiertos con cinta hacia arriba y empuje suavemente los conductores y los conectores de cables (CC) hacia dentro de la caja de salida.

Aditamentos utilizados

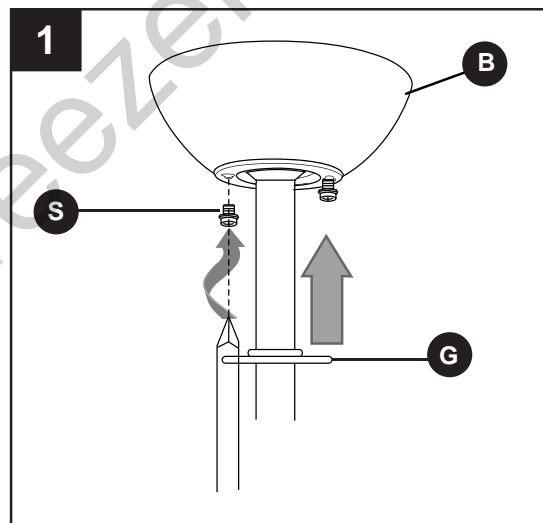


- IMPORTANTE:** Si usa un regulador de intensidad de rango completo (no se incluye) para controlar la velocidad del ventilador, provocará un zumbido intenso del ventilador. Para reducir el riesgo de incendios o descargas eléctricas, NO use un regulador de intensidad de rango completo para controlar la velocidad del ventilador.



INSTALACIÓN FINAL

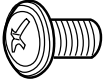
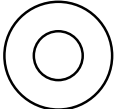
- Ubique dos tornillos de montaje de la base (S) debajo del soporte de montaje (C) y retire el tornillo de montaje de la base (S) más cercano al extremo abierto del soporte de montaje (C). Afloje parcialmente el otro tornillo de montaje de la base (S). Levante la base (B) hasta el soporte de montaje (C). Coloque la parte redondeada del orificio ranurado de la base (B) sobre el tornillo de montaje de la base (S) suelto en el soporte de montaje (C) y empuje hacia arriba. Gire la base (B) para fijarla. Vuelva a insertar el tornillo de montaje de la base (S) que retiró y luego apriete ambos tornillos de montaje de la base (S). Deslice la cubierta de la base (G) hacia arriba hasta la base (B) alineando la parte redondeada de los orificios ranurados en la cubierta de la base (G) con las cabezas de los tornillos en la parte inferior de la base (B). Gire la cubierta de la base (G) hacia la derecha (en dirección de las manecillas del reloj) hasta que se detenga.



INSTALACIÓN FINAL

2. Inserte parcialmente tres tornillos para las aspas (AA), junto con tres arandelas para las aspas de fibra (BB) para fijar un brazo del aspa (I) a un aspa (J). Luego, apriete cada uno de los tornillos para las aspas (AA), comenzando por el que está en el centro. Repítalo con el resto de las aspas (J).

Aditamentos utilizados

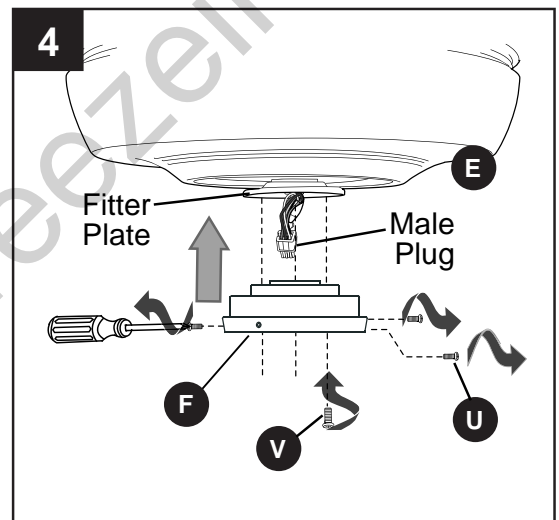
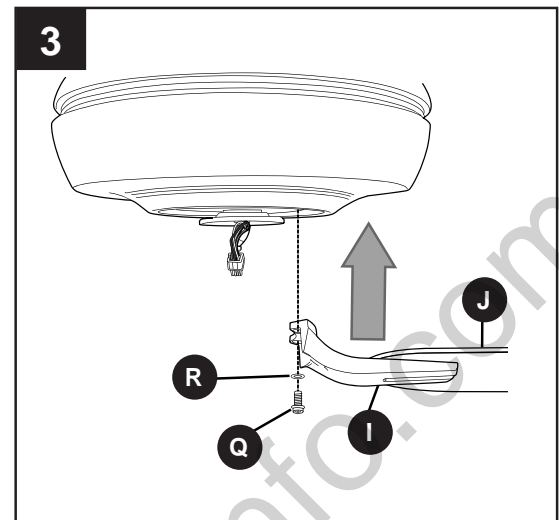
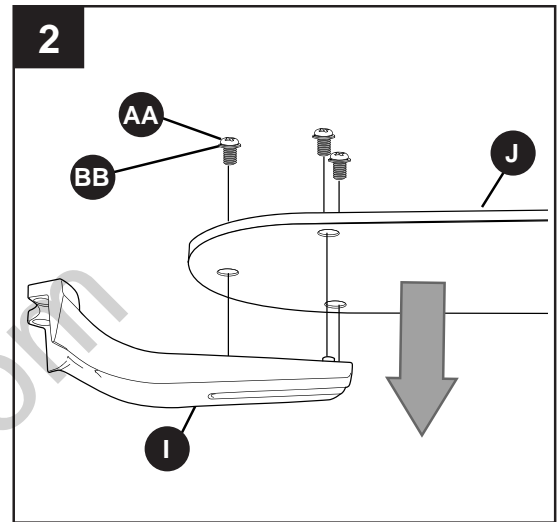
AA	Tornillo para aspa		x 15
BB	Arandela del aspa de fibra		x 15

3. Localice los tornillos del motor (Q) y las arandelas de seguridad (R) quitados en el Paso 5, página 25.

Inserte dos tornillos para el motor (Q) junto con las arandelas de seguridad (R) a través de un brazo para aspa (I) para fijar el brazo del aspa (I) al motor. Apriete bien los tornillos del motor (Q). Repita con los brazos para las aspas (I) restantes, asegurando completamente cada brazo para aspa (I) antes de proceder con el siguiente.

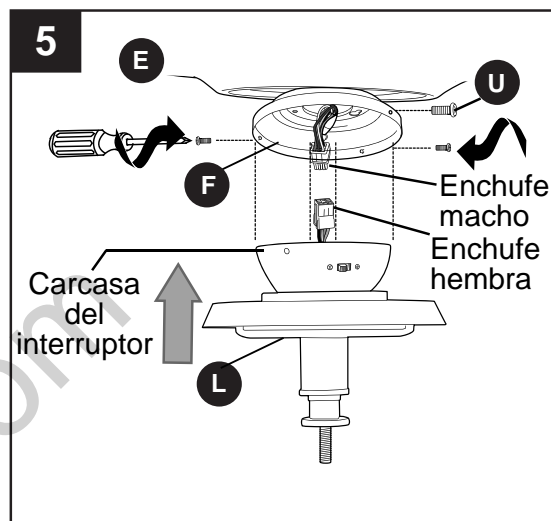
4. Retire tres tornillos del extremo externo de la placa de la carcasa del interruptor (F).

Afloje parcialmente dos tornillos de la placa de soporte (V) y retire el otro tornillo. Alinee los orificios ranurados en la placa de la carcasa del interruptor (F) con los tornillos aflojados en la placa de soporte (V), permitiendo que el enchufe macho de la carcasa del motor (E) pase a través el orificio en la placa de la carcasa del interruptor (F). Gire la placa de la carcasa del interruptor (F) para bloquearla. Vuelva a insertar el tornillo que retiró y apriete bien los tres tornillos.

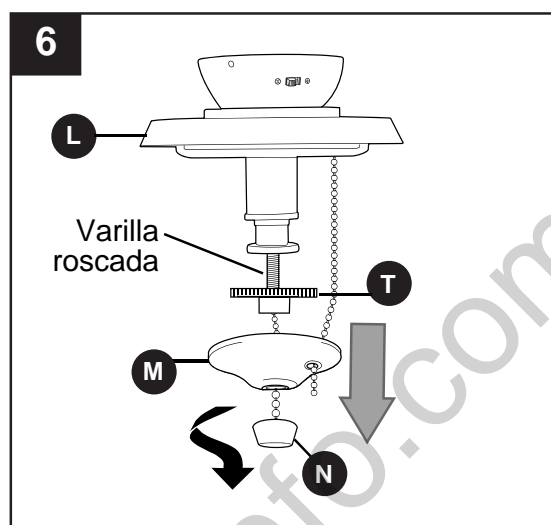


INSTALACIÓN FINAL

5. Conecte el enchufe macho de la carcasa del motor (E) al enchufe hembra del soporte del kit de iluminación (L) y haga coincidir los colores del enchufe macho con los del enchufe hembra para un ajuste correcto. Asegúrese de que los enchufes estén conectados completamente. Alinee los orificios de la carcasa del interruptor en la parte superior del soporte del kit de iluminación (L) con los orificios de la placa de la carcasa del interruptor (F). Fije el soporte del kit de iluminación (L) con los tres tornillos que retiró anteriormente. Apriete bien todos los tornillos.



6. Retire el remate (N), la placa del remate (M) y la arandela roscada (T) de la varilla roscada y guárdelos para utilizarlos posteriormente.

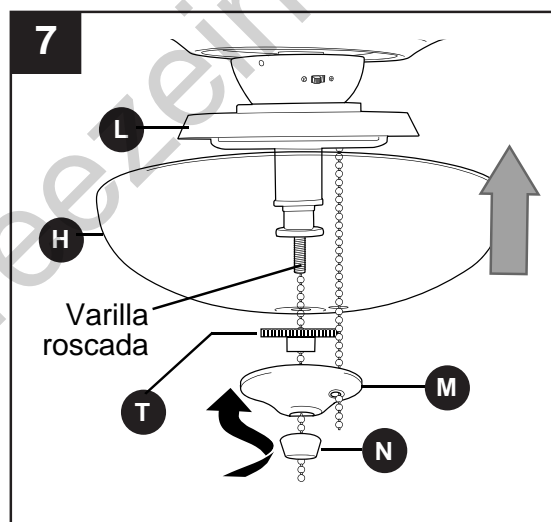


7. Alinee el orificio central de la pantalla de vidrio (H) con la varilla roscada, permitiendo que las cadenas de tiro pasen a través de los orificios correspondientes en la pantalla de vidrio (H). Empuje la pantalla de vidrio (H) suavemente hacia arriba hasta que la varilla roscada pase por el orificio. Fije la pantalla de vidrio (H) con la arandela roscada que retiró anteriormente.

NOTA: NO apriete demasiado la arandela roscada (T), ya que el vidrio podría quebrarse o agrietarse.

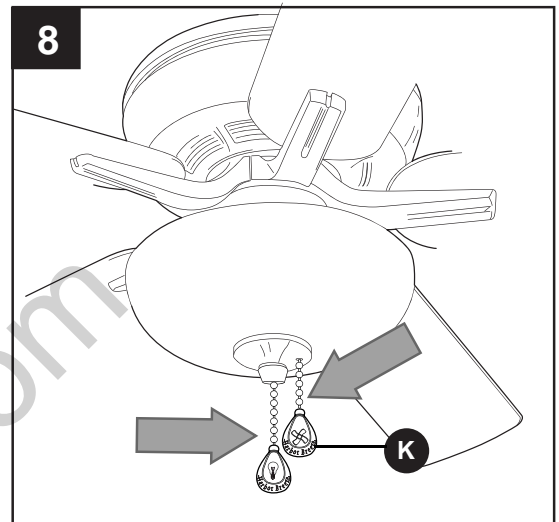
Pase las cadenas de tiro a través de los orificios correctos en la placa del remate (M) y presione la placa del remate (M) hacia arriba, permitiendo que la varilla roscada pase por el orificio en la parte central de la placa del remate (M). Enrosque la cadena de tiro central a través del orificio en el remate (N) y vuelva a fijar el remate (N).

NOTA: NO apriete demasiado el remate (N) ya que podría agrietar o quebrar el vidrio.



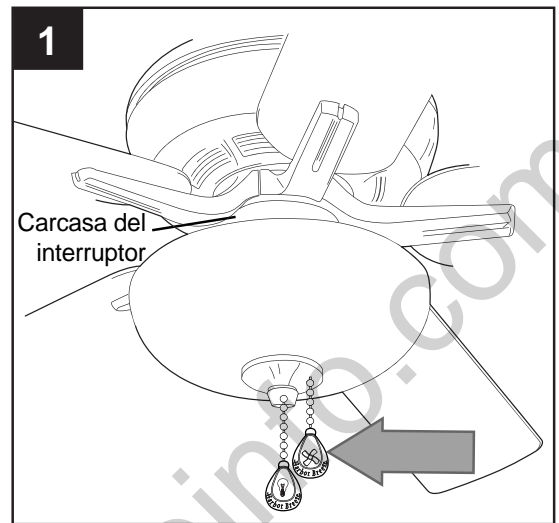
INSTALACIÓN FINAL

8. Fije las extensiones de las cadenas de tiro (K) o las extensiones de cadenas de tiro a medida (no incluidas) al ventilador y la luz.

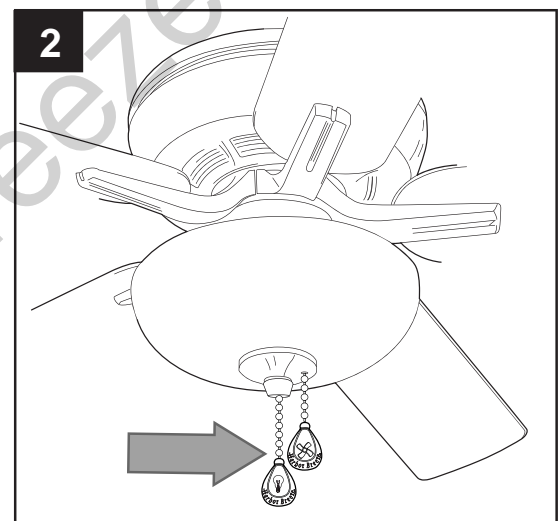


INSTRUCCIONES DE FUNCIONAMIENTO

1. La cadena de tiro ubicada en la carcasa del interruptor tiene cuatro posiciones para controlar la velocidad del **ventilador**. Jale una vez para la posición HIGH (ALTA); dos para la posición MEDIUM (MEDIA); tres para la posición LOW (BAJA); y cuatro para la posición OFF (APAGADO) que apaga el ventilador.



2. La cadena de tiro ubicada en la parte central se utiliza para ENCENDER o APAGAR las **luces**.



INSTRUCCIONES DE FUNCIONAMIENTO

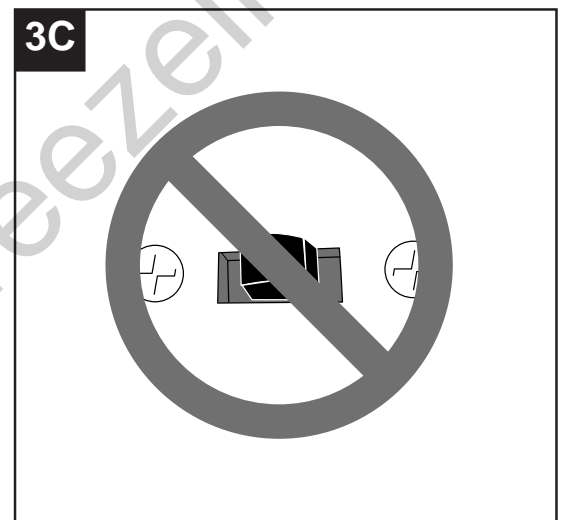
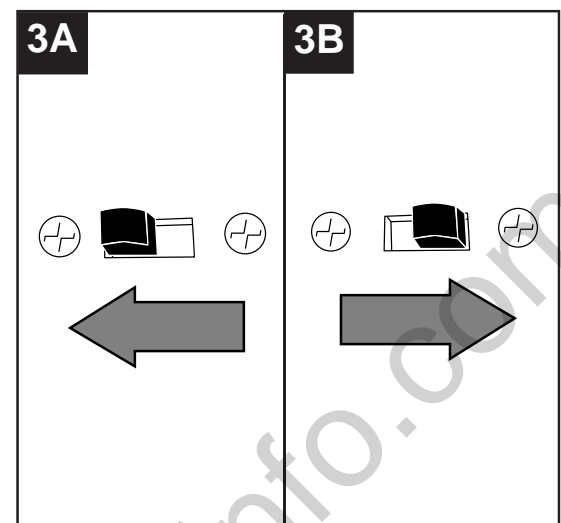
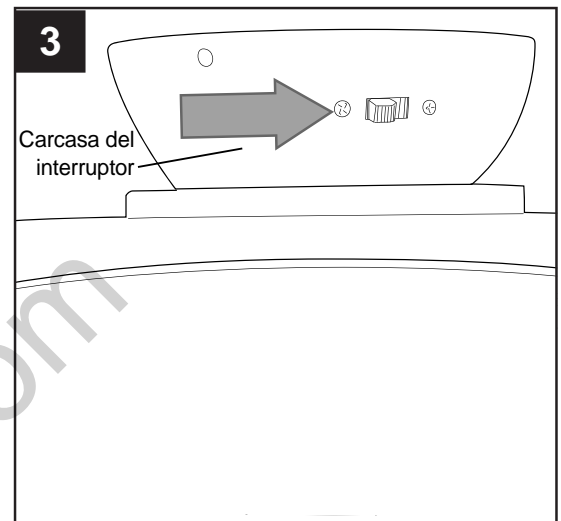
3. Utilice el interruptor de reversa del ventilador, ubicado en la carcasa del interruptor, para optimizar el rendimiento de su ventilador según la estación del año. Un ventilador de techo le permitirá elevar la configuración de su termostato en verano y disminuirla en invierno, sin sentir una diferencia en su comodidad.

NOTA: Espere a que el ventilador se detenga antes de mover el interruptor de reversa.

3A. En climas más **cálidos**, la configuración del interruptor de reversa a la **IZQUIERDA** creará un flujo de aire descendente que generará un efecto de viento refrescante.

3B. En climas más **fríos**, la configuración del interruptor de reversa a la **DERECHA** creará un flujo de aire ascendente que puede ayudar a mover el aire caliente estancado fuera del área del techo.

3C. **IMPORTANTE:** El interruptor de reversa se debe configurar ya sea **completamente a la DERECHA** o **completamente a la IZQUIERDA** para que funcione el ventilador. Si el interruptor de reversa se configura en la posición *central*, el ventilador no funcionará.



CUIDADO Y MANTENIMIENTO

Al menos dos veces al año, baje la base (B) para revisar en ensamble de la varilla (A) y luego apriete todos los tornillos en el ventilador. Limpie el ventilador solo con un cepillo suave o un paño que no produzca pelusas para evitar rayar el acabado. Limpie las aspas (J) con un paño que no produzca pelusas. De vez en cuando puede aplicar una fina capa de cera para muebles en las aspas de madera para darles más protección.

Importante: Antes de realizar cualquier trabajo de mantenimiento, desconecte el suministro de electricidad. No utilice agua ni un paño húmedo para limpiar el ventilador de techo.

SOLUCIÓN DE PROBLEMAS

⚠ Advertencia: Antes de comenzar cualquier trabajo, desconecte el suministro de electricidad para evitar descargas eléctricas.

PROBLEMA	CAUSA POSIBLE	ACCIÓN CORRECTIVA
El ventilador no se mueve.	<ol style="list-style-type: none"> 1. El interruptor de reversa no está activado. 2. No hay alimentación eléctrica o hay un fusible quemado. 3. La conexión de los cables es incorrecta. 4. Los enchufes no están conectados apropiadamente. 	<ol style="list-style-type: none"> 1. Mueva firmemente el interruptor hacia la izquierda o hacia la derecha. 2. Conecte la alimentación eléctrica o revise el fusible. 3. Desconecte la alimentación. Afloje la base y revise todas las conexiones. 4. Verifique que los enchufes macho y hembra en la carcasa del interruptor estén bien conectados de acuerdo con las instrucciones de la página 31.
El funcionamiento es ruidoso.	<ol style="list-style-type: none"> 1. Las aspas están sueltas. 2. Hay un aspa partida. 3. Se está utilizando un regulador de intensidad de rango completo. 4. El ventilador es nuevo. 	<ol style="list-style-type: none"> 1. Apriete todos los tornillos de las aspas. 2. Reemplace el aspa 3. Reemplace por un dispositivo de control de velocidad autorizado. 4. Permita que el ventilador tenga un período de asentamiento de un par de días, especialmente al encender el ventilador a velocidades media y alta.
Hay un tambaleo excesivo.	<ol style="list-style-type: none"> 1. Las aspas están sueltas. 2. Los brazos de las aspas no están fijados correctamente. 3. Las aspas no están equilibradas. 4. El ventilador no está bien montado. 5. El ventilador está demasiado cerca del techo de bóveda. 6. El(los) tornillo(s) de fijación en la horquilla de la carcasa del motor no está(n) bien apretado(s). 7. El tornillo de fijación en la bola para colgar no está bien apretado. 	<ol style="list-style-type: none"> 1. Apriete todos los tornillos de las aspas. 2. Vuelva a instalar los brazos de las aspas. 3. Intercambie un aspa con otra del lado opuesto. 4. Desconecte la alimentación. Afloje cuidadosamente la base y verifique que el soporte de montaje esté asegurada. 5. Utilice una varilla más larga o mueva el ventilador a otra ubicación. 6. Apriete firmemente el(los) tornillo(s) de fijación de la horquilla. 7. Afloje y baje cuidadosamente la base y verifique que el tornillo de fijación de la bola para colgar esté bien apretado.

SOLUCIÓN DE PROBLEMAS

PROBLEMA	CAUSA POSIBLE	ACCIÓN CORRECTIVA
El ventilador funciona pero la luz no.	<ol style="list-style-type: none">1. Los conductores de la base no están bien conectados.2. El interruptor de pared del ventilador está apagado.3. Los enchufes no están conectados apropiadamente.	<ol style="list-style-type: none">1. Revise los conductores de la base y si es necesario vuelva a conectarlos de acuerdo con las instrucciones de las páginas 28 y 29.2. Asegúrese de que el interruptor de pared del ventilador esté en la posición de encendido.3. Verifique que los enchufes macho y hembra en la carcasa del interruptor estén bien conectados de acuerdo con las instrucciones de la página 31.

Nota: Una pequeña cantidad de "tambaleo" es normal y no se debe considerar como un defecto.

GARANTÍA LIMITADA DE POR VIDA

El distribuidor garantiza que este ventilador no presenta defectos en la mano de obra ni en los materiales presentes al momento del transporte desde la fábrica durante un período limitado de por vida a partir de la fecha de compra. Esta garantía es válida solo para el comprador original. El distribuidor acepta reparar cualquier defecto sin cargo o, según nuestro criterio, reemplazar el ventilador de techo por un modelo comparable o superior.

Para obtener el servicio de garantía, presente una copia del recibo de venta como comprobante de la compra. Todos los costos de extracción y reinstalación son responsabilidad absoluta del comprador. Cualquier daño al ventilador de techo producido por accidente, uso indebido o instalación incorrecta, o por el uso de piezas no producidas por el fabricante de este ventilador o accesorios de fijación que no son del fabricante de este ventilador, será responsabilidad del comprador. El distribuidor no asume ningún tipo de responsabilidad por la instalación del ventilador durante la garantía limitada de por vida. Cualquier servicio realizado por una persona no autorizada invalidará la garantía.

Debido a las cambiantes condiciones climáticas, esta garantía no cubre cambios en el acabado de latón, óxido, picaduras, deslustre, corrosión o descascarado. Los ventiladores con acabado de latón mantienen su belleza cuando se les protege de las cambiantes condiciones climáticas. La garantía no cubre los elementos de vidrio incluidos con este ventilador.

Cualquier reemplazo de piezas defectuosas para el ventilador de techo debe informarse dentro del primer año a partir de la fecha de compra. Para conocer el saldo de la garantía, llame a nuestro Departamento de Servicio al cliente (al **1-800-643-0067**) para obtener la autorización para la devolución y las instrucciones de envío, de modo que podamos reparar o reemplazar el ventilador de techo. Un ventilador o piezas devueltas con un embalaje incorrecto son de responsabilidad única del comprador. No existe otro tipo de garantía explícita. El distribuidor rechaza cualquiera y todas las garantías implícitas. La duración de cualquier garantía implícita que no pueda rechazarse se limita al período limitado de por vida especificado en nuestra garantía. El distribuidor no se hará responsable por daños accidentales, resultantes ni especiales que surjan en relación con el uso o el funcionamiento del producto, excepto que la ley indique lo contrario. Esta garantía le otorga derechos legales específicos, pero podría tener también otros derechos que varían según el estado. Esta garantía sustituye cualquier garantía previa.



LISTA DE PIEZAS DE REPUESTO

Para obtener piezas de repuesto, llame a nuestro Departamento de Servicio al Cliente al **1-800-643-0067**, de lunes a jueves de 8 a.m. a 6 p.m., y los viernes de 8 a.m. a 5 p.m., hora estándar del Este.

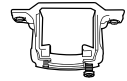
PIEZA	DESCRIPCIÓN	PIEZA #
A	Varilla	-A
B	Base	-B
C	Soporte de montaje	-C
D	Cubierta de la horquilla	-D
F	Placa de la carcasa del interruptor	-F
G	Cubierta de la base	-G
H	Pantalla de vidrio	-H
I	Brazo del aspa	-I
J	Aspa	-J
M	Placa del remate	-M
N	Remate	-N
O	Pasador	-O
P	Sujetador	-P
Q	Tornillo del motor	-Q
R	Arandela de seguridad	-R
S	Tornillo de montaje de la base	-S
T	Arandela roscada	-T
U	Tornillo de la carcasa del interruptor	-U
V	Tornillo de la placa de soporte	-V
AA	Tornillo para aspa	62325-AA
BB	Arandela del aspa de fibra	62325-BB



A



B



C



D



F



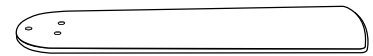
G



H



I



J



M



N



O



P



Q



R



S



T



U



V



AA



BB

Impreso en China

Harbor Breeze® es una marca registrada de LF, LLC.
Todos los derechos reservados.



Lowe.com/harborbreeze