



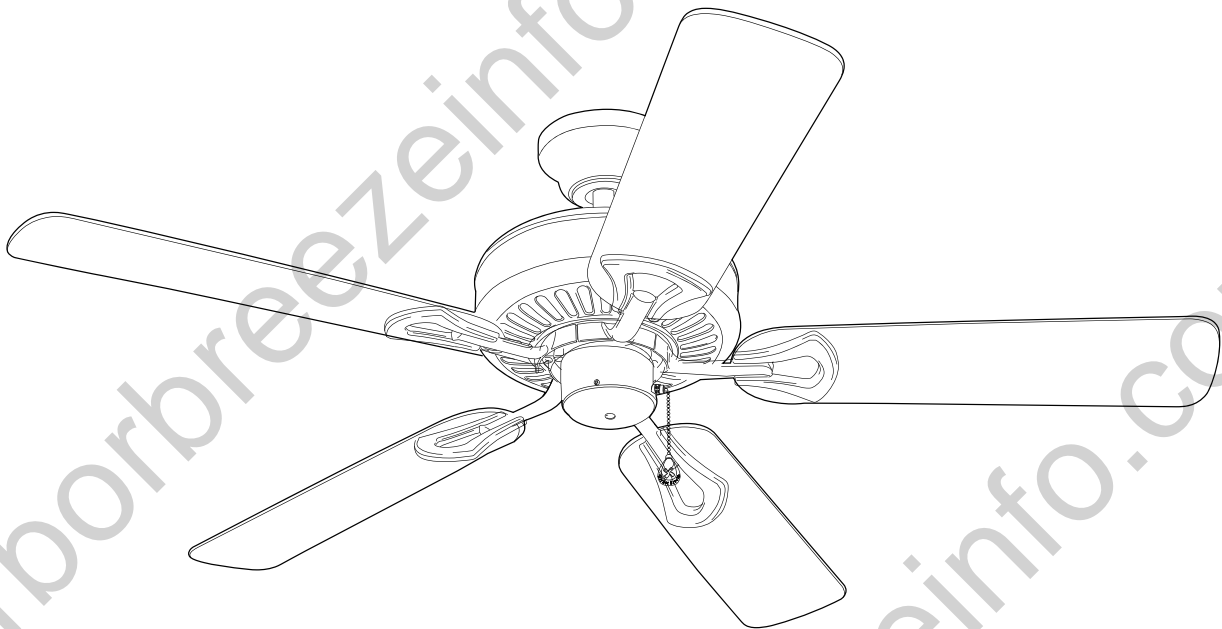
ITEM #0076888  
0077285  
0079837  
0080297

# CLASSIC STYLE CEILING FAN

Harbor Breeze® is a registered trademark of LF, LLC. All Rights Reserved.

MODEL #BDB52LW5N  
BDB52ABZC5N  
BDB52MBK5N  
BDB52BNK5N

Español p. 19



ATTACH YOUR RECEIPT HERE

Serial Number \_\_\_\_\_ Purchase Date \_\_\_\_\_



**Questions, problems, missing parts?** Before returning to your retailer, call our customer service department at **1-800-643-0067**, 8 a.m. - 6 p.m., EST, Monday - Thursday, 8 a.m. - 5 p.m., EST, Friday.

XXXXXX

Lowes.com/harborbreeze



## TABLE OF CONTENTS

---

Safety Information .....	2 - 3
Package Contents .....	4
Hardware Contents .....	5
Preparation .....	5
Initial Installation .....	6 - 7
Downrod Style Fan Mounting .....	7 - 9
Closemount Style Fan Mounting .....	9 - 10
Wiring .....	11 - 12
Final Installation .....	12 - 14
Operation Instructions .....	14 - 15
Care and Maintenance .....	15
Troubleshooting.....	16
Warranty .....	17
Replacement Parts List .....	18

## SAFETY INFORMATION

---

### READ AND SAVE THESE INSTRUCTIONS

Please read and understand this entire manual before attempting to assemble, install or operate the product.

- Do not discard fan carton or foam inserts. Should this fan need to be returned to the factory for repairs, it must be shipped in its original packaging to ensure proper protection against damage that might exceed the initial cause for return.
- Make sure that all electrical connections comply with local codes, ordinances, the National Electrical Code and ANSI/NFPA 70-1999. Hire a qualified electrician or consult a do-it-yourself wiring handbook (available at Lowe's) if you are unfamiliar with installing electrical wiring.
- Make sure the installation site you choose allows a minimum clearance of 7 feet from the blades to the floor and at least 30 in. from the end of the blades to any obstruction.
- After you install the fan, make sure that all connections are secure to prevent the fan from falling.
- The net weight of this fan including the light kit is: 15.87 lbs. (7.2 kg).





## SAFETY INFORMATION

### ⚠️ WARNINGS



To reduce the risk of fire, electrical shock, or personal injury, mount fan to outlet box marked "ACCEPTABLE FOR FAN SUPPORT OF 35 LB (15.9 KG) OR LESS" and use mounting screws provided with the outlet box. Most outlet boxes commonly used for the support of lighting fixtures are not acceptable for fan support and may need to be replaced. Consult a qualified electrician if in doubt.

When mounting fan to a ceiling outlet box, use a METAL octagonal outlet box. Secure the outlet box directly to the building structure. The outlet box and its support must be able to support the moving weight of the fan (at least 35 lb). Do NOT use a plastic outlet box.

To avoid personal injury, the use of gloves may be necessary while handling fan parts with sharp edges.

To reduce the risk of fire, electrical shock, or personal injury, wire connectors provided with this fan are designed to accept only one 12-gauge house wire and two lead wires from the fan. If your house wire is larger than 12-gauge or there is more than one house wire to connect to the two corresponding fan lead wires, consult an electrician for the proper size wire connectors to use.

**To reduce the risk of fire or electrical shock, do not use the fan with any solid state speed control device or control fan speed with a full range dimmer switch.**

To reduce the risk of fire, electrical shock, or personal injury, do not bend the blade arms when installing them, balancing the blades, or cleaning the fan. Do not insert objects between the rotating fan blades.

To reduce the risk of personal injury, use **only** parts provided with this fan. **The use of parts OTHER than those provided with this fan will void the warranty.**

### CAUTIONS

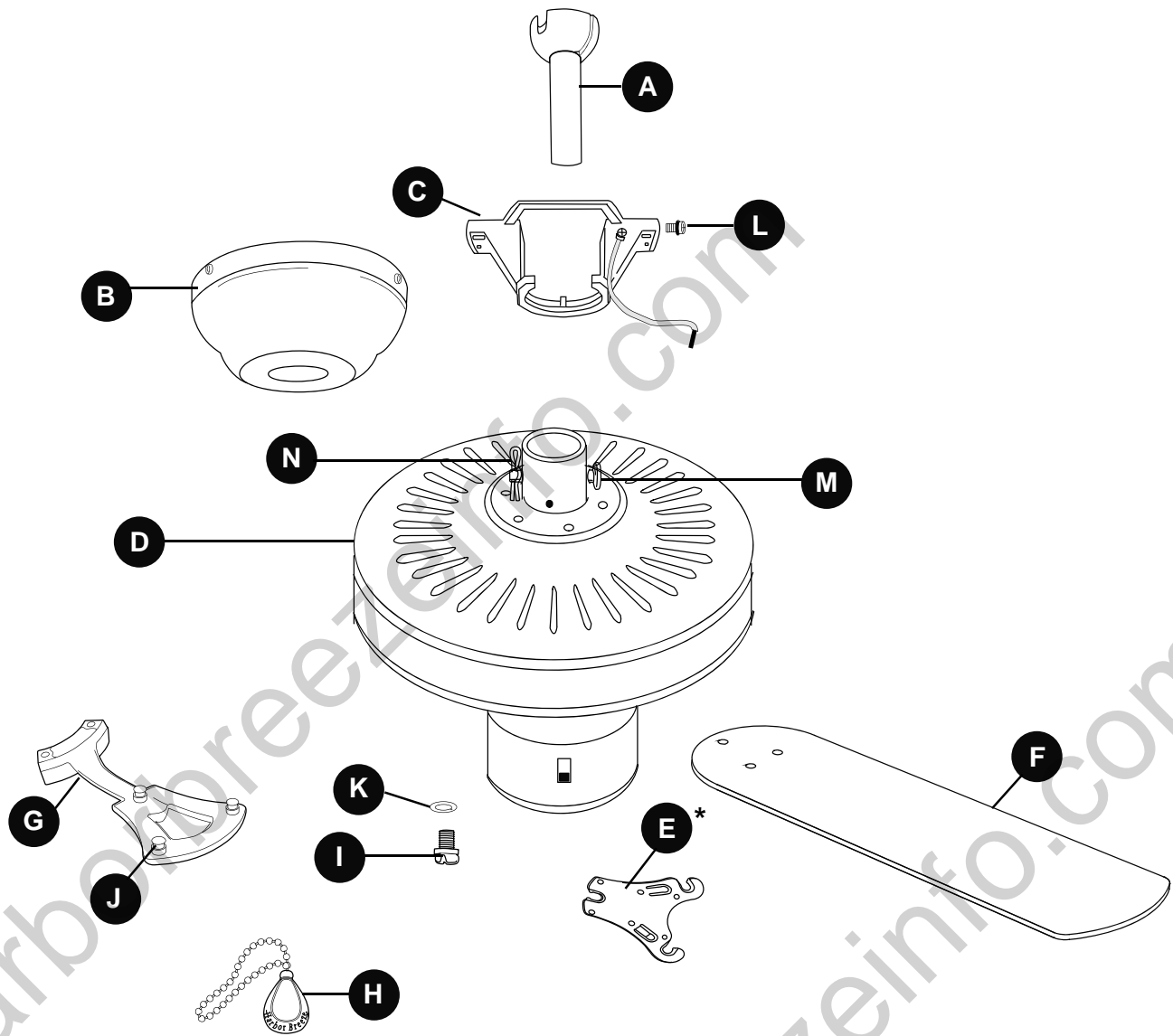
Before proceeding, be sure to shut off electricity at main switch or circuit breaker in order to avoid electrical shock.

Read all instructions and safety information before installing your new fan. Review the accompanying assembly diagrams.





## PACKAGE CONTENTS



PART	DESCRIPTION	QUANTITY
A	Downrod	1
B	Canopy	1
C	Mounting Bracket	1
D	Motor Housing	1
E*	Plastic Locking Mechanism	1
F	Blade	5
G	Blade Arm	5
H	Pull Chain Extension	2
I	Motor Screw (preassembled)	10

\* US Pat. No. 7351037

PART	DESCRIPTION	QUANTITY
J	Blade Screw (preassembled)	15
K	Lock Washer (preassembled)	10
L	Canopy Mounting Screw (preassembled)	4
M	Pin (preassembled)	1
N	Clip (preassembled)	1

**⚠ IMPORTANT REMINDER:** You must use the parts provided with this fan for proper installation and safety.

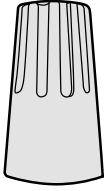




## HARDWARE CONTENTS (shown actual size)

---

AA



E3 Wire  
Connector

Qty. 4

## PREPARATION

---

Before beginning assembly of product, make sure all parts are present. Compare parts with “Package Contents” list and diagrams on the previous page. If any part is missing or damaged, do not attempt to assemble the product. Contact customer service for replacement parts.

**Estimated Assembly Time: 120 minutes**

Tools Required for Assembly (not included): Electrical Tape, Phillips Screwdriver, Pliers, Safety Glasses, Stepladder and Wire Strippers

Helpful Tools (not included): AC Tester Light, Tape Measure, Do-It-Yourself Wiring Handbook and Wire Cutters

**⚠ DANGER:** When using an existing outlet box, make sure the outlet box is securely attached to the building structure and can support the full weight of the fan. Failure to do this can result in serious injury or death. The stability of the outlet box is essential in minimizing wobble and noise in the fan after installation is complete.

**⚠ CAUTION:** Be sure outlet box is properly grounded and that a ground wire (green or bare) is present.

After opening top of carton, remove mounting hardware package from foam inserts. Remove motor from packing and place on carpet or on foam to avoid damage to finish.

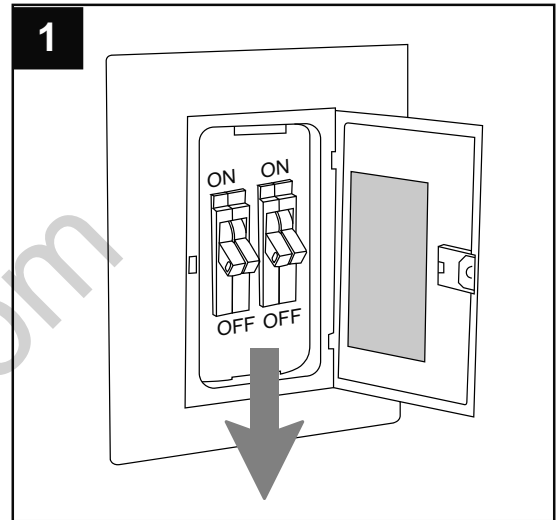
**⚠ CAUTION:** Carefully check all screws, bolts and nuts on fan motor assembly to ensure that they are secured.



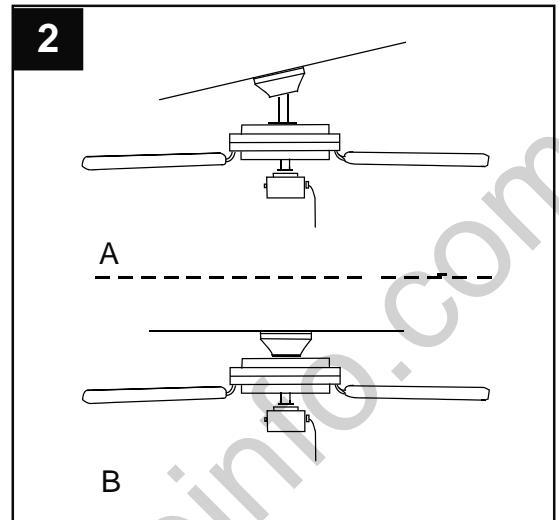
## INITIAL INSTALLATION

1. Turn off circuit breakers and wall switch to the fan supply line leads.

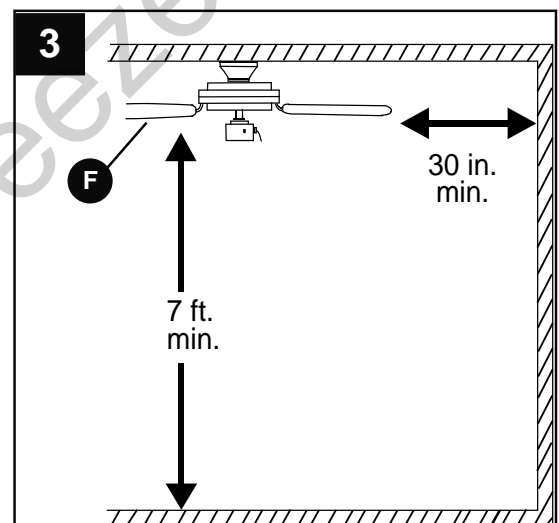
**⚠ DANGER:** Failure to disconnect power supply prior to installation may result in serious injury or death.



2. Determine mounting method to use.
  - A. Downrod mount (normal or angled ceiling)
  - B. Closemount (normal ceiling only)**IMPORTANT:** If using the angle mount, check to make sure the ceiling angle is not steeper than 19°.



3. Check to make sure blades (F) are at least 30 in. from any obstruction. Check downrod (A) length to ensure blades (F) are at least 7 ft. above the floor.

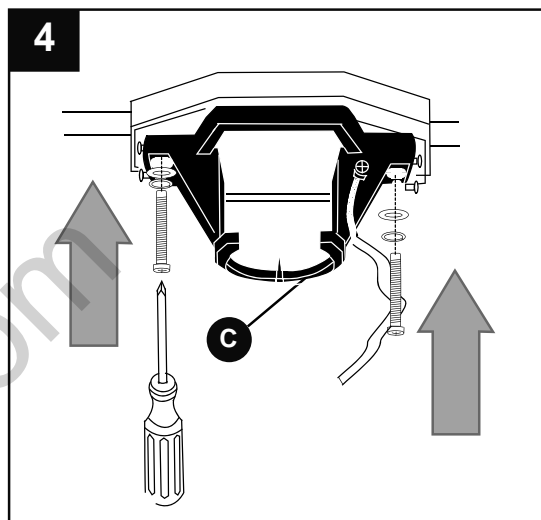


## INITIAL INSTALLATION

- Secure mounting bracket (C) to outlet box using screws, spring washers, and flat washers provided with the outlet box.

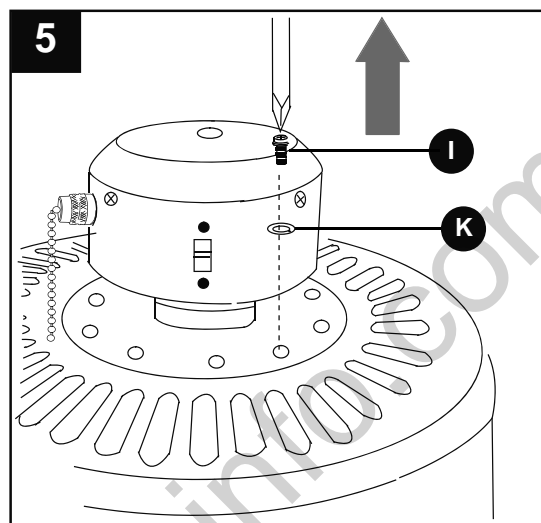
**\*NOTE:** It is very important that you use the proper hardware when installing the mounting bracket (C) as this will support the fan.

**IMPORTANT:** If using the angle mount, make sure open end of mounting bracket (C) is installed facing the higher point of the ceiling.



- Remove motor screws (I) and lock washers (K) from underside of motor. [If there are plastic motor blocks installed with the motor screws (I) and lock washers (K), discard the plastic motor blocks.]

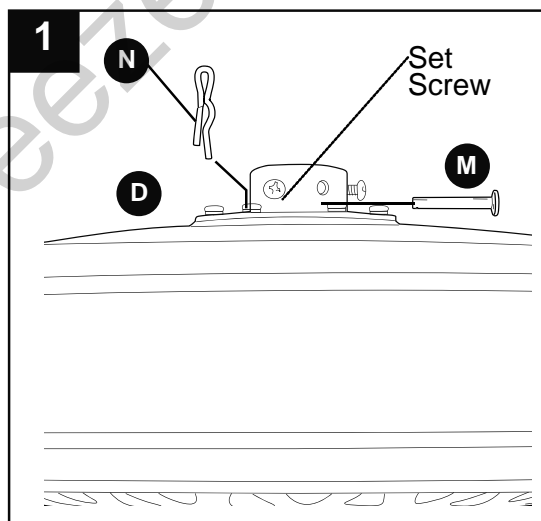
Follow mounting instructions on pages 7- 9 for “Downrod Style Fan Mounting” or proceed to pages 9 and 10 for “Closemount Style Fan Mounting”, depending on mounting method (A or B) chosen in Step 2 on previous page.



## DOWNROD STYLE FAN MOUNTING

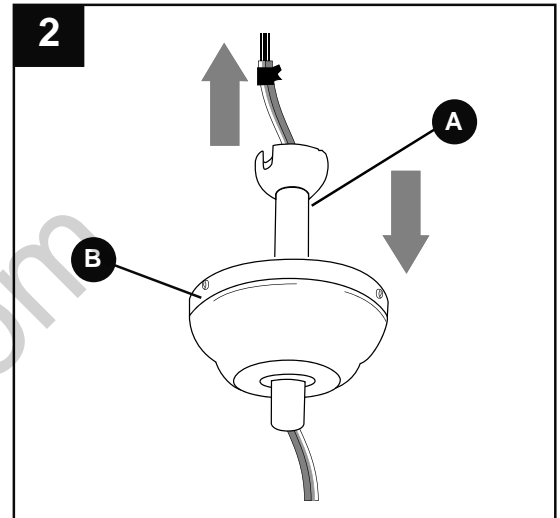
- Remove pin (M) and clip (N) from motor housing yoke at top of motor housing (D) and partially loosen set screws.

**\*Helpful Hint:** Downrod style mounting is best suited for ceilings 8 ft. (2.44 m) high or higher. For taller ceilings you may want to use a longer downrod (not included) than the one provided. Angle style mounting is best suited for angled or vaulted ceilings. A longer downrod is sometimes necessary to ensure proper blade clearance.

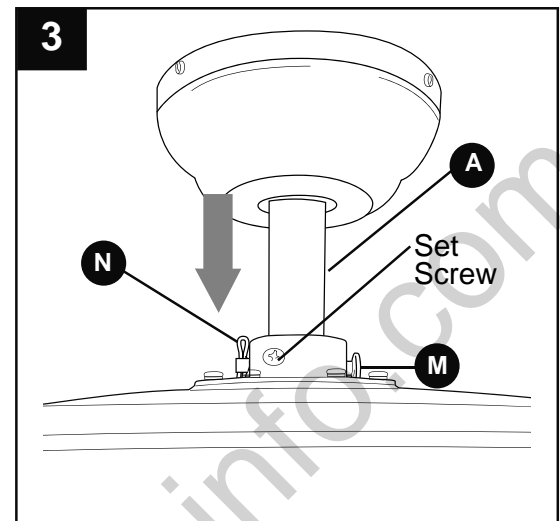


## DOWNROD STYLE FAN MOUNTING

2. Insert downrod (A) through canopy (B). Thread wires from motor housing (D) through downrod (A).



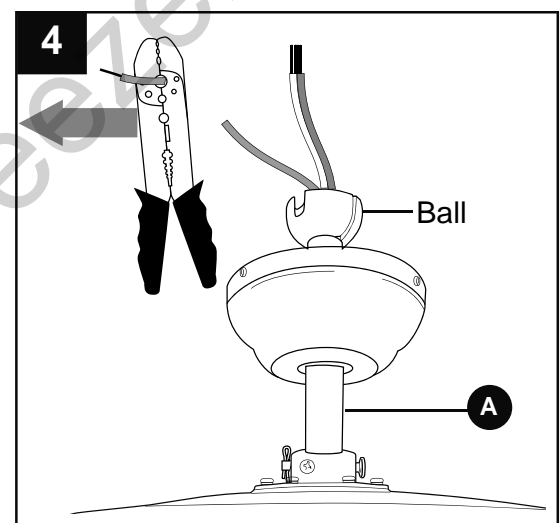
3. Slip downrod (A) into motor housing yoke, align holes and re-install pin (M) and clip (N). Re-tighten set screws in motor housing yoke and then tighten nuts.



4. Depending on the length of downrod (A) you use, you may need to cut the lead wires back to simplify the wiring. If you decide to cut back the lead wires, it is suggested that you do so in the following manner:

Take the lead wires and make sure that you have pulled them all the way through the top of the downrod (A). Start at the TOP of the ball on the downrod (A) and measure 8 in. of lead wire, and then cut the excess wire off with wire cutters (not included).

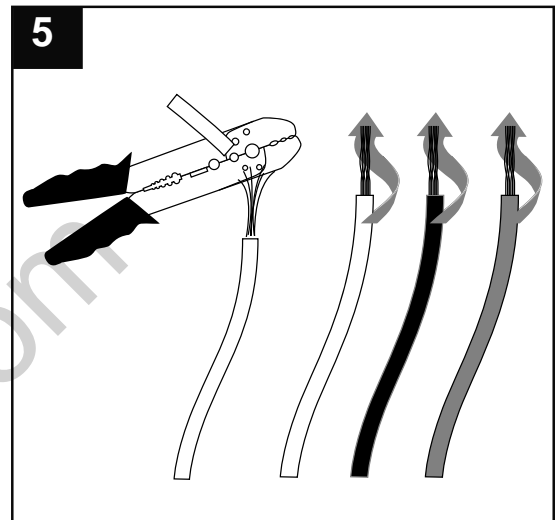
**NOTE:** If you do *not* cut back the lead wires, **Steps 4 and 5 are not necessary and you may proceed to Step 6 instead.**





## DOWNROD STYLE FAN MOUNTING

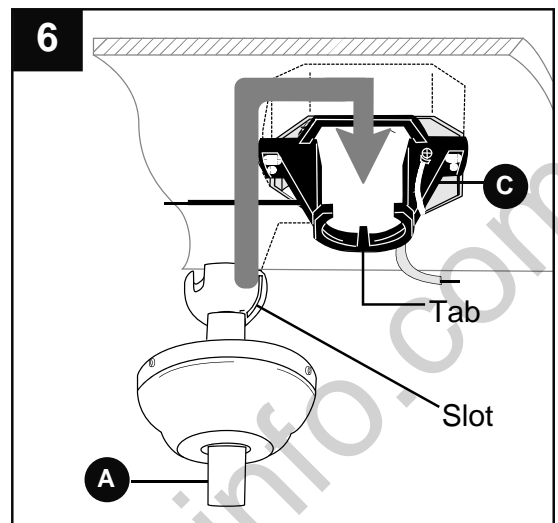
5. If you decided to cut back the lead wires in Step 4, strip 1/2 inch of insulation from end of white wire. Twist stripped ends of each strand of wire within the insulation with pliers (not included). Repeat Step 5 for black, blue (if applicable) and green wires.



6. Install ball end of downrod (A) into mounting bracket (C) opening. Align slot in ball with tab in mounting bracket (C).

**⚠ DANGER:** Failure to align slot in ball with tab in mounting bracket (C) may result in serious injury or death.

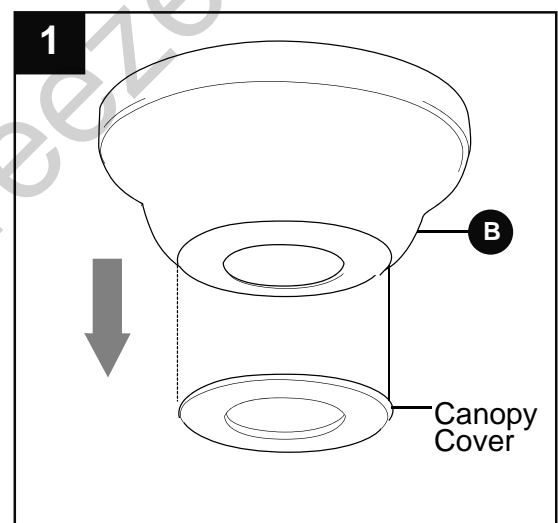
Continue to "Wiring" instructions on page 12.



## CLOSEMOUNT STYLE FAN MOUNTING

1. Remove canopy cover from bottom of canopy (B). **[NOTE:** It may be necessary to use the handle end of a screwdriver (not included) to remove the canopy cover by tapping on the canopy cover from the *inside* of the canopy (B).]

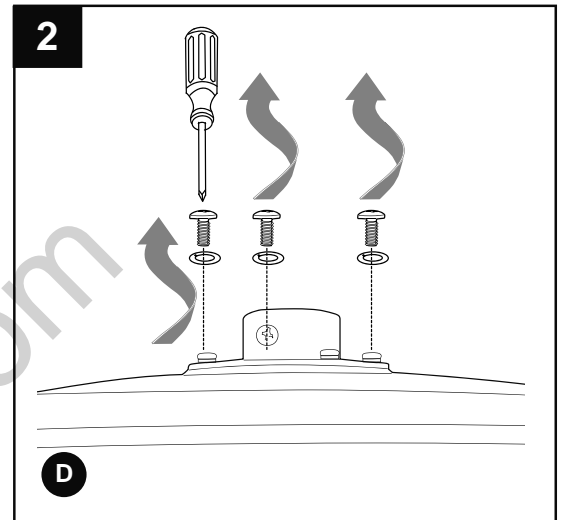
**\*Helpful Hint:** Closemount style mounting is more suitable for ceilings lower than 8 ft. (2.44 m) high. The downrod (A), hanging ball, and canopy cover are not used in this type of installation.



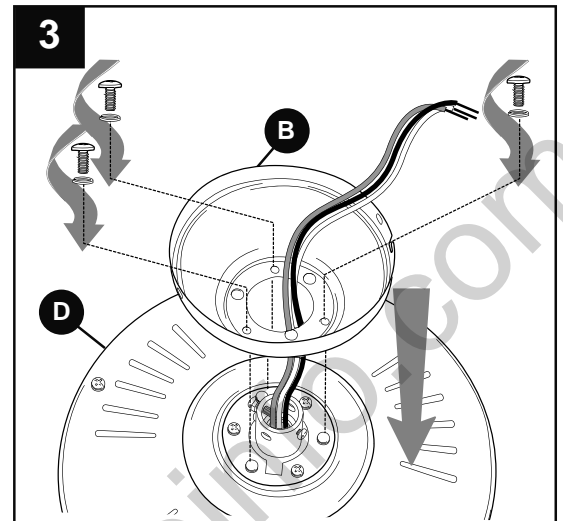
## CLOSEMOUNT STYLE FAN MOUNTING

2. If necessary, remove every other screw and lock washer from top of motor housing (D). (If there are only three screws and lock washers in top of motor housing (D), the other three screws and lock washers will be located in one of the hardware packs.) (Fig. 2)

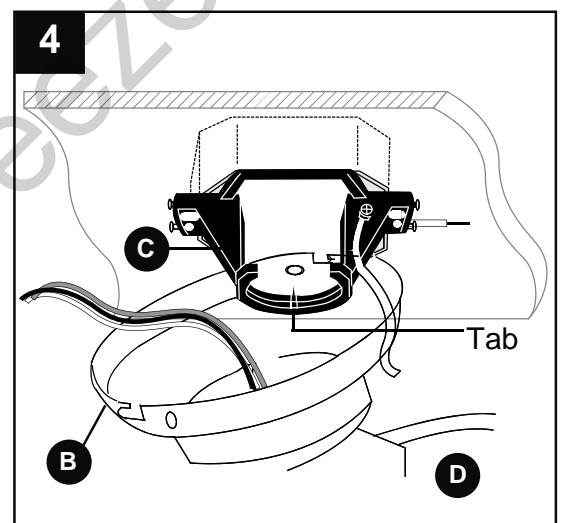
Remove pin (M), clip (N) and set screws from motor housing yoke.



3. Pull wires through hole in the middle of the canopy (B) and attach canopy (B) to motor housing (D) using the three screws and three lock washers referred to in Step 2 above.



4. Hang motor housing (D) on the tab on the mounting bracket (C) using one of the *non-slotted* holes in the canopy (B).



## WIRING

**⚠ WARNING:** To reduce the risk of fire, electrical shock, or personal injury, wire connectors provided with this fan are designed to accept only one 12-gauge house wire and two lead wires from the fan. If your house wire is larger than 12-gauge or there is more than one house wire to connect to the two fan lead wires, consult an electrician for the proper size wire connectors to use.

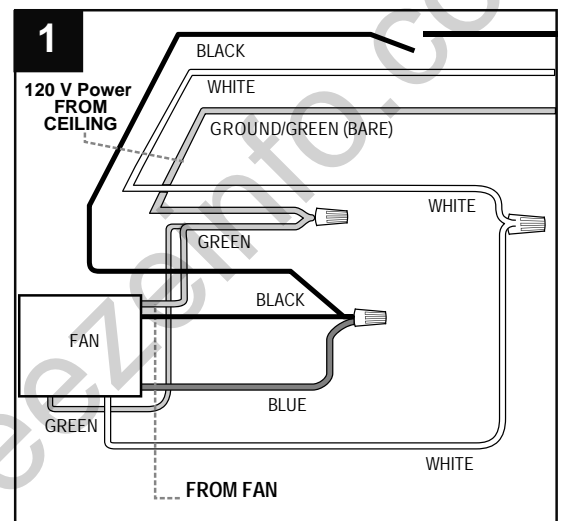
**⚠ CAUTION:** Be sure outlet box is properly grounded and that a ground (green or bare) wire is present.

**⚠ WARNING:** If house wires are different colors than referred to in the following steps, stop immediately. A professional electrician is recommended to determine wiring.

1. For each wire connection below, use one of the wire connectors (AA) provided, making sure to screw wire connector (AA) on in a clockwise direction.

Connect **BLACK** and **BLUE** wire from fan to **BLACK** wire from ceiling. Connect **WHITE** wire from fan to **WHITE** wire from ceiling. Connect all **GROUND (GREEN)** wires together from fan (on downrod (A) and mounting bracket (C)) to **BARE/GREEN** wire from ceiling. (Fig. 1)

**NOTE:** Black wire is hot power for fan. Blue wire is hot power for light kit. White wire is common for fan and light kit. Green or bare wire is ground.



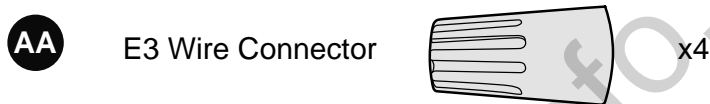
## WIRING

2. Wrap electrical tape (not included) around each individual wire connector (AA) down to the wire.

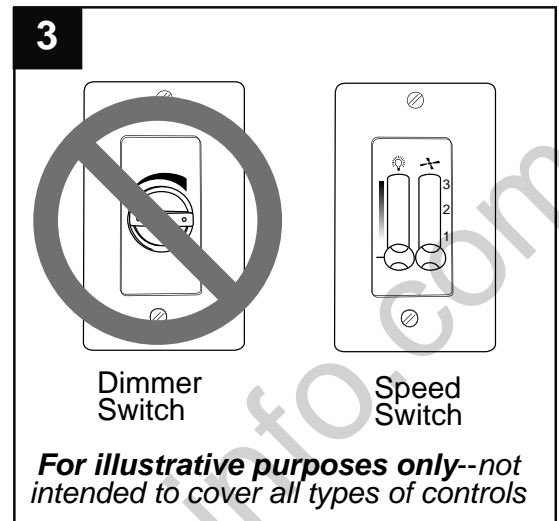
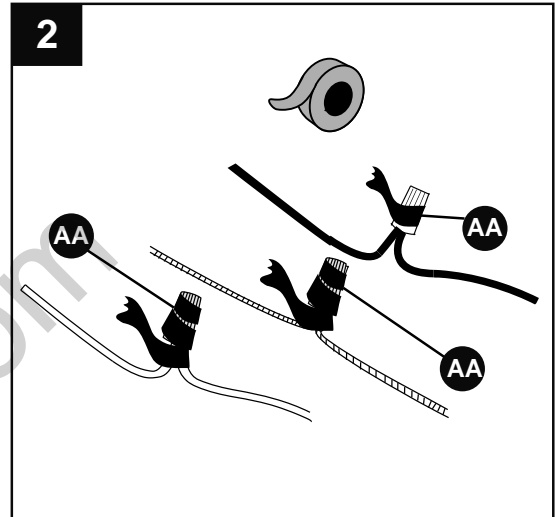
**⚠ WARNING:** Make sure no bare wire or wire strands are visible after making connections. Place green and white connections on opposite side of box from the black and blue (if applicable) connections.

Turn spliced/taped wires upward and gently push wires and wire connectors (AA) into outlet box.

### Hardware Used

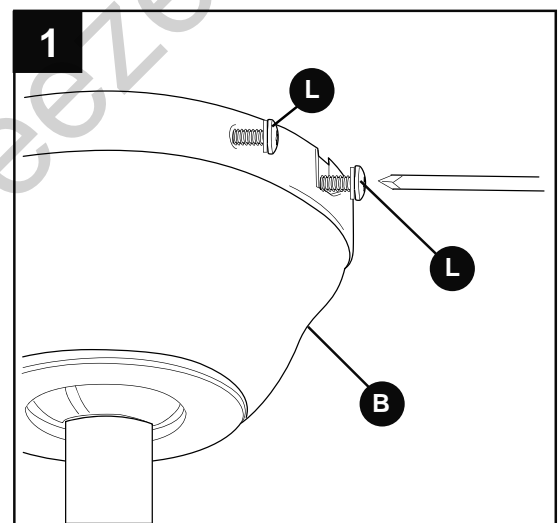


3. **IMPORTANT:** Using a full range dimmer switch (not included) to control fan speed will cause a loud humming noise from fan. To reduce the risk of fire or electrical shock, do NOT use a full range dimmer switch to control fan speed.



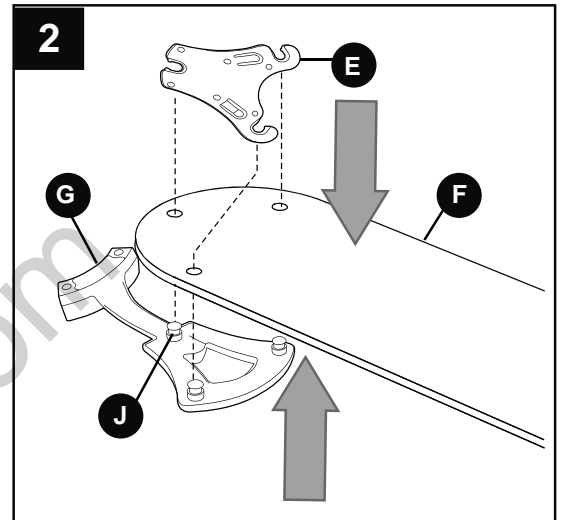
## FINAL INSTALLATION

1. Temporarily lift canopy (B) to mounting bracket (C) to determine which two canopy mounting screws (L) in mounting bracket (C) align with slotted holes in canopy (B) and partially loosen these two canopy mounting screws (L). Remove the other two canopy mounting screws (L). Now, lift canopy (B) to mounting bracket (C) again, aligning slotted holes in canopy (B) with loosened canopy mounting screws (L) in mounting bracket (C). Twist canopy (B) to lock. Re-insert the two canopy mounting screws (L) that were just removed and tighten all canopy mounting screws (L) securely.



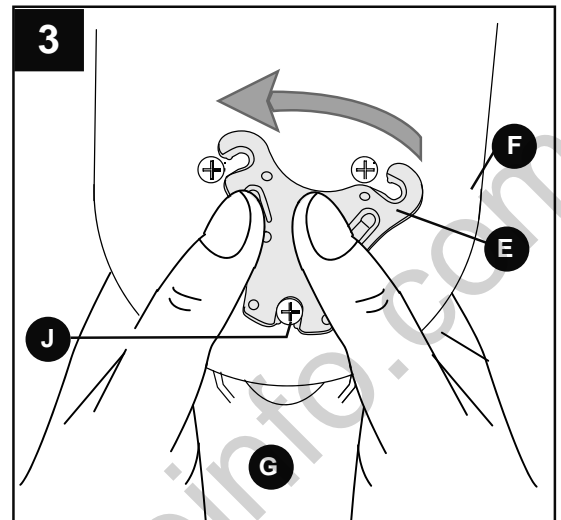
## FINAL INSTALLATION

- Align the three blade screws (J), pre-installed on the blade arm (G), with the three holes in the blade (F). Press up on the blade arm (G) firmly so that the blade screws (J) come through the holes in the blade (F). *Be careful not to use so much force that the blade arm (G) bends.* Repeat for each blade arm (G).



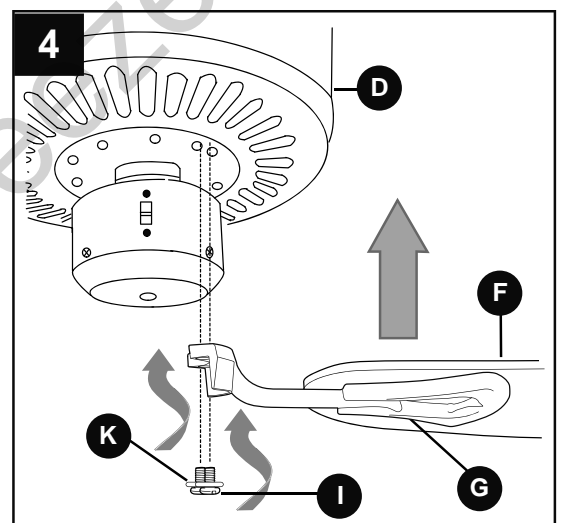
- Place the plastic locking mechanism (E) on the opposite side of the blade (F) as the blade arm (G), refer to Fig. 2, with the *narrower* end of the plastic locking mechanism (E) toward the end of the blade (F) and against the blade screw (J) as shown in Fig. 3. [Please note the side of the plastic locking mechanism (E) indicating *THIS SIDE UP*.] Rotate plastic locking mechanism (E) to the left (counterclockwise) to lock plastic locking mechanism (E) into place.

Repeat Step 3 for each blade (F).



- Locate motor screws (I) and lock washers (K) that were removed in Step 5 on page 8.

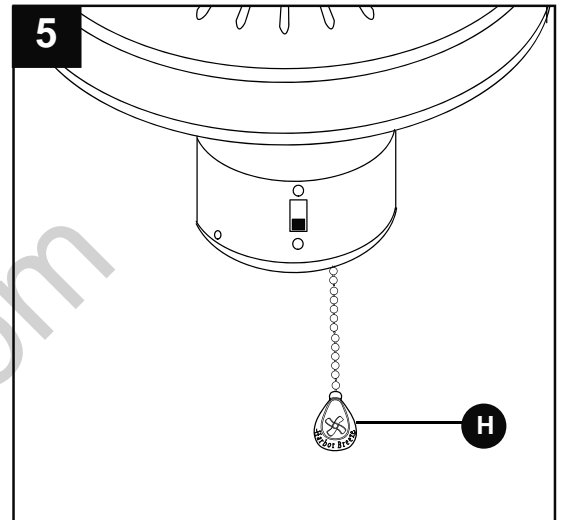
Insert two motor screws (I), along with lock washers (K), through one blade arm (G) to attach blade arm (G) to motor. Tighten motor screws (I) securely. Repeat with remaining blade arms (G), making sure to completely secure each blade arm (G) before proceeding with the next.



## FINAL INSTALLATION

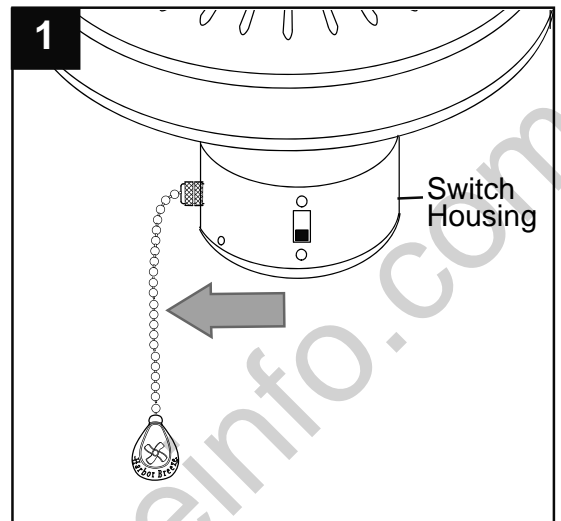
5. The pull chain extension (H) supplied in one of the hardware packs or a custom pull chain extension (not included) may be attached to fan pull chain.

**NOTE:** This fan is remote control adaptable (remote control not included).



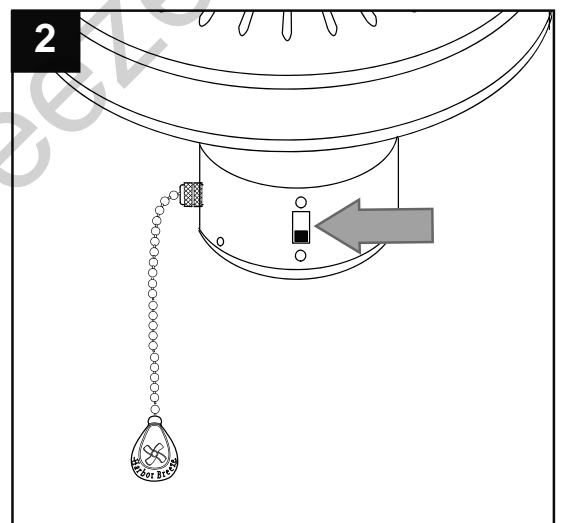
## OPERATION INSTRUCTIONS

1. The pull chain located on the switch housing has four positions to control fan speed. One pull is HIGH, two is MEDIUM, three is LOW and four turns the fan OFF.



2. Use the fan reverse switch, located on the switch housing, to optimize your fan for seasonal performance. A ceiling fan will allow you to raise your thermostat setting in summer and lower your thermostat setting in winter without feeling a difference in your comfort.

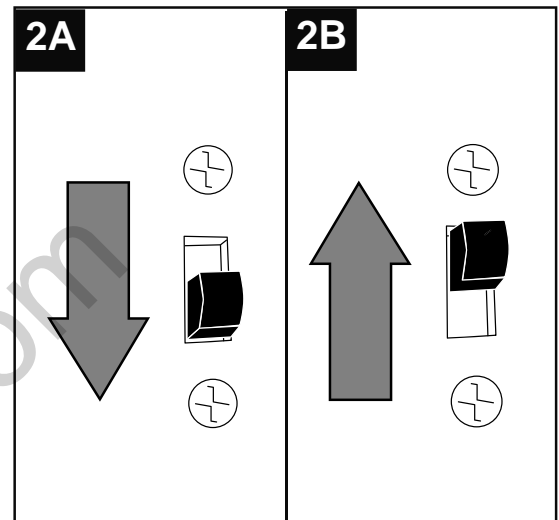
**NOTE:** Wait for fan to stop before moving the reverse switch.



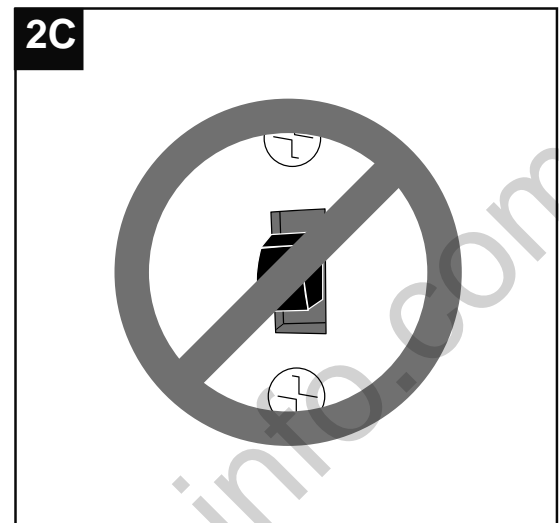
## OPERATION INSTRUCTIONS

2A. In **warmer** weather, setting the reverse switch in the DOWN position will result in downward airflow creating a wind chill effect. (Fig. 2A)

2B. In **cooler** weather, setting the reverse switch in the UP position will result in upward airflow that can help move stagnant, hot air off the ceiling area. (Fig. 2B)



2C. **IMPORTANT:** Reverse switch must be set either **completely UP** or **completely DOWN** for fan to function. If the reverse switch is set in the **middle** position (Fig. 2C), fan will not operate.



**NOTE:** In the last approved version of this manual, these steps were labeled 3A, 3B and 3C. Do you want to revert to that or was it intended to renumber these as 2?

## CARE AND MAINTENANCE

At least twice each year, lower canopy (B) to check downrod (A) assembly, and then tighten all screws on the fan. Clean motor housing (D) with only a soft brush or lint-free cloth to avoid scratching the finish. Clean blades (G) with a lint-free cloth. You may occasionally apply a light coat of furniture polish to wood blades for added protection.

**Important:** Shut off main power supply before beginning any maintenance. Do not use water or a damp cloth to clean the ceiling fan.

## TROUBLESHOOTING

**⚠ WARNING:** Before beginning work, shut off the power supply to avoid electrical shock.

PROBLEM	POSSIBLE CAUSE	CORRECTIVE ACTION
Fan does not move.	<ol style="list-style-type: none"> <li>Reverse switch not engaged.</li> <li>Power is off or fuse is blown.</li> <li>Faulty wire connection.</li> </ol>	<ol style="list-style-type: none"> <li>Push switch firmly either up or down.</li> <li>Turn power on or check fuse.</li> <li>Turn power off. Loosen canopy (B) and check all connections.</li> </ol>
Noisy operation.	<ol style="list-style-type: none"> <li>Blades (F) are loose.</li> <li>Cracked blade (F).</li> <li>Full range dimmer switch.</li> <li>Fan is new.</li> </ol>	<ol style="list-style-type: none"> <li>Check to be sure plastic locking mechanisms (E) are secure.</li> <li>Replace blade (F).</li> <li>Replace with an approved speed control device.</li> <li>Allow fan a "break in" period of a few days, especially when running the fan at Medium and High speeds.</li> </ol>
Excessive wobbling.	<ol style="list-style-type: none"> <li>Blades (F) are loose.</li> <li>Blade arms (G) incorrectly attached.</li> <li>Unbalanced blades (F).</li> <li>Fan not securely mounted.</li> <li>Fan too close to vaulted ceiling.</li> <li>Set screw(s) on motor housing yoke is (are) not tightened properly.</li> <li>Set screw on hanging ball is not tightened properly.</li> </ol>	<ol style="list-style-type: none"> <li>Check to be sure plastic locking mechanisms (E) are secure.</li> <li>Re-install blade arms (G).</li> <li>Switch one blade (F) with a blade (F) from the opposite side.</li> <li>Turn power off. Carefully loosen canopy (B) and verify that mounting bracket (C) is secure.</li> <li>Use a longer downrod (A) or move fan to another location.</li> <li>Tighten yoke set screw(s) securely.</li> <li>Carefully loosen and lower canopy (B) and verify that set screw on hanging ball is tightened securely.</li> </ol>

**NOTE:** A small amount of "wobble" is normal and should not be considered a defect.





## **WARRANTY**

---

**LIMITED LIFETIME WARRANTY:** The distributor warrants this fan to be free from defects in workmanship and materials present at time of shipment from the factory for Lifetime limited from the date of purchase. This warranty applies only to the original purchaser. The distributor agrees to correct any defect at no charge or, at our option, replace the ceiling fan with a comparable or superior model.

To obtain warranty service, present a copy of your sales receipt as proof of purchase. All cost of removal and reinstallation are the express responsibility of the purchaser. Any damage to the ceiling fan by accident, misuse or improper installation, or by using parts not produced by the manufacturer of this fan or affixing accessories not produced by the manufacturer of this fan, are the purchaser's own responsibility. The distributor assumes no responsibility whatsoever for fan installation during the limited lifetime warranty. Any service performed by an unauthorized person will render the warranty invalid.

Due to varying climatic conditions, this warranty does not cover changes in brass finish, rusting, pitting, tarnishing, corroding or peeling. Brass finish fans maintain their beauty when protected from varying weather conditions. Any glass provided with this fan is not covered by the warranty.

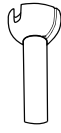
Any replacement of defective parts for the ceiling fan must be reported within the first year from the date of purchase. For the balance of the warranty, call our customer service department (at **1-800-527-1292**) for return authorization and shipping instructions so that we may repair or replace the ceiling fan. Any fan or parts returned improperly packaged is/are the sole responsibility of the purchaser. There is no further express warranty. The distributor disclaims any and all implied warranties. The duration of any implied warranty which cannot be disclaimed is limited to the limited lifetime period as specified in our warranty. The distributor shall not be liable for incidental, consequential or special damages arising at or in connection with product use or performance except as may otherwise be accorded by law. This warranty gives you specific legal rights and you may also have other rights which vary from state to state. This warranty supersedes all prior warranties.



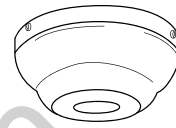
## REPLACEMENT PARTS LIST

For replacement parts, call our customer service department at **1-800-643-0067**, 8 a.m. - 6 p.m., EST, Monday - Thursday, 8 a.m. - 5 p.m., EST, Friday.

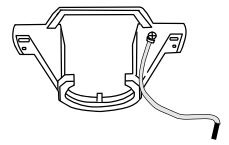
PART	DESCRIPTION
A	Downrod
B	Canopy
C	Mounting Bracket
E	Plastic Locking Mechanism
F	Blade
G & J	Blade Arm and Blade Screw
H	Pull Chain Extension
I	Motor Screw
K	Lock Washer
L	Canopy Mounting Screw
M	Pin
N	Clip
AA	E3 Wire Connector



A



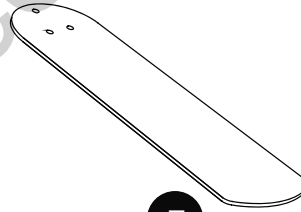
B



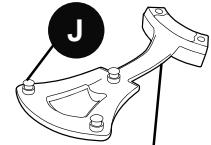
C



E



F



G



H



I



K



L



M



N



AA

Printed in China

LI1205

Harbor Breeze® is a registered trademark of LF, LLC. All Rights Reserved.



Lowe's.com/harborbreeze