



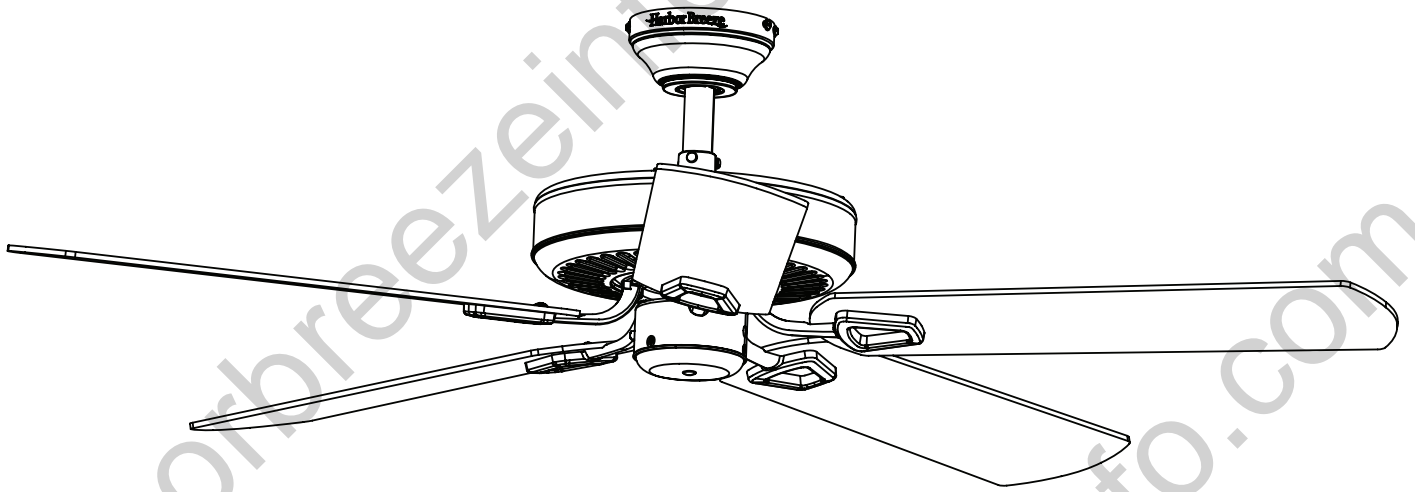
Harbor Breeze® is a registered trademark of LF, LLC. All Rights Reserved.

ITEM #0593748

BUILDER'S SERIES CEILING FAN

MODEL #40698

Español p. 20



ATTACH YOUR RECEIPT HERE

Serial Number _____

Purchase Date _____



Questions, problems, missing parts? Before returning to your retailer, call our customer service department at 1-800-643-0067, 8 a.m. - 6 p.m., EST, Monday - Thursday, 8 a.m. - 5 p.m., EST, Friday.

EB14180

Lowes.com/harborbreeze

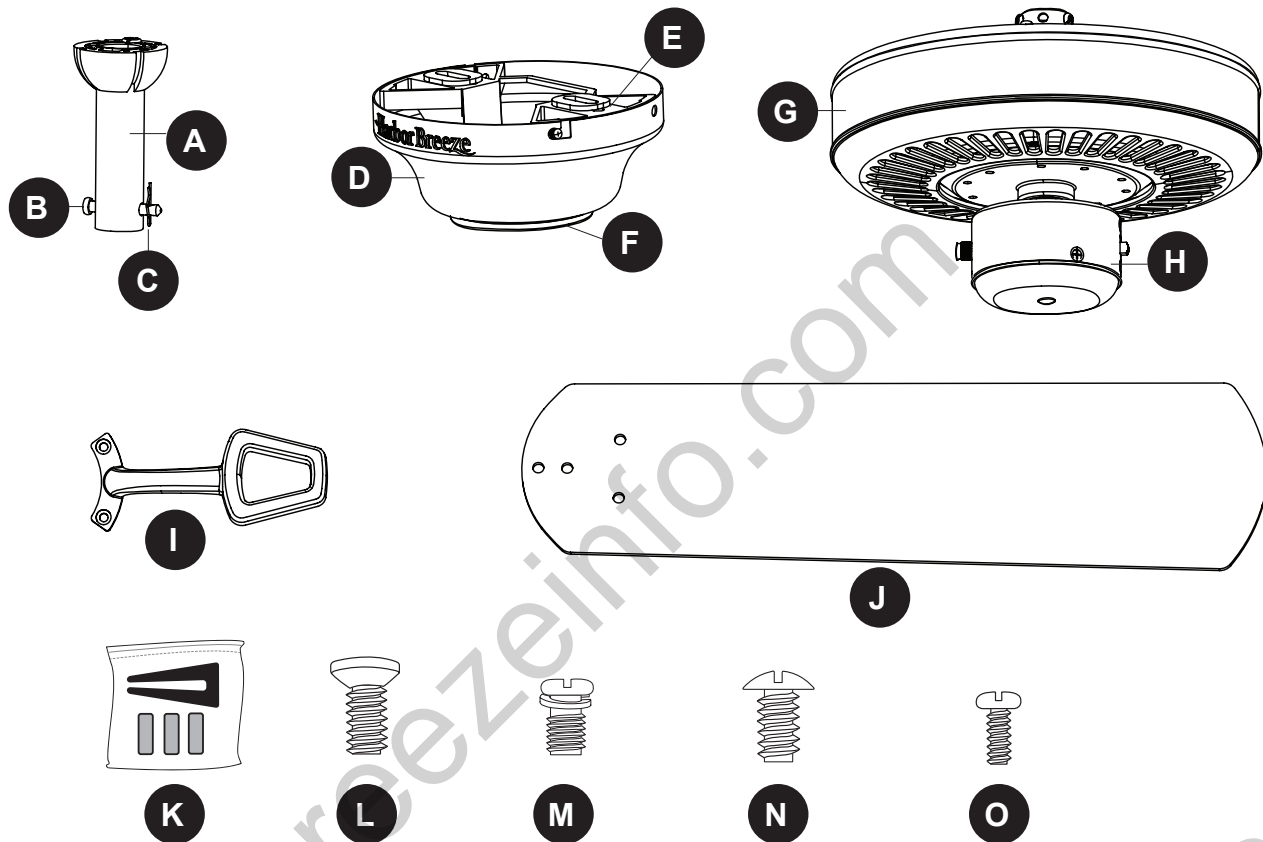


TABLE OF CONTENTS

| | |
|--|----|
| Package Contents | 3 |
| Hardware Contents | 4 |
| Safety Information | 5 |
| Preparation | 6 |
| Initial Installation | 7 |
| Standard or Angle Mounting Instructions. | 9 |
| Closemount Instructions | 11 |
| Wiring | 12 |
| Final Installation. | 13 |
| Operating Instructions | 15 |
| Care and Maintenance | 16 |
| Troubleshooting. | 16 |
| Limited Lifetime Warranty | 18 |
| Replacement Parts List | 19 |



PACKAGE CONTENTS



| PART | DESCRIPTION | QUANTITY |
|------|---|--------------|
| A | Downrod | 1 |
| B | Downrod Pin (preassembled to the Downrod (A)) | 1 |
| C | Downrod Clip (preassembled to the Downrod (A)) | 1 |
| D | Canopy | 1 |
| E | Mounting Bracket (preassembled to the Canopy (D)) | 1 |
| F | Canopy Cover (preassembled to the Canopy (D)) | 1 |
| G | Motor Assembly | 1 |
| H | Switch Housing (preassembled to the Motor Assembly (G)) | 1 |
| I | Blade Arm | 5 |
| J | Blade | 5 |
| K | Blade Balance Kit | 1 |
| L | Motor Screw (preassembled to the Motor Assembly (G)) | 10 + 1 extra |
| M | Phillips-Head Closemount Screw (preassembled to the Motor Assembly (G)) | 3 |
| N | Mounting Bracket Screw (preassembled to the Mounting Bracket (E)) | 4 |
| O | Set Screw (preassembled to the Motor Assembly (G)) | 2 |

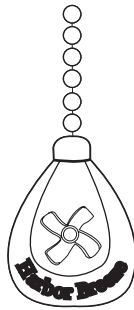
HARDWARE CONTENTS (shown actual size)

AA



Wire Connector
Qty. 3
+ 1 extra

BB



Pull Chain
Extension
Qty. 1

CC



Blade Screw
Qty. 5
+ 1 extra

DD




Blade Washer
Qty. 5
+ 1 extra


harborbreezeinfo.com


SAFETY INFORMATION


Please read and understand this entire manual before attempting to assemble, operate or install the product.


- Before you begin installing the fan, disconnect the power by removing fuses or turning off the circuit breakers.
- Make sure all electrical connections comply with local codes, ordinances, the National Electrical Code and ANSI/NFPA 70-199. Hire a qualified electrician or consult a do-it-yourself wiring handbook if you are unfamiliar with installing electrical wiring.
- Make sure the installation site you choose allows a minimum clearance of 7 ft. from the blades to the floor and at least 30 in. from the end of the blades to any obstruction.
- The net weight of this fan is: 13.86 lbs.


 **DANGER:** When using an existing outlet box, make sure the outlet box is securely attached to the building structure and can support the full weight of the fan. Failure to do this can result in serious injury or death. The stability of the outlet box is essential in minimizing wobble and noise in the fan after installation is complete.


 **WARNING:** To avoid personal injury, the use of gloves may be necessary while handling fan parts with sharp edges.

 **WARNING:** To reduce the risk of fire, electric shock or personal injury, mount the fan to an outlet box marked "ACCEPTABLE FOR FAN SUPPORT" and use the mounting screws provided with the outlet box. Most outlet boxes commonly used for the support of lighting fixtures are not acceptable for fan support and may need to be replaced. Consult a qualified electrician if in doubt. Secure the outlet box directly to the building structure. The outlet box and its support must be able to support the moving weight of the fan (at least 35 lbs.).

 **WARNING:** To reduce the risk of fire, electrical shock or personal injury, wire connectors provided with this fan are designed to accept only one 12-gauge house wire and two lead wires from the fan. If your house wire is larger than 12 gauges and/or there is more than one house wire to connect to the two fan lead wires, consult an electrician for the proper size wire connectors to use.

 **WARNING:** To reduce the risk of fire or electric shock, do not use the fan with any solid-state speed-control device or control the fan speed with a full-range dimmer switch.

 **WARNING:** To reduce the risk of fire, electric shock or personal injury, do not bend the blade arms when installing them, balancing the blades or cleaning the fan. Do not insert objects between the rotating fan blades.

 **WARNING:** To reduce the risk of personal injury, use only parts provided with this fan. The use of parts OTHER than those provided with this fan will void the warranty.



SAFETY INFORMATION

CAUTION: Read all instructions and safety information before installing your new fan. Review the accompanying assembly diagrams.

CAUTION: Be sure the outlet box is properly grounded or that a ground (green or bare) wire is present.

CAUTION: Carefully check all screws, bolts and nuts on the fan motor assembly to ensure that they are secured.

PREPARATION

Before beginning the assembly of this product, ensure that all parts are present. Compare all parts with the package contents list and hardware contents list. If any part is missing or damaged, do not attempt to assemble the product.

After opening the top of the carton, remove the mounting hardware package from the foam inserts, then remove the motor from the packaging and place it on a soft surface, such as a carpet, to avoid damage to the finish.

Estimated Assembly Time: 120 minutes

Tools Required for Assembly (not included): Step Ladder, Wire Strippers, Wire Cutters, Phillips Screwdriver, Pliers, Safety Glasses and Electrical Tape

Helpful Tools (not included): AC Tester Light, Tape Measure and Wiring Handbook

INITIAL INSTALLATION

1. Turn off the circuit breakers and the wall switch to the fan supply line leads.

⚠ DANGER: Failure to disconnect the power supply prior to installation may result in serious injury or death.

2. Determine the mounting method to use.

Helpful Hint: Standard mounting is best suited for ceilings 8 ft. or higher. For taller ceilings you may want to use a longer downrod (not included).

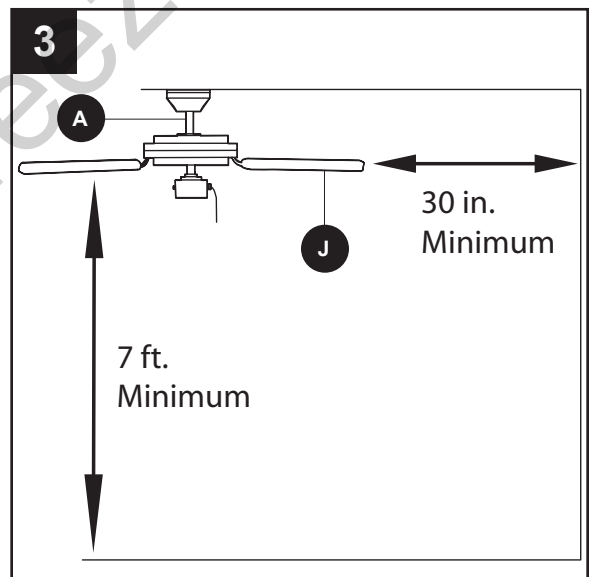
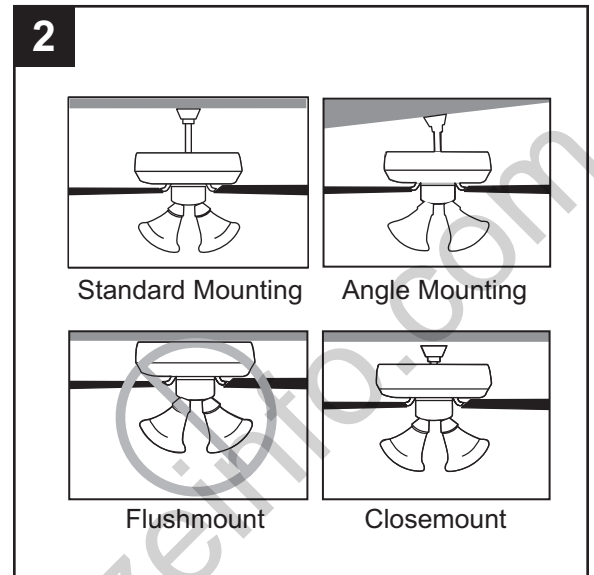
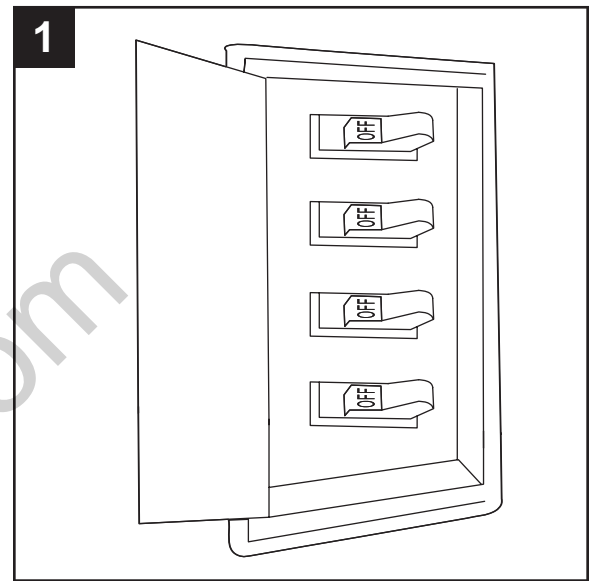
Closemount-style mounting is more suitable for ceilings lower than 8 ft. high.

Flushmount installation is not available for this item.

Angle-style mounting is best suited for angled or vaulted ceilings. A longer downrod is sometimes necessary to ensure proper blade clearance.

Important: If using the angle mount, check to ensure the ceiling angle is not steeper than 16°.

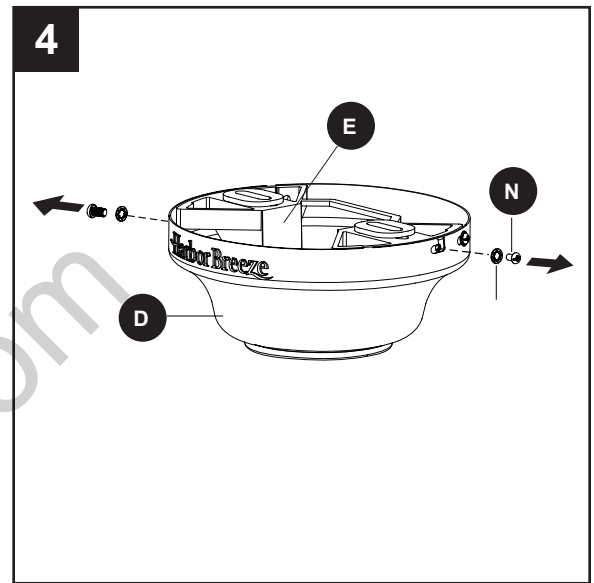
3. Ensure the blades (J) will be at least 30 in. from any obstructions. Also check the downrod (A) length to ensure the blades (J) will be at least 7 ft. above the floor.



INITIAL INSTALLATION

- Loosen all four mounting bracket screws (N), then completely remove the two mounting bracket screws (N) from the round holes of canopy (D). Set aside for later use.

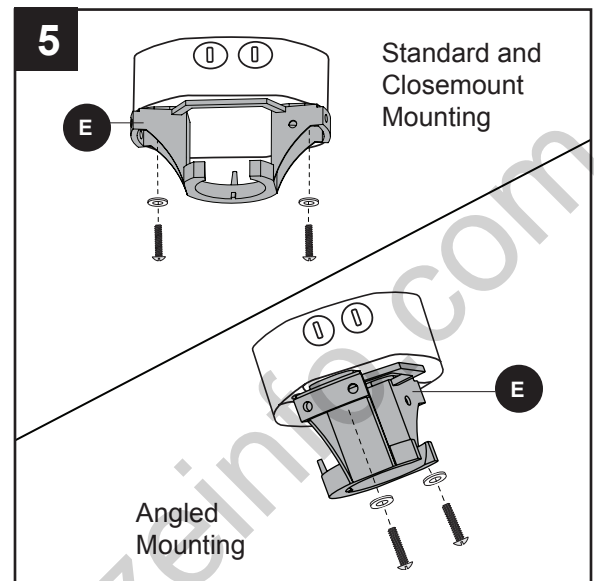
Detach mounting bracket (E) from canopy (D).



- Attach mounting bracket (E) to outlet box (not included) using screws and washers provided with the outlet box.

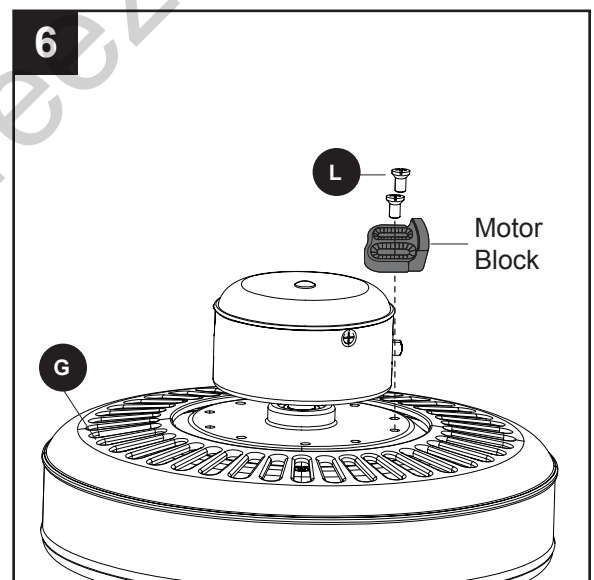
CAUTION: It is very important you use the proper hardware when installing the mounting bracket (E) as it will support the fan.

Important: If using the angle mount, ensure the open end of the mounting bracket (E) is installed facing the higher point of the ceiling.



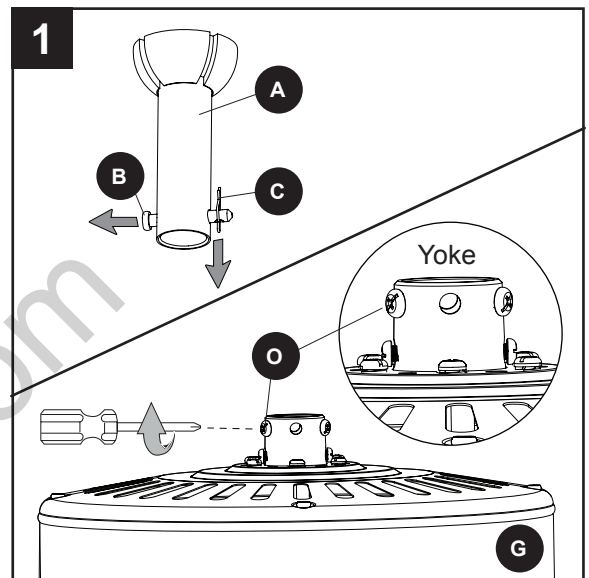
- Remove the ten preassembled motor screws (L) and five preassembled motor blocks from the underside of the motor assembly (G). Discard the motor blocks but save the motor screws (L) for later.

For **Standard or Angle Mounting Instructions**, continue to page 9. For **Closemount Instructions**, proceed to page 11.

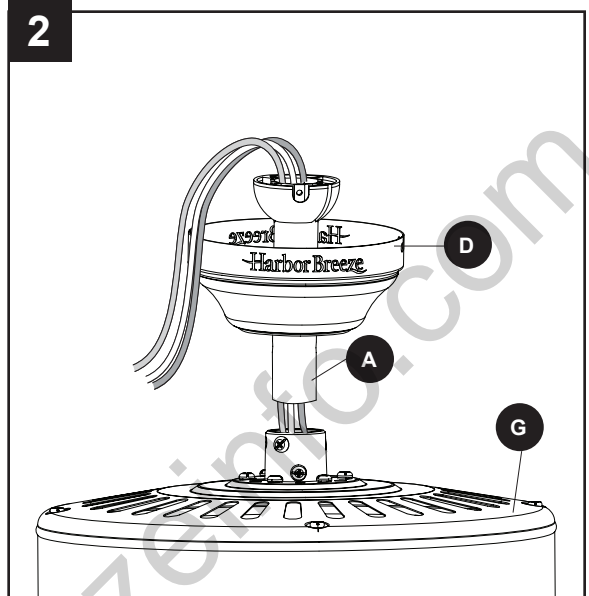


STANDARD OR ANGLE MOUNTING INSTRUCTIONS

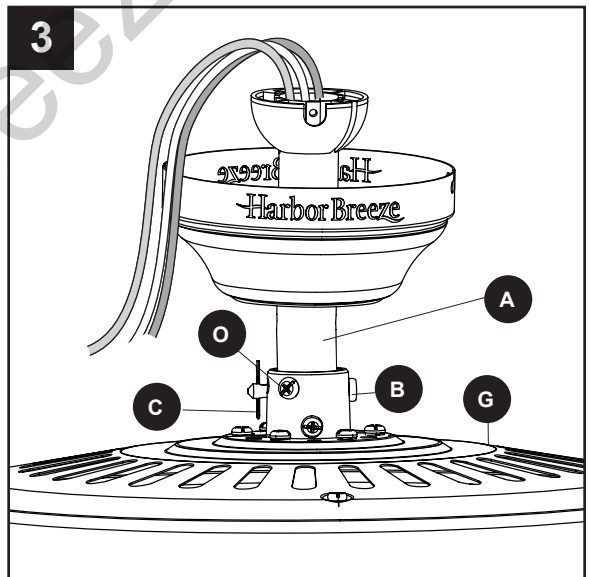
1. Remove the downrod pin (B) and downrod clip (C) from the downrod (A). Then partially loosen the set screws (O) in the yoke at the top of the motor assembly (G).



2. Insert the downrod (A) through the canopy (D). Thread the wires from the motor assembly (G) through the downrod (A).

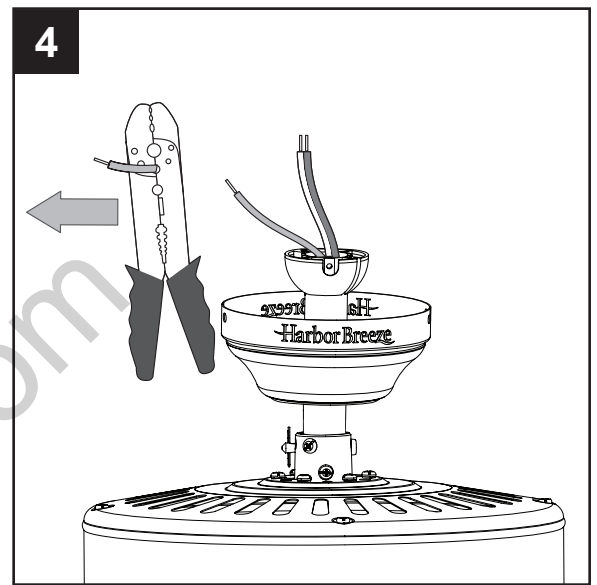


3. Slide the downrod (A) into the yoke of the motor assembly (G), align the holes, then re-install the downrod clip (C) and downrod pin (B). Secure with set screws (O).

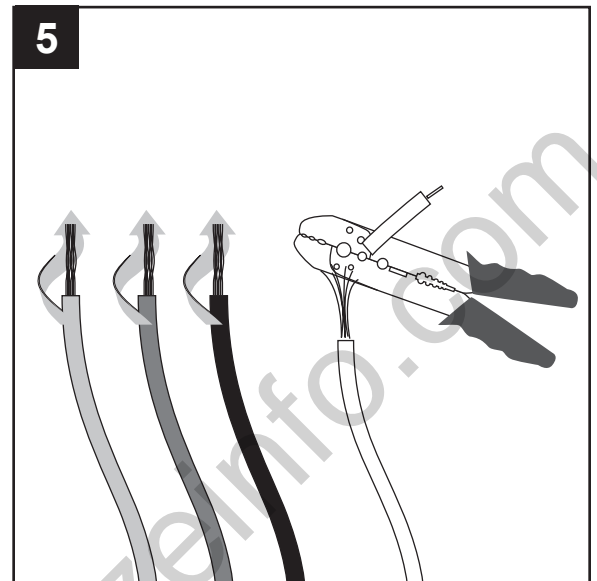


STANDARD OR ANGLE MOUNTING INSTRUCTIONS

4. Depending on the length of downrod you use, you may need to cut the lead wires back to simplify the wiring. If you decide to cut back the lead wires, it is suggested you do so in the following manner: Take the lead wires and make sure you have pulled them all the way through the top of the downrod. Measure 8 inches of lead wire, then cut the excess wire off with wire cutters (not included).



5. If you decided to cut back the lead wire in Step 4, strip 1/2 in. of insulation from the end of the white wire. Twist the stripped ends of each strand of wire within the insulation with pliers (not included). Repeat this step for black, blue and green wires.



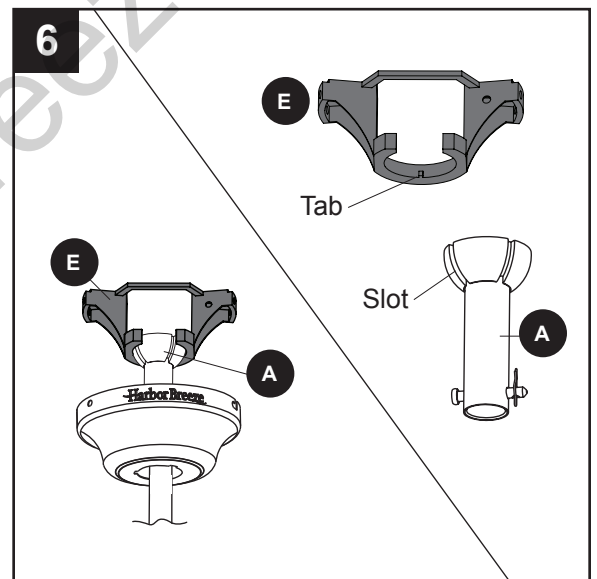
Important: If you did not cut back the lead wires in Step 4, Step 5 is not necessary and you may proceed to Step 6.

6. Install the ball end of the downrod (A) into the opening of mounting bracket (E). Align one of the four slots in the ball with the tab in the mounting bracket (E).

Note: Downrod should not rotate if installed correctly.

! DANGER: Failure to align the slot in the downrod ball with the tab on the mounting bracket (E) could cause the fan to fall, resulting in serious injury or death.

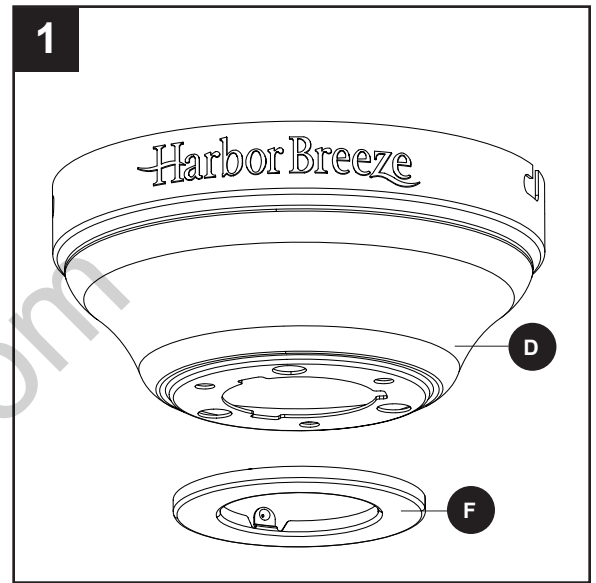
Proceed to the **Wiring** on page 12.



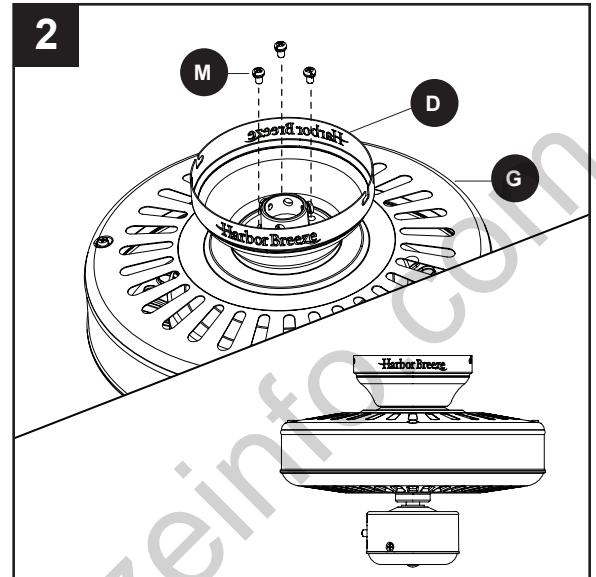
CLOSEMOUNT INSTRUCTIONS

1. Remove the canopy cover (F) from the bottom of the canopy (D).

Note: The downrod (A) and canopy cover (F) are not used in this type of installation.

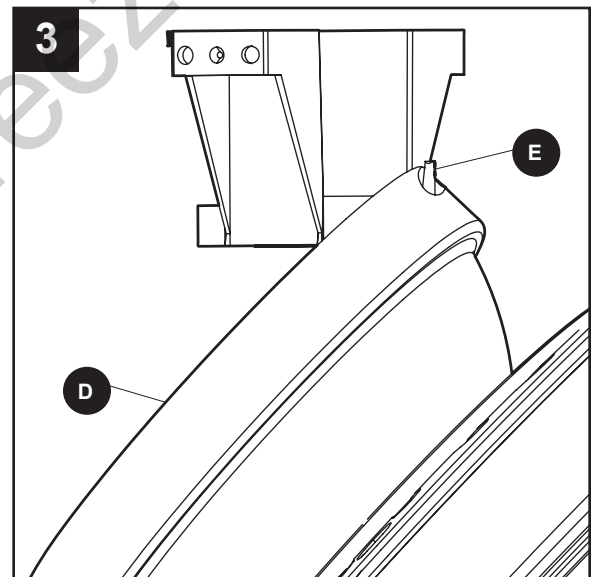


2. Remove three Phillips-head closemount screws (M) from the top of the motor assembly (G). Align the canopy (D) with the holes in the top of the motor assembly (G), then re-install the Phillips-head closemount screws (M) to secure the canopy (D) to the top of the motor assembly (G).



3. Raise the fan and place the canopy (D) on the hook on the mounting bracket (E).

Note: The hook holds the fan temporarily, leaving hands free for the wiring process.



WIRING

⚠ WARNING: To reduce the risk of fire, electrical shock or personal injury, wire connectors provided with this fan are designed to accept only one 12-gauge house wire and two lead wires from the fan. If your house wire is larger than 12 gauges and/or there is more than one house wire to connect to the two fan lead wires, consult an electrician for the proper size wire connectors to use.

CAUTION: Be sure the outlet box is properly grounded or that a ground (Green or Bare) wire is present.

1. Connect household supply and fan wires according to the diagram and these steps:

- Connect the Green wire from the downrod (A) and mounting bracket (E) to the Bare/Green (ground) supply wire. **Note:** Closemount installation will not use the Green wire from the downrod (A).
- Connect the White wire from the fan to the White (neutral) supply wire.
- Connect the Black and Blue wires from the fan to the Black (hot) supply wire.
- Secure all wiring connections together with wire connectors (AA).

Note: The Black fan wire is hot power for the fan. The White fan wire is neutral for the fan and light kit (sold separately). The Blue fan wire is hot power for light. The Green fan wire is the ground wire. If household supply wires are different colors than referred to above, it is recommended a professional electrician determines the proper wiring.

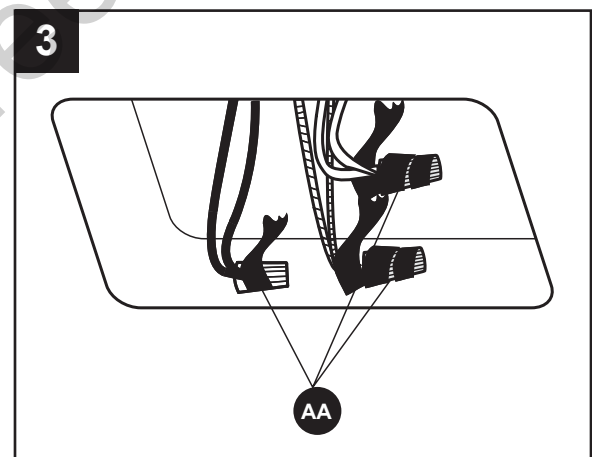
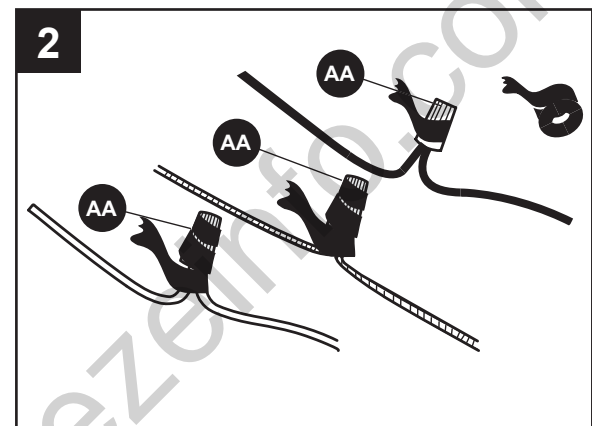
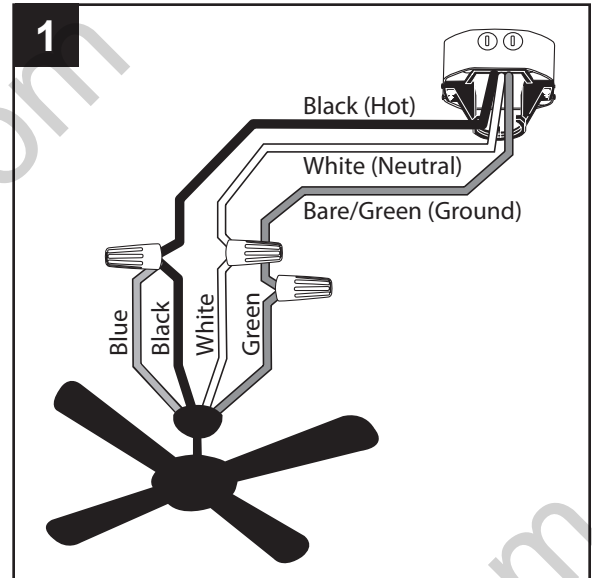
Hardware Used

AA Wire Connector  x 3

2. Wrap electrical tape (not included) around each individual wire connector (AA) down to the wire.

3. Turn the spliced/taped wires upward and gently push the wires and wire connectors (AA) into the outlet box.

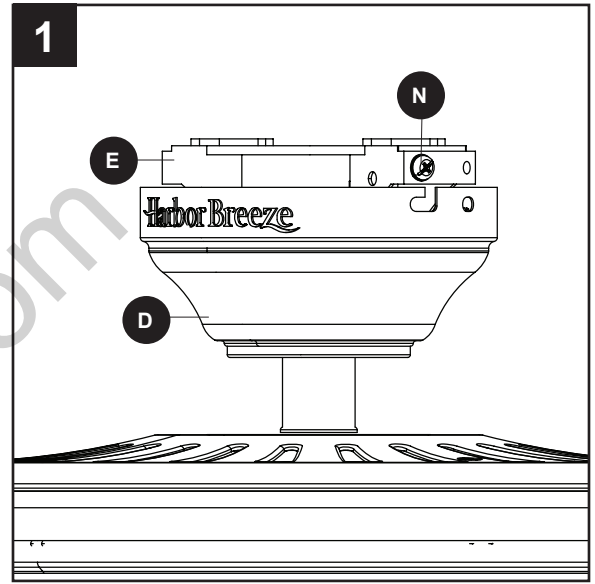
⚠ WARNING: Ensure no bare wire or wire strands are visible after making connections. Place the Green and White wire connections on the opposite side of the outlet box from the Black and Blue wire connections.



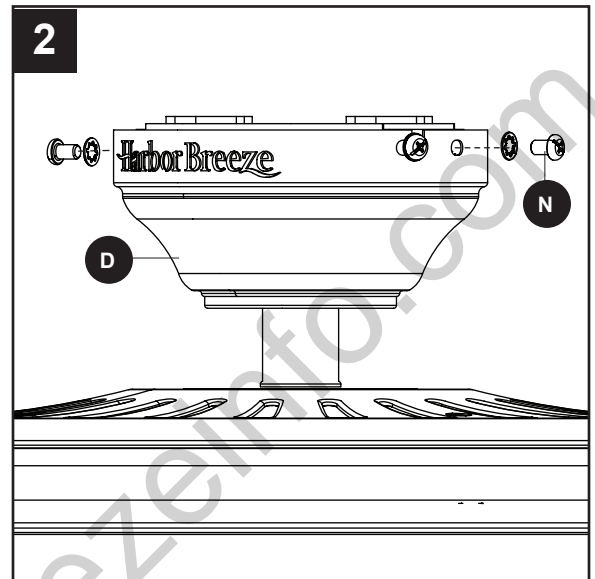
FINAL INSTALLATION

Note: Closemount installation will not use the downrod (A) or canopy cover (F).

1. Align the canopy (D) over the loose mounting bracket screws (N) preassembled on mounting bracket (E). Place the keyholes of the canopy (D) onto the mounting bracket screws (N) and rotate the canopy (D) clockwise.



2. Secure the canopy (D) with the mounting bracket screws (N) previously removed (Step 4, page 8). Tighten all mounting bracket screws (N) securely.



FINAL INSTALLATION

- Align the studs of the blade arm (I) with their corresponding holes in the blade (J). Then, insert the blade screw (CC) with blade washer (DD) where shown to attach studs of blade arm (I) to blade (J). Tighten the blade screw (CC).

Repeat for each blade (J).

Hardware Used

CC Blade Screw  x 5


DD Blade Washer  x 5

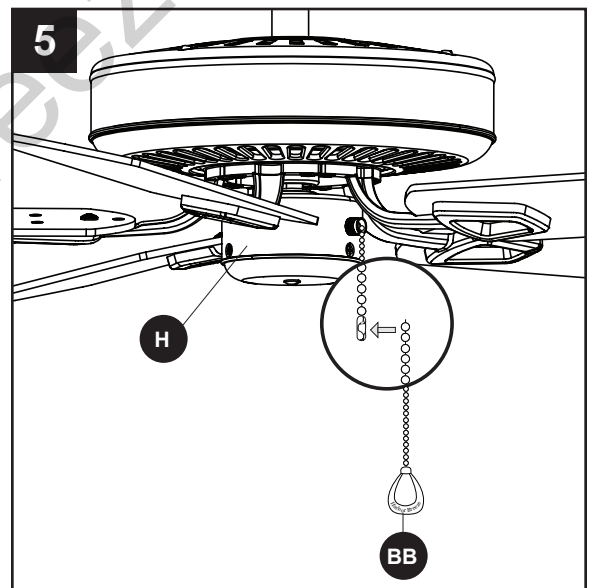
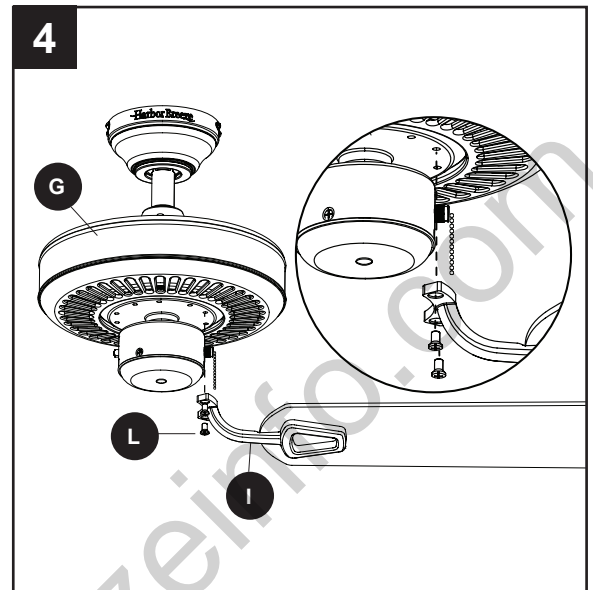
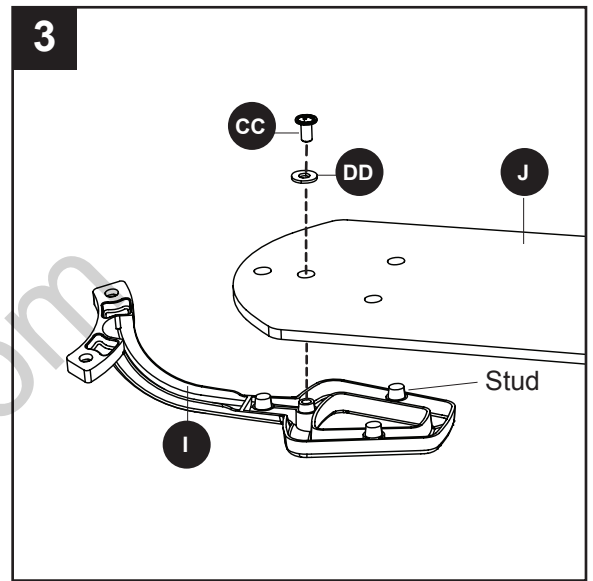
- Install the blade arm (I) to the underside of the motor assembly (G) with motor screws (L) previously removed (Step 6, page 8). Tighten with Phillips screwdriver (not included).

Repeat for each blade arm (I).

- Attach the pull chain extension (BB) or custom pull chain extension (not included) to the fan pull chain on switch housing (H).

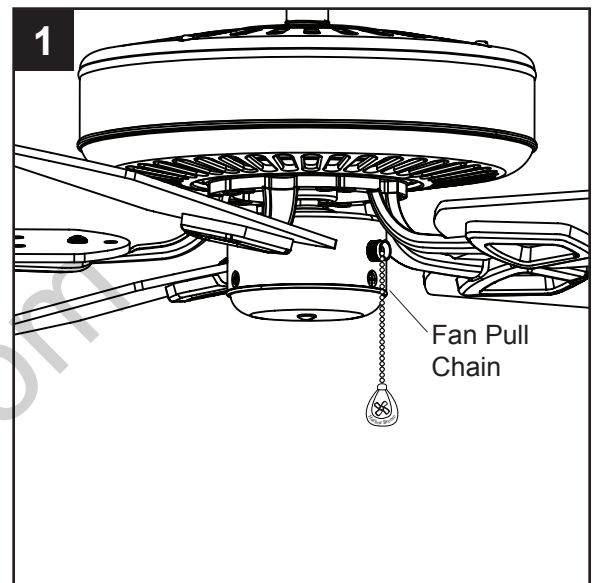
Hardware Used

BB Pull Chain Extension  x 1



OPERATING INSTRUCTIONS

1. The fan pull chain has four positions to control fan speed. One pull is HIGH, two is MEDIUM, three is LOW and four turns the fan OFF.



2. Use the fan reverse switch, located on the switch housing (H) to optimize your fan for seasonal performance.

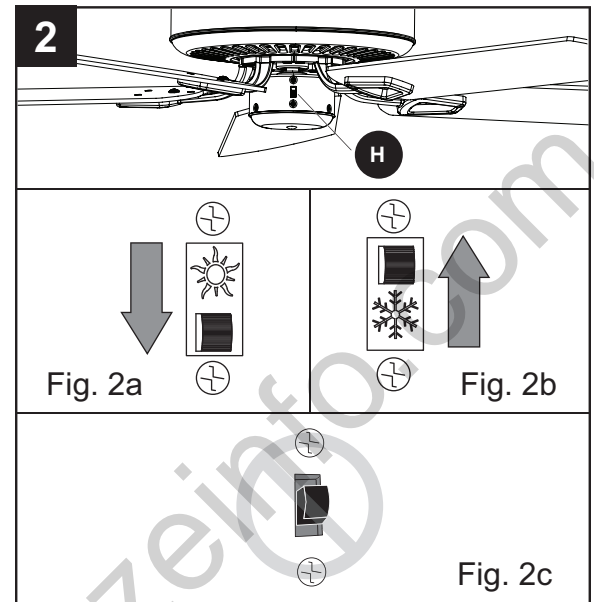
A ceiling fan will allow you to raise your thermostat setting in summer and lower your thermostat setting in winter without feeling a difference in your comfort.

Note: Wait for the fan to stop before moving the reverse switch.

2a. In warmer weather, push the reverse switch down to display a sun icon, which will result in downward airflow creating a wind chill effect.

2b. In cooler weather, push the reverse switch up to display a snowflake icon, which will result in upward airflow that can help move stagnant, hot air off the ceiling area.

Important: The reverse switch must be set either completely up or down in order for the fan to function correctly. If the reverse switch is set in the middle position, the fan will not operate (Fig. 2c).



CARE AND MAINTENANCE

At least twice each year, lower the canopy to check the downrod assembly, and then tighten all screws on the fan. Clean the motor housing with only a soft brush or lint-free cloth to avoid scratching the finish. Clean the blades with a lint-free cloth. You may occasionally apply a light coat of furniture polish to wood blades for added protection.

Important: Shut off the main power supply before you begin any maintenance task. Do not use water or a damp cloth to clean the fan.

TROUBLESHOOTING

| PROBLEM | POSSIBLE CAUSE | CORRECTIVE ACTION |
|------------------------|---|---|
| The fan does not move. | <ol style="list-style-type: none">1. The reverse switch is not engaged.2. The wall switch is turned off.3. The power is off or the fuse (breaker) is blown.4. There is a faulty wire connection. | <ol style="list-style-type: none">1. Firmly push the reverse switch completely up or down.2. Turn the power on at wall switch.3. No electricity or fuse or breaker is blown.4. Turn the power off and check all connections at the ceiling outlet box. |
| The fan is noisy. | <ol style="list-style-type: none">1. The blades are loose.2. There is a cracked blade.3. The wall control is not compatible with the fan.4. The break-in period has not surpassed.5. The outlet box is not secure.6. The mounting bracket is not secure. | <ol style="list-style-type: none">1. Check and tighten all screws that hold the fan blades to the blade arms and the motor.2. Replace the cracked blade.3. Do not use a full range dimmer switch to control the fan speed.4. Run the fan continuously for 24 - 48 hours on medium or high speed for a break-in period.5. Ensure the outlet box is secured to the building structure.6. Ensure the mounting bracket is secured to the outlet box and that the screws are tight. |

TROUBLESHOOTING

| PROBLEM | POSSIBLE CAUSE | CORRECTIVE ACTION |
|------------------------------|---|--|
| There is excessive wobbling. | <ol style="list-style-type: none">1. The blades and/or blade are loose.2. The blades are unbalanced.3. The fan mounting is not secure.4. The fan is too close to the vaulted ceiling.5. The set screw on the motor housing yoke is loose. | <ol style="list-style-type: none">1. Check and tighten all screws that hold the fan blades to the blade arms and the blade arms to the motor.2. Switch one blade with a blade from the opposite side. Or balance the fan using the blade balance kit (K).3. Turn off the power. Loosen the canopy and verify that the mounting bracket is secure to the electrical outlet box. The bracket must be flush without movement against the outlet box. Verify the outlet box is secure.4. Use a longer downrod (sold separately) or move the fan to another location.5. Tighten the set screw to the yoke until secure. |

LIFETIME LIMITED WARRANTY

The manufacturer warrants this fan to be free from defects in workmanship and materials present at time of shipment from the factory for a lifetime from the date of purchase by the original purchaser. The retailer also warrants that all other fan parts, excluding any glass or plastic blades, to be free from defects in workmanship and material at the time of shipment from the factory for a period of one year after the date of purchase by the original purchaser. The manufacturer agrees to correct such defects without charge or at its option replace the ceiling fan with a comparable or superior model.

To obtain warranty service, present a copy of the receipt as proof of purchase. All costs of removing and reinstalling the product are your responsibility. Any damage to any part such as by accident or misuse or improper installation or by affixing any accessories, is not covered by this warranty. The manufacturer assumes no responsibility whatsoever for fan installation during the limited lifetime warranty. Any service performed by an unauthorized person will render the warranty invalid.

Due to varying climate conditions, this warranty does not cover any changes in brass finish, including rusting, pitting, corroding, tarnishing or peeling. Brass finishes of this type give their longest useful life when protected from varying weather conditions. Any glass provided with this fan is not covered by the warranty.

Any replacement of defective parts from the ceiling fan must be reported within the first year from the date of purchase. For the balance of the warranty, call our customer service department for return authorization and shipping instructions so that we may repair or replace the ceiling fan. Any fan or parts returned improperly is the sole responsibility of the purchaser. There is no other expressed warranty. The manufacturer disclaims any and all warranties. The duration of any implied warranty which cannot be disclaimed is limited to the time period as specified in the expressed warranty. The manufacturer shall not be liable for incidental, consequential, or special damages arising out of or in connection with product use or performance except as may otherwise be accorded by law. This warranty gives specific legal rights, and you may also have other rights which vary from state to state.

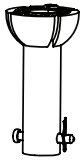
This warranty supersedes all prior warranties.

Note: A small amount of “wobble” is normal and should not be considered a defect.

REPLACEMENT PARTS LIST

For replacement parts, call the customer service department at 1-800-643-0067, 8 a.m. - 6 p.m., EST, Monday - Thursday, 8 a.m. - 5 p.m., EST, Friday.

| PART | DESCRIPTION | PART # |
|------|------------------|------------|
| A | Downrod | 0593748-A |
| D | Canopy | 0593748-D |
| E | Mounting Bracket | 0593748-E |
| F | Canopy Cover | 0593748-F |
| I | Blade Arm | 0593748-I |
| J | Blade | 0593748-J |
| HW | Hardware Kit | 0593748-HW |



A



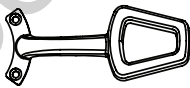
E



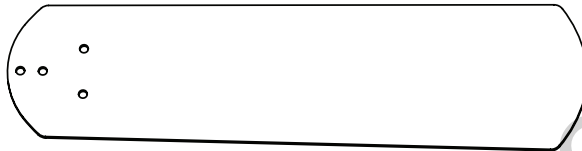
D



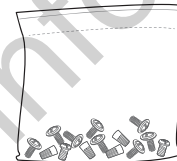
F



I



J



HW