



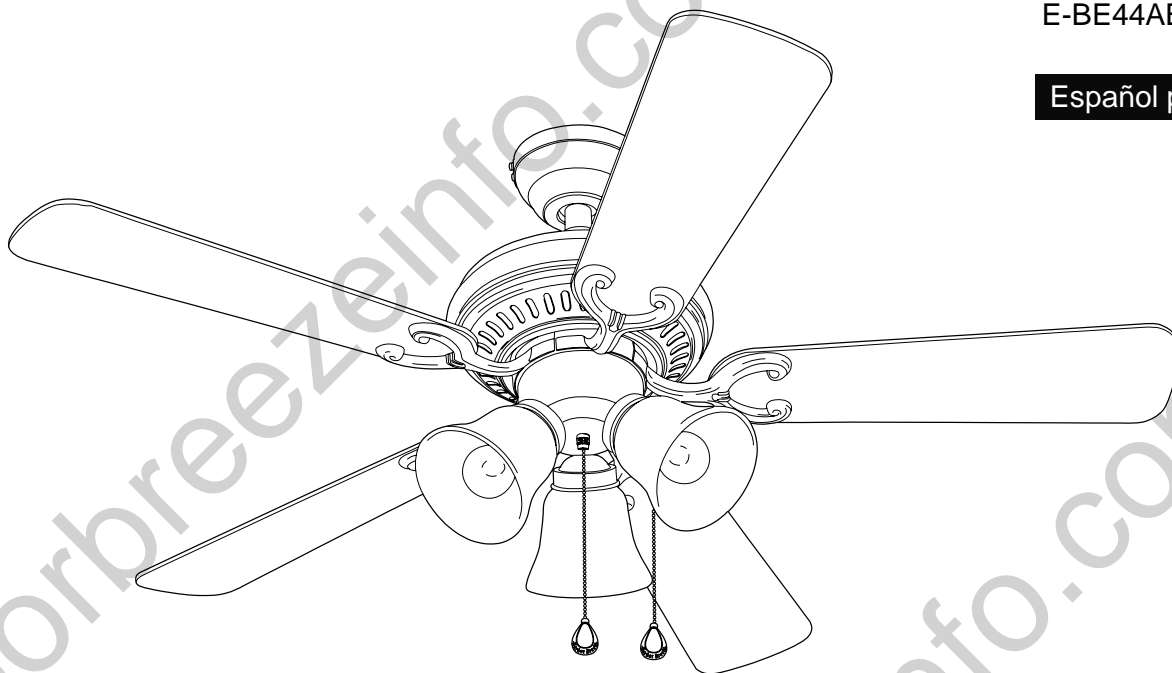
Harbor Breeze® is a registered trademark of LF, LLC. All Rights Reserved.

ITEM #0096879
0096950
0096982
0205233
SOS ITEM #0018035

BELLEVUE CEILING FAN

MODEL #E-BE44ABZ5C
E-BE44AN5C
E-BE44MWW5C
E-BE44PPW5C
E-BE44AB5CS

Español p. 22



Federal regulations require ceiling fans with light kits manufactured or imported after January 1, 2009, to limit total wattage consumed by the light kit to 190W. Therefore, this fan is equipped with a wattage limiting device.



LISTED
E124404

ATTACH YOUR RECEIPT HERE

Serial Number _____ Purchase Date _____



Questions, problems, missing parts? Before returning to your retailer, call or contact our customer service department at **1-800-527-1292**, 8:30 a.m. - 5:00 p.m., CST, Monday - Friday.

TABLE OF CONTENTS

Safety Information	2 - 3
Product Overview	4
Package Contents	5
Hardware Contents	6
Preparation	6
Initial Installation	7 - 8
Downrod Style Fan Mounting	8 - 10
Closemount Style Fan Mounting	10 - 11
Wiring	12 - 13
Final Installation	14 - 16
Operation Instructions	16 - 18
Care and Maintenance	18
Troubleshooting	18 - 19
Warranty	20
Replacement Parts List	21

SAFETY INFORMATION

READ AND SAVE THESE INSTRUCTIONS

Please read and understand this entire manual before attempting to assemble, install or operate the product. If you have any questions regarding the product, please call customer service at **1-800-527-1292**, 8:30 a.m. - 5:00 p.m., CST, Monday - Friday.

- Do not discard fan carton or foam inserts. Should this fan need to be returned to the factory for repairs, it must be shipped in its original packaging to ensure proper protection against damage that might exceed the initial cause for return.
- Make sure that all electrical connections comply with local codes, ordinances, the National Electrical Code and ANSI/NFPA 70-1999. Hire a qualified electrician or consult a do-it-yourself wiring handbook (available at Lowe's) if you are unfamiliar with installing electrical wiring.
- Make sure the installation site you choose allows a minimum clearance of 7 feet from the blades to the floor and at least 30 in. from the end of the blades to any obstruction.
- After you install the fan, make sure that all connections are secure to prevent the fan from falling.
- The net weight of this fan including the light kit is: 14 lbs. (6.35 kg).

WARNINGS



To reduce the risk of fire, electrical shock, or personal injury, mount fan to outlet box marked "ACCEPTABLE FOR FAN SUPPORT OF 35 LBS (15.9 KG) OR LESS" and use mounting screws provided with the outlet box. Most outlet boxes commonly used for the support of lighting fixtures are not acceptable for fan support and may need to be replaced. Consult a qualified electrician if in doubt.

When mounting fan to a ceiling outlet box, use a METAL octagonal outlet box. Secure the outlet box directly to the building structure. The outlet box and its support must be able to support the moving weight of the fan (at least 35 lbs.). Do NOT use a plastic outlet box.

To avoid personal injury, the use of gloves may be necessary while handling fan parts with sharp edges.

To reduce the risk of fire, electrical shock, or personal injury, wire connectors provided with this fan are designed to accept only one 12-gauge house wire and two lead wires from the fan. If your house wire is larger than 12-gauge or there is more than one house wire to connect to the two fan lead wires, consult an electrician for the proper size wire connectors to use.

To reduce the risk of fire or electrical shock, do not use the fan with any solid state speed control device or control fan speed with a full range dimmer switch.

To reduce the risk of fire, electrical shock, or personal injury, do not bend the blade arms when installing them, balancing the blades, or cleaning the fan. Do not insert objects between the rotating fan blades.

To reduce the risk of personal injury, use **only** parts provided with this fan. **The use of parts OTHER than those provided with this fan will void the warranty.**

CAUTIONS

Before proceeding, be sure to shut off electricity at main switch or circuit breaker in order to avoid electrical shock.

Read all instructions and safety information before installing your new fan. Review the accompanying assembly diagrams.

PRODUCT OVERVIEW

Congratulations on your purchase of this Harbor Breeze® Ceiling Fan! This product has been specifically designed to give you all the performance you'll ever need. Harbor Breeze® is the perfect fusion of smart innovation and beautiful style. Designed for more than just air movement, our products are built to function flawlessly... day after day. Expect showroom quality at an exceptional price with Harbor Breeze® - available exclusively at Lowe's.



Harbor Breeze® is a registered trademark of LF, LLC. All Rights Reserved.

Determining how you want your ceiling fan to look and operate is an important step prior to installation. You can save installation time by deciding which options are best suited for your needs before beginning the steps outlined in this manual.

Your fan can be installed with or without a downrod.

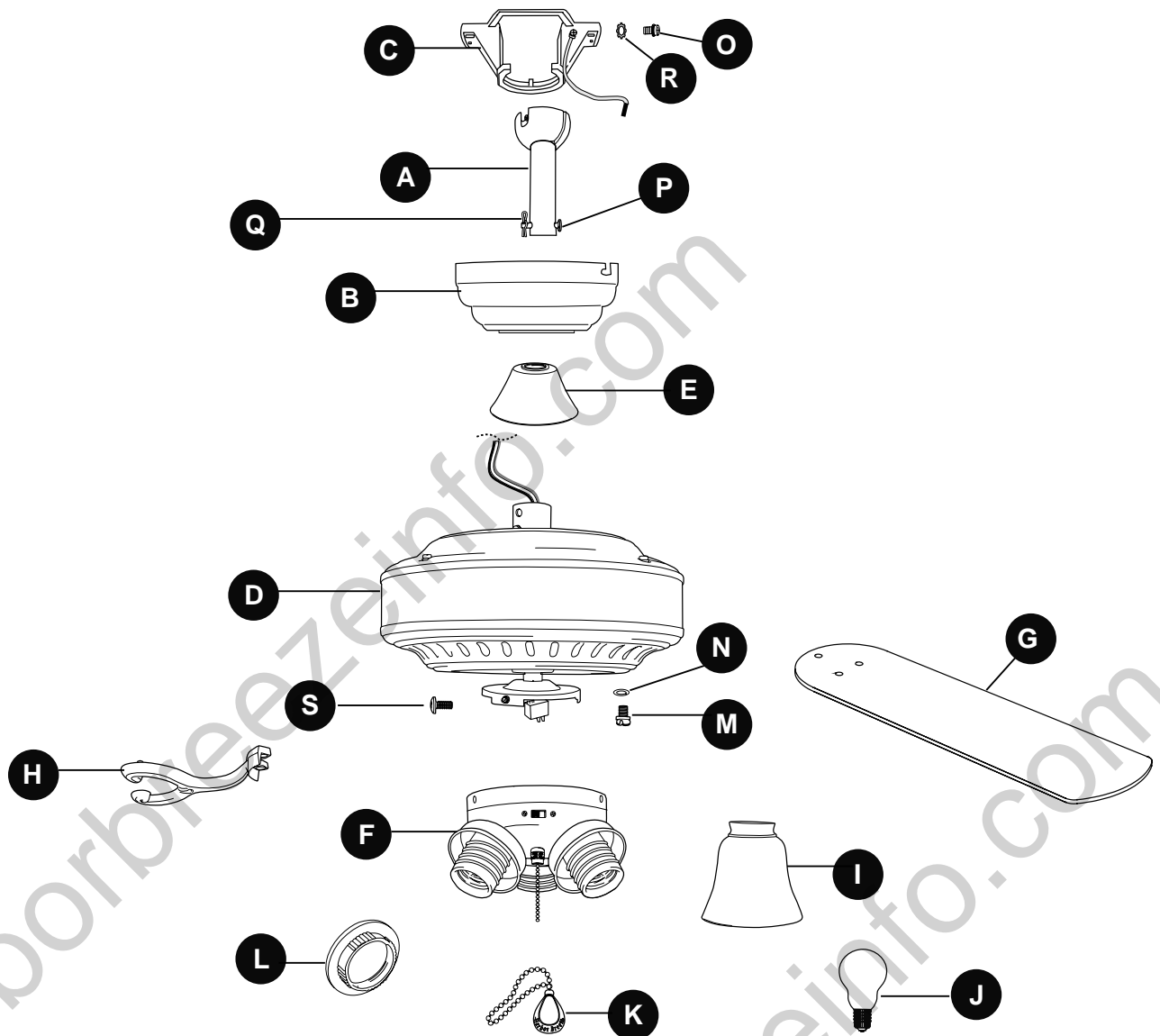
- Downrod-style mounting is best suited for ceilings 8 ft. (2.44 m) high or higher. For taller ceilings you may want to use a longer downrod (sold separately) than the one provided.
- Angle-style mounting is best suited for angled or vaulted ceilings. A longer downrod is sometimes necessary to ensure proper blade clearance.
- Closemount-style mounting is more suitable for ceilings lower than 8 ft. (2.44 m) high.

Your fan also has multiple wiring options available, including:

- Fan and light controlled by pull chain.
- Fan controlled by pull chain, light controlled by wall switch.
- Fan and light controlled by two separate wall switches.

Your fan is remote control adaptable (remote control sold separately).

PACKAGE CONTENTS


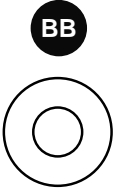
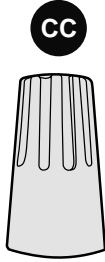


PART	DESCRIPTION	QUANTITY
A	Downrod	1
B	Canopy	1
C	Mounting Bracket	1
D	Motor Housing	1
E	Yoke Cover	1
F	Light Kit Fitter	1
G	Blade	5
H	Blade Arm	5
I	Glass Shade	3
J	Candelabra Base Bulb	3

PART	DESCRIPTION	QUANTITY
K	Pull Chain Extension	2
L	Socket Ring (preassembled)	3
M	Motor Screw (preassembled)	10
N	Lock Washer (preassembled)	10
O	Canopy Mounting Screw (preassembled)	4
P	Pin (preassembled)	1
Q	Clip (preassembled)	1
R	Star Washer (preassembled)	4
S	Fitter Plate Screw (preassembled)	3

⚠ IMPORTANT REMINDER: You must use the parts provided with this fan for proper installation and safety. **⚠**

HARDWARE CONTENTS (shown actual size)

		
Blade Screw	Fiber Blade Washer	E3 Wire Connector
Qty. 15	Qty. 15	Qty. 4

PREPARATION

Before beginning assembly of product, make sure all parts are present. Compare parts with package contents list and hardware contents above. If any part is missing or damaged, do not attempt to assemble the product. Contact customer service for replacement parts.

Estimated Assembly Time: 120 minutes

Tools Required for Assembly (not included): Electrical Tape, Phillips Screwdriver, Pliers, Safety Glasses, Stepladder and Wire Strippers

Helpful Tools (not included): AC Tester Light, Tape Measure, Do-It-Yourself-Wiring Handbook (available at Lowe's) and Wire Cutters

Bulbs Required (included): 3 candelabra-base 60-watt max. bulbs

⚠ DANGER: When using an existing outlet box, make sure the outlet box is securely attached to the building structure and can support the full weight of the fan. Failure to do this can result in serious injury or death. The stability of the outlet box is essential in minimizing wobble and noise in the fan after installation is complete.

⚠ CAUTION: Be sure outlet box is properly grounded and that a ground wire (green or bare) is present.

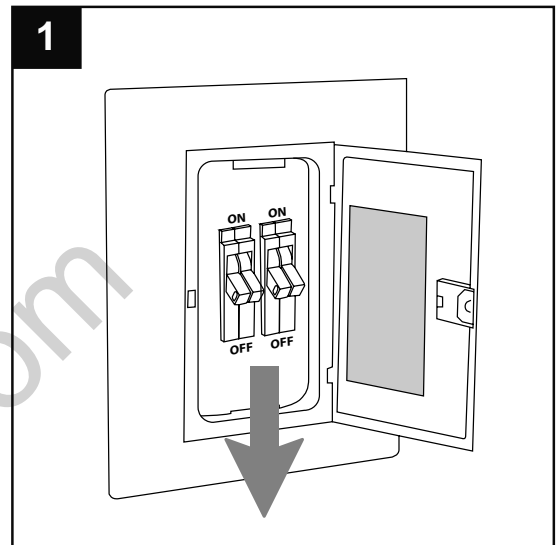
After opening top of carton, remove mounting hardware package from foam inserts. Remove motor from packing and place on carpet or on foam to avoid damage to finish.

⚠ CAUTION: Carefully check all screws, bolts and nuts on fan motor assembly to ensure that they are secured.

INITIAL INSTALLATION

1. Turn off circuit breakers and wall switch to the fan supply line leads. (Fig. 1)

⚠ DANGER: Failure to disconnect power supply prior to installation may result in serious injury or death.

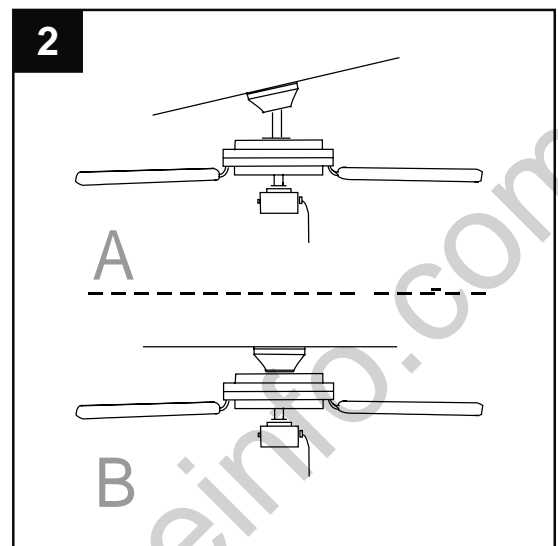


2. Determine mounting method to use. (Fig. 2)

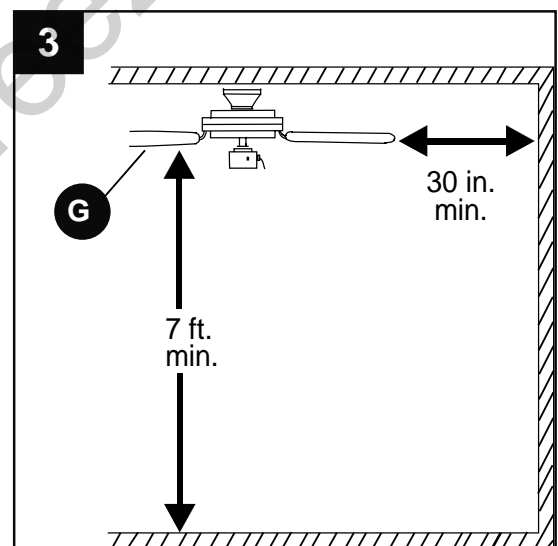
A. Downrod mount (normal or angled ceiling)

B. Closemount (normal ceiling only)

Important: If using the angle mount, check to make sure the ceiling angle is not steeper than 19°.



3. Check to make sure blades (G) are at least 30 in. from any obstruction. Check downrod (A) length to ensure blades (G) are at least 7 ft. above the floor. (Fig. 3)

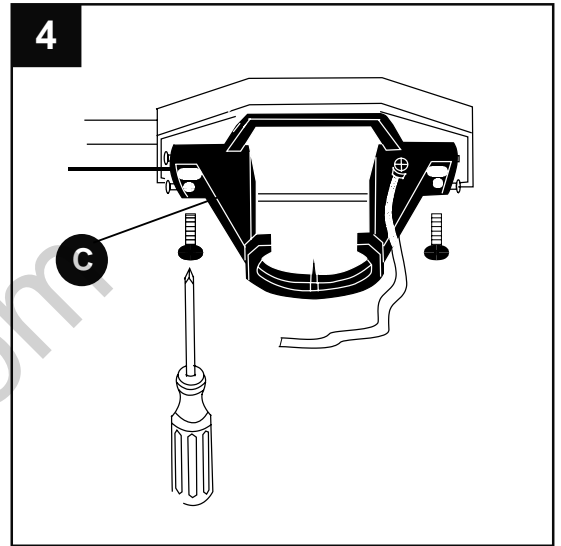


INITIAL INSTALLATION

- Secure mounting bracket (C) to outlet box using screws, spring washers, and flat washers provided with the outlet box. (Fig. 4)

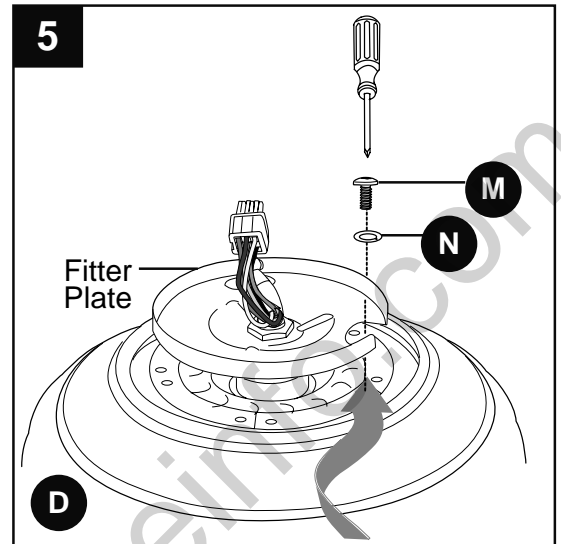
***NOTE:** It is very important that you use the proper hardware when installing the mounting bracket (C) as this will support the fan.

IMPORTANT: If using the angle mount, make sure open end of mounting bracket (C) is installed facing the higher point of the ceiling.



- Remove motor screws (M) and lock washers (N) from underside of motor housing (D). **Note:** Use opening in fitter plate for easy access to motor screws (M). [If there are plastic motor blocks installed with the motor screws (M) and lock washers (N), discard the plastic motor blocks.] (Fig. 5)

Follow mounting instructions on pages 8 - 10 for "Downrod Style Fan Mounting" or proceed to pages 10 and 11 for "Closemount Style Fan Mounting", depending on mounting method (A or B) chosen in Step 2 on previous page.

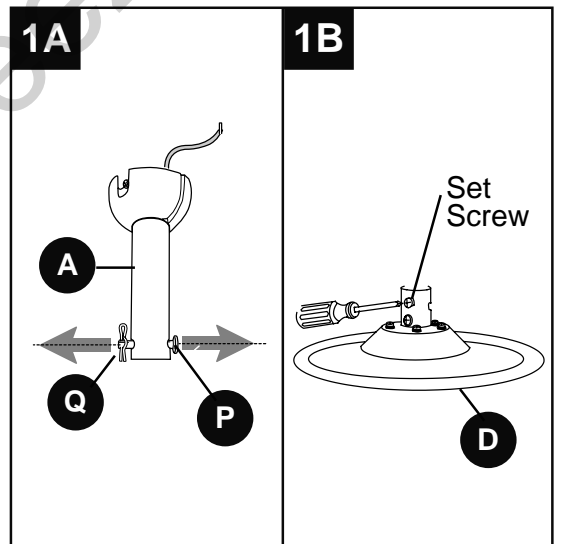


DOWNROD STYLE FAN MOUNTING

- Remove pin (P) and clip (Q) from downrod (A). (Fig. 1A)

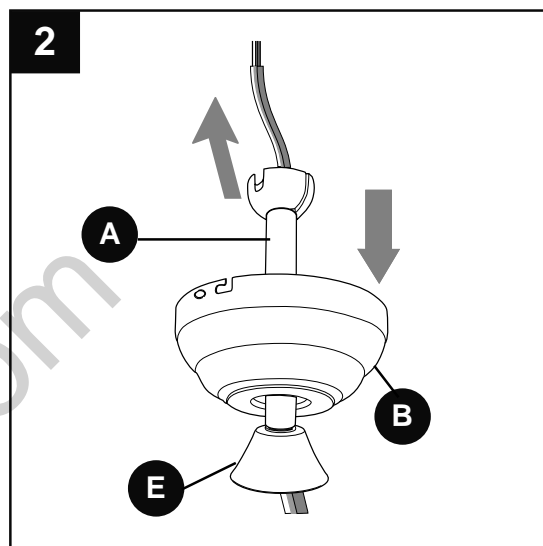
Partially loosen set screws in motor housing yoke at top of motor housing (D). (Fig. 1B)

***Helpful Hint:** Downrod style mounting is best suited for ceilings 8 ft. (2.44 m) high or higher. For taller ceilings you may want to use a longer downrod (sold separately) than the one provided. Angle style mounting is best suited for angled or vaulted ceilings. A longer downrod is sometimes necessary to ensure proper blade clearance.

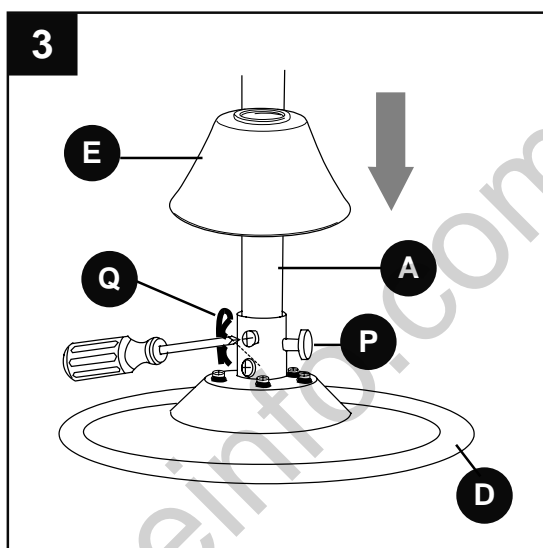


DOWNROD STYLE FAN MOUNTING

2. Insert downrod (A) through canopy (B) and yoke cover (E). Thread wires from motor housing (D) through downrod (A). (Fig. 2)



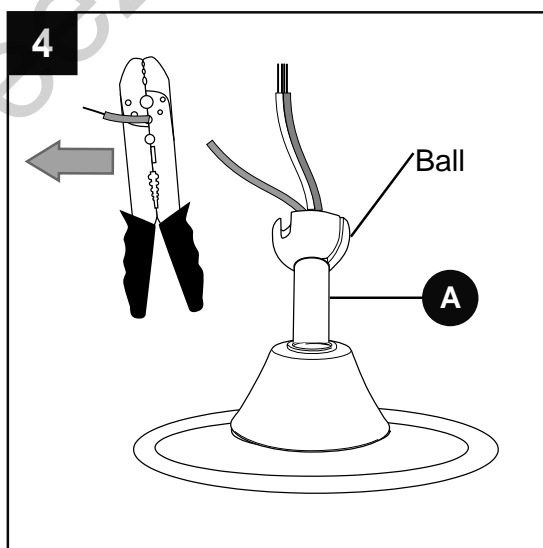
3. Slip downrod (A) into motor housing yoke, align holes and re-install pin (P) and clip (Q). Re-tighten set screws in motor housing yoke and then tighten nuts. Slide yoke cover (E) down until it rests on top of motor housing (D). (Fig. 3)



4. Depending on the length of downrod (A) you use, you may need to cut the lead wires back to simplify the wiring. If you decide to cut back the lead wires, it is suggested that you do so in the following manner:

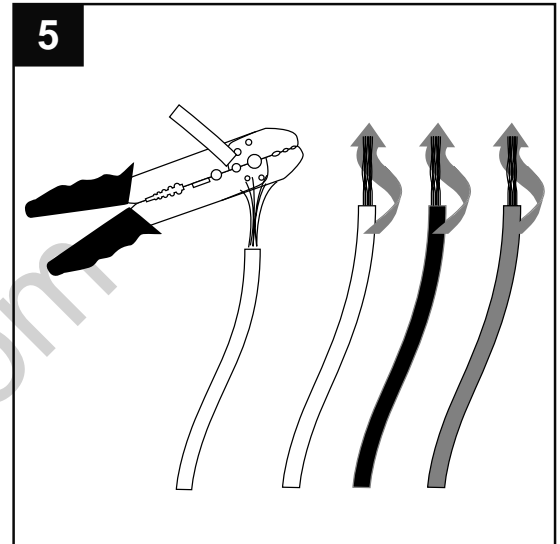
Take the lead wires and make sure that you have pulled them all the way through the top of the downrod (A). Start at the TOP of the ball on the downrod (A) and measure 8 in. of lead wire, and then cut the excess wire off with wire cutters. (Fig. 4)

Note: If you do *not* cut back the lead wires, **Steps 4 and 5 are not necessary and you may proceed to Step 6 instead.**



DOWNROD STYLE FAN MOUNTING

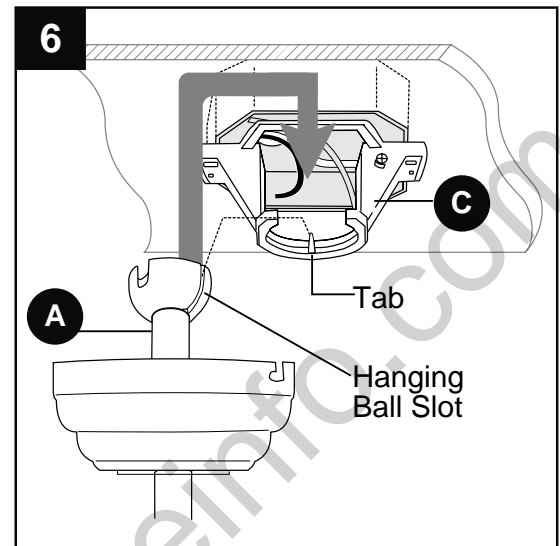
5. If you decided to cut back the lead wires in Step 4, strip 1/2 in. of insulation from end of white wire. Twist stripped ends of each strand of wire within the insulation with pliers. (Fig. 5) Repeat Step 5 for black, blue (if applicable) and green wires.



6. Install ball end of downrod (A) into mounting bracket (C) opening. Align slot in ball with tab in mounting bracket (C). (Fig. 6)

⚠ DANGER: Failure to align slot in ball with tab may result in serious injury or death.

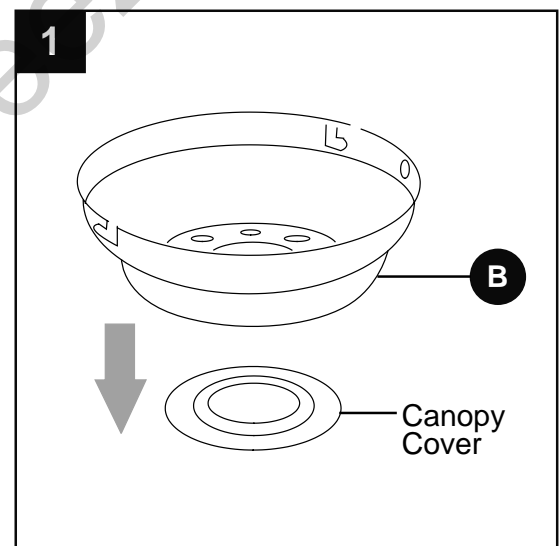
Continue to "Wiring" instructions on page 12.



CLOSEMOUNT STYLE FAN MOUNTING

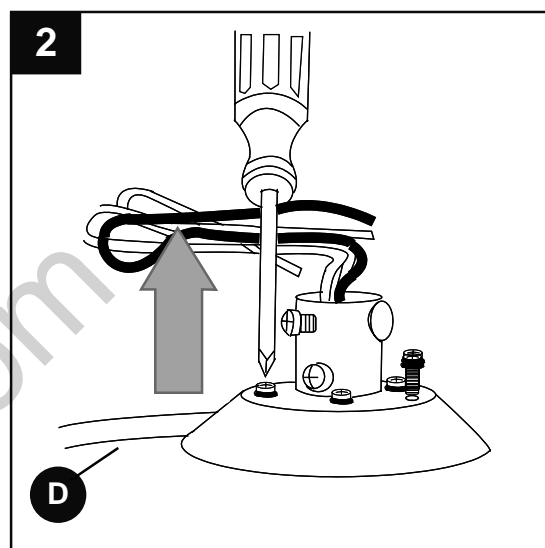
1. Remove canopy cover from bottom of canopy (B). [Note: It may be necessary to use the handle end of a screwdriver to remove the canopy cover by tapping on the canopy cover from the *inside* of the canopy.] (Fig. 1)

***Helpful Hint:** Close style mounting is more suitable for ceilings lower than 8 ft. (2.44 m) high. The downrod (A), hanging ball, yoke cover (E), and canopy cover are not used in this type of installation.

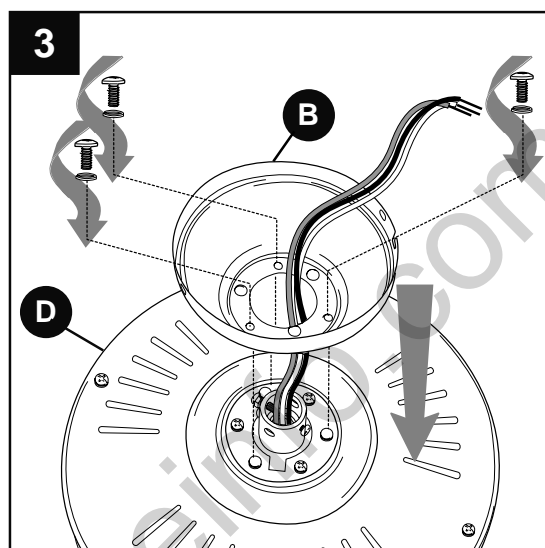


CLOSEMOUNT STYLE FAN MOUNTING

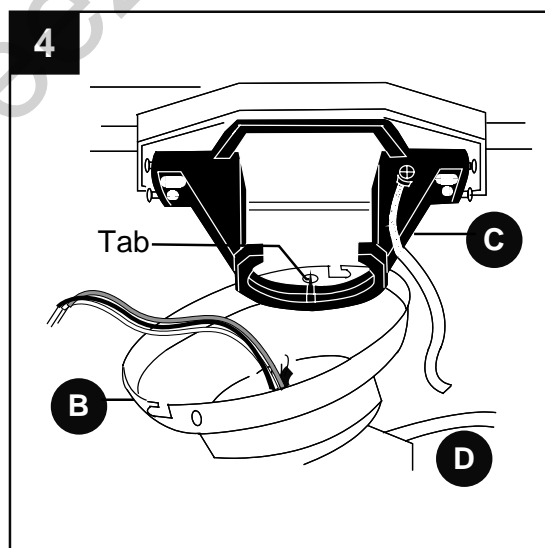
2. If necessary, remove every other screw and lock washer from top of motor housing (D). (If there are only three screws and lock washers in top of motor housing (D), the other three screws and lock washers will be located in one of the hardware packs.) (Fig. 2)



3. Pull wires through hole in the middle of the canopy (B) and attach canopy (B) to motor housing (D) using the three screws and three lock washers referred to in Step 2 above. (Fig. 3)



4. Hang motor housing (D) on the tab on the mounting bracket (C) using one of the *non-slotted* holes in the canopy (B). (Fig. 4)



WIRING

⚠ WARNING: To reduce the risk of fire, electrical shock, or personal injury, wire connectors provided with this fan are designed to accept only one 12-gauge house wire and two lead wires from the fan. If your house wire is larger than 12-gauge or there is more than one house wire to connect to the two fan lead wires, consult an electrician for the proper size wire connectors to use.

⚠ CAUTION: Be sure outlet box is properly grounded and that a ground (green or bare) wire is present.

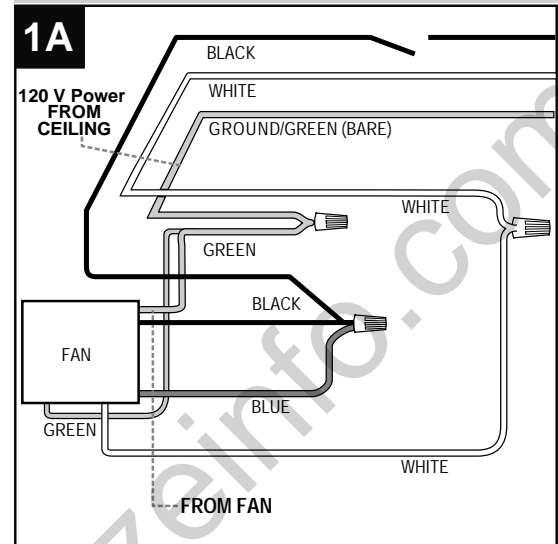
⚠ WARNING: If house wires are different colors than referred to in the following steps, stop immediately. A professional electrician is recommended to determine wiring.

1. Choose wiring diagram (Fig. 1A, Fig. 1B or Fig. 1C) that fits your situation and make appropriate wiring connections as follows: [NOTE: For each wire connection below, use one of the wire connectors (CC) provided, making sure to screw wire connector (CC) on in a clockwise direction.]

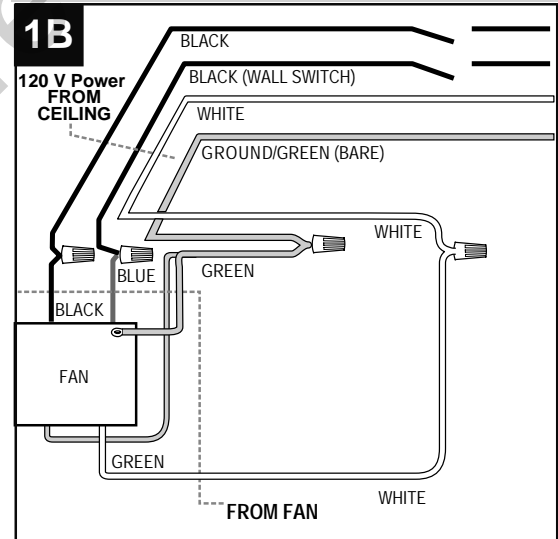
1A. FAN AND LIGHT CONTROLLED BY PULL CHAINS: Connect **BLACK** and **BLUE** wire from fan to **BLACK** wire from ceiling. Connect **WHITE** wire from fan to **WHITE** wire from ceiling. Connect all **GROUND (GREEN)** wires together from fan (on downrod (A) and mounting bracket (C)) to **BARE/GREEN** wire from ceiling. (Fig. 1A)

1B. FAN CONTROLLED BY PULL CHAIN, LIGHT BY WALL SWITCH: If you intend to control the fan light with a separate wall switch, connect **BLACK** wire from fan to **BLACK** wire from ceiling. Connect **BLUE** wire from fan to the **BLACK** wire from the independent wall switch for the light. Connect **WHITE** wire from fan to **WHITE** wire from ceiling. Connect all **GROUND (GREEN)** wires together from fan (on downrod (A) and mounting bracket (C)) to **BARE/GREEN** wire from ceiling. (Fig. 1B)

FAN AND LIGHT CONTROLLED BY PULL CHAINS



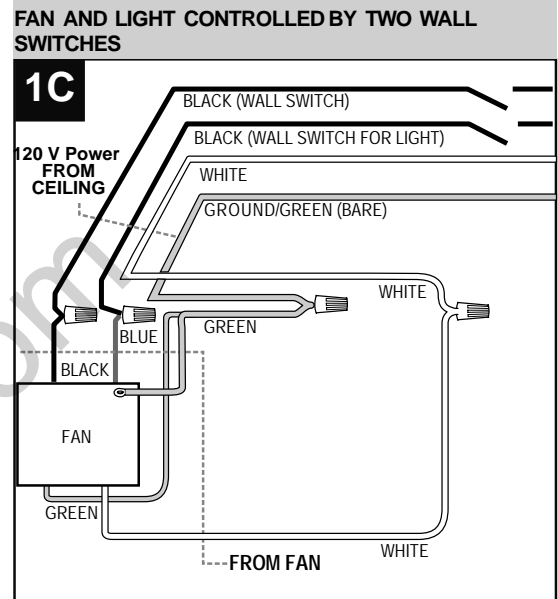
FAN CONTROLLED BY PULL CHAIN, LIGHT BY WALL SWITCH



WIRING

1C. FAN AND LIGHT CONTROLLED BY TWO WALL SWITCHES: If you intend to control the fan and light with separate wall switches, connect **BLACK** wire from fan to **BLACK** wire from the independent wall switch for the fan. Connect **BLUE** wire from fan to the **BLACK** wire from the other independent wall switch for the light. Connect **WHITE** wire from fan to **WHITE** wire from ceiling. Connect all **GROUND (GREEN)** wires together from fan (on downrod (A) and mounting bracket (C)) to **BARE/GREEN** wire from ceiling. (Fig. 1C)

NOTE: Black wire is hot power for fan. Blue wire is hot power for light kit. White wire is common for fan and light kit. Green or bare wire is ground.

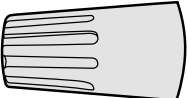


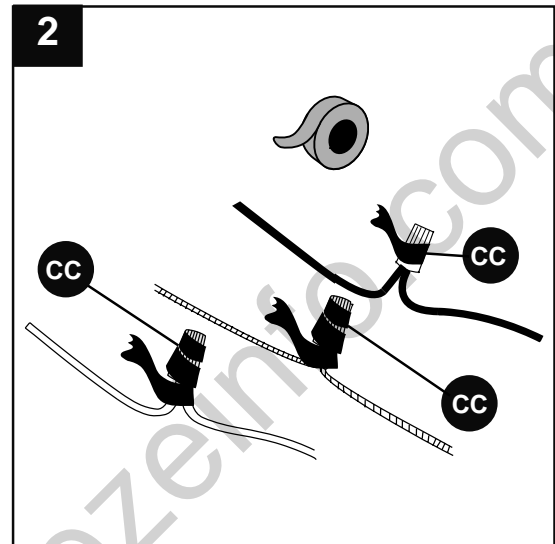
2. Wrap electrical tape around each individual wire connector (CC) down to the wire as shown in Fig. 2.

⚠ WARNING: Make sure no bare wire or wire strands are visible after making connections. Place green and white connections on opposite side of box from the black and blue (if applicable) connections.

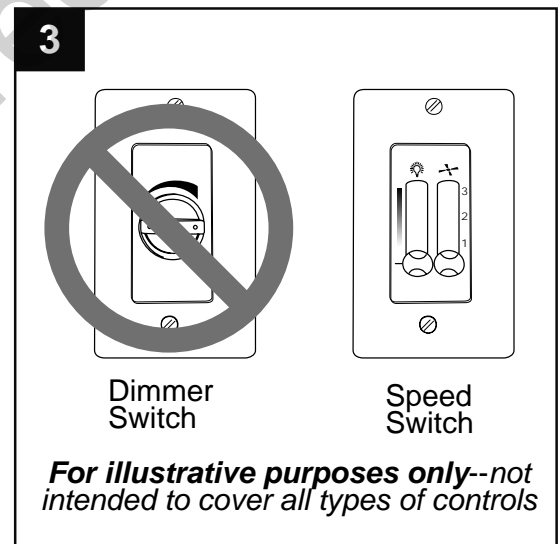
Turn spliced/taped wires upward and gently push wires and wire connectors (CC) into outlet box.

Hardware Used

CC E3 Wire Connector  x4

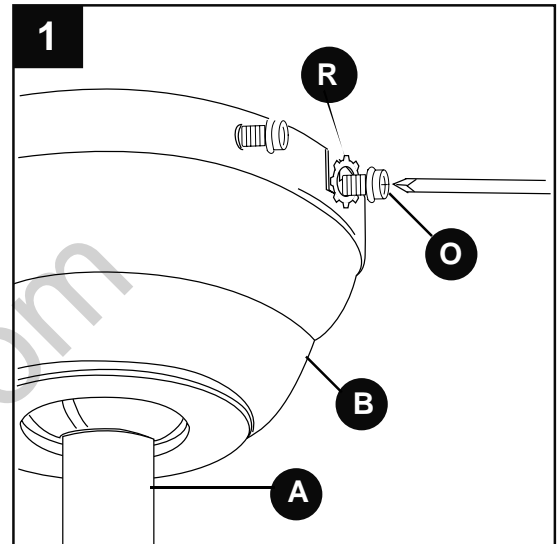


3. **IMPORTANT:** Using a full range dimmer switch to control fan speed will cause a loud humming noise from fan. To reduce the risk of fire or electrical shock, do NOT use a full range dimmer switch to control fan speed. (Fig. 3)

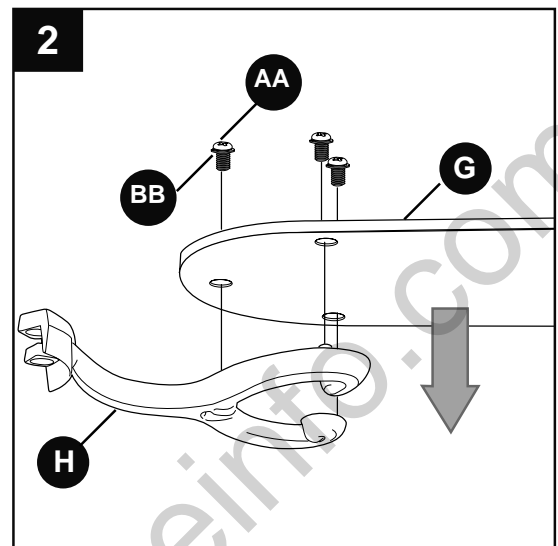


FINAL INSTALLATION

1. Temporarily lift canopy (B) to mounting bracket (C) to determine which two canopy mounting screws (O) in mounting bracket (C) align with slotted holes in canopy (B) and partially loosen these two canopy mounting screws (O). Remove the other two canopy mounting screws (O) and star washers (R). Now, lift canopy (B) to mounting bracket (C) again, aligning slotted holes in canopy (B) with loosened canopy mounting screws (O) in mounting bracket (C). Twist canopy (B) to lock. Re-insert the canopy mounting screws (O), along with the star washers (R), that were previously removed. Tighten all canopy mounting screws (O) securely. (Fig. 1)



2. Partially insert three blade screws (AA), along with three fiber blade washers (BB), to attach one blade arm (H) to a blade (G). Then, tighten each blade screw (AA) starting with the one in the middle. (Fig. 2) Repeat with remaining blades (G).

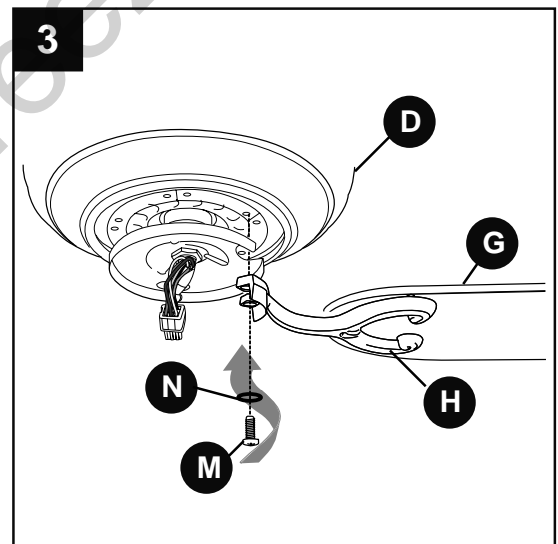


Hardware Used

AA Blade Screw		x15
BB Fiber Blade Washer		x15

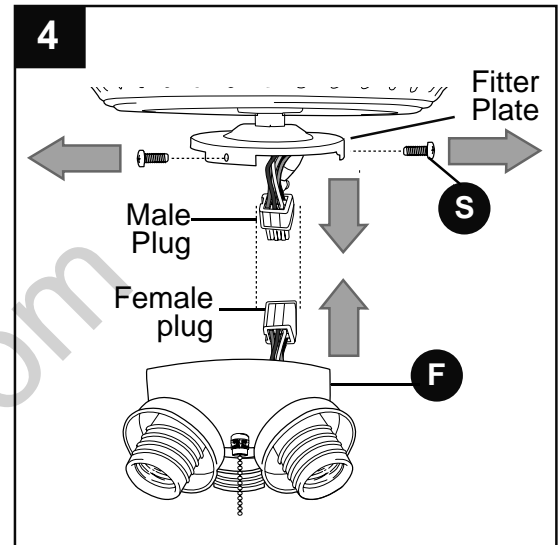
3. Locate motor screws (M) and lock washers (N) that were removed in Step 5 on page 8.

Insert two motor screws (M), along with lock washers (N), through one blade arm (H) to attach blade arm (H) to motor housing (D). [Note: Use opening in fitter plate for easy access to holes in motor.] Tighten motor screws (M) securely. (Fig. 3) Repeat with remaining blade arms (H), making sure to completely secure each blade arm (H) before proceeding with the next.

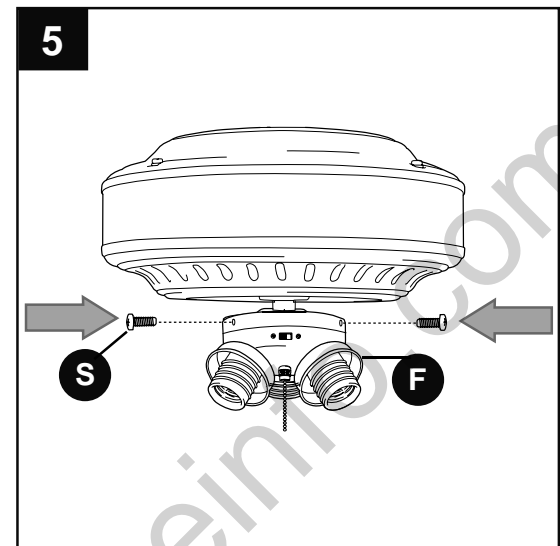


FINAL INSTALLATION

4. Remove three fitter plate screws (S) from fitter plate (on underside of motor). Connect male plug from motor housing (D) to female plug from light kit fitter (F), matching up the colors on the male plug with the colors on the female plug for correct fit. (Fig. 4) Make sure that plugs connect tightly.

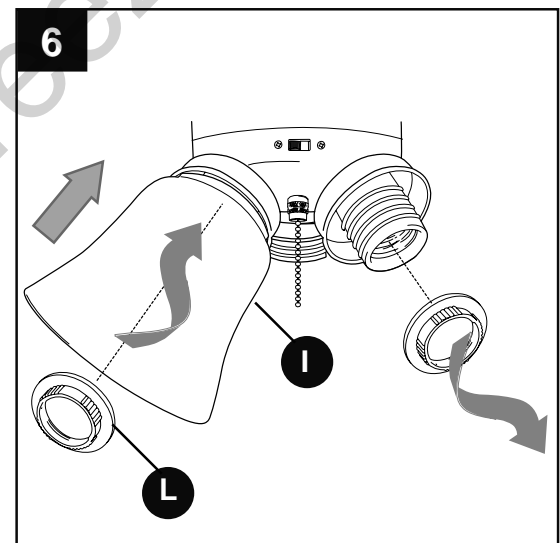


5. Align holes in light kit fitter (F) with holes in fitter plate. Re-insert fitter plate screws (S) that were removed in previous step. (Fig. 5) Use a Phillips screwdriver to secure all fitter plate screws (S).



6. Remove socket rings (L) from sockets. Attach glass shades (I) with these same socket rings (L). (Fig. 6)

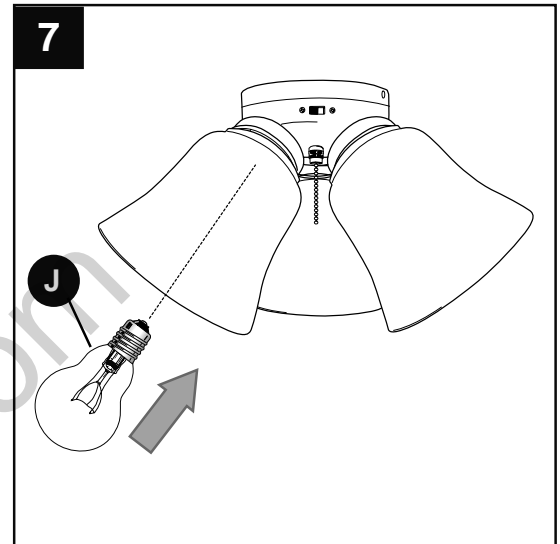
Note: Do not overtighten socket rings (L) as glass may crack or break.



FINAL INSTALLATION

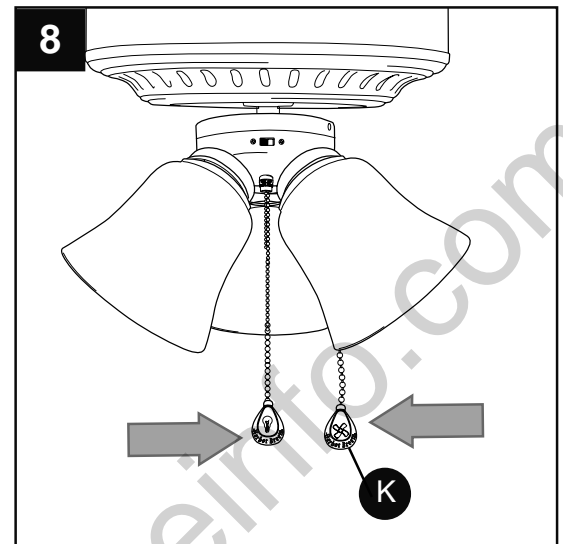
7. Install three candelabra base 60-watt max. bulbs (J) included. (Fig. 7)

Important: When you need to replace bulbs, please allow bulb(s) and light kit to cool down before touching the bulb(s) or the light kit.



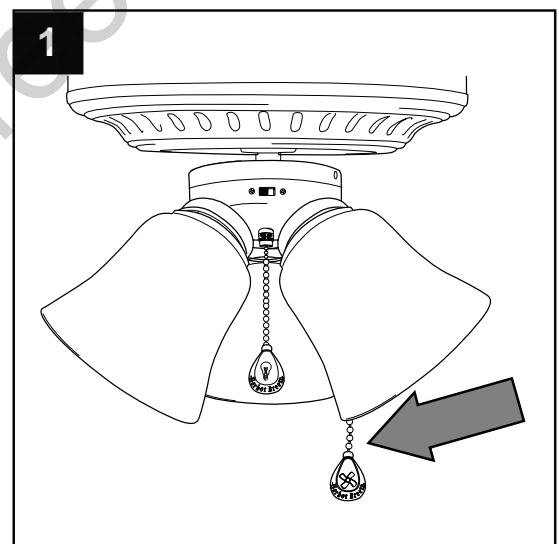
8. The pull chain extensions (K) supplied in one of the hardware packs or custom pull chains extensions (sold separately) may be attached to fan and light pull chains. (Fig. 8)

NOTE: This fan is remote control adaptable (remote control sold separately).



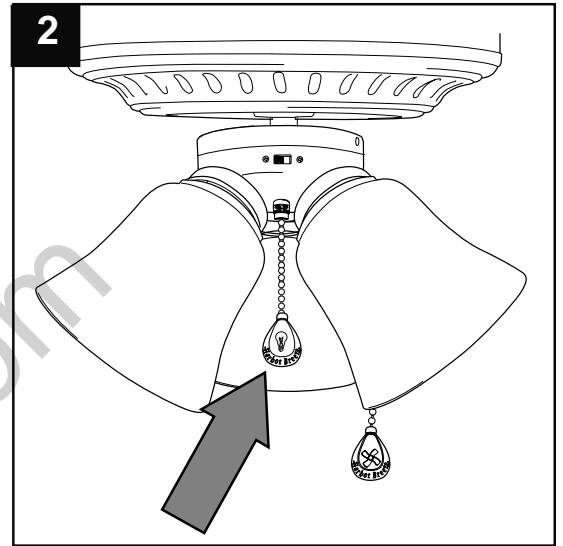
OPERATION INSTRUCTIONS

1. The pull chain labeled FAN has four positions to control **fan** speed. One pull is HIGH, two is MEDIUM, three is LOW and four turns the fan OFF. (Fig. 1)



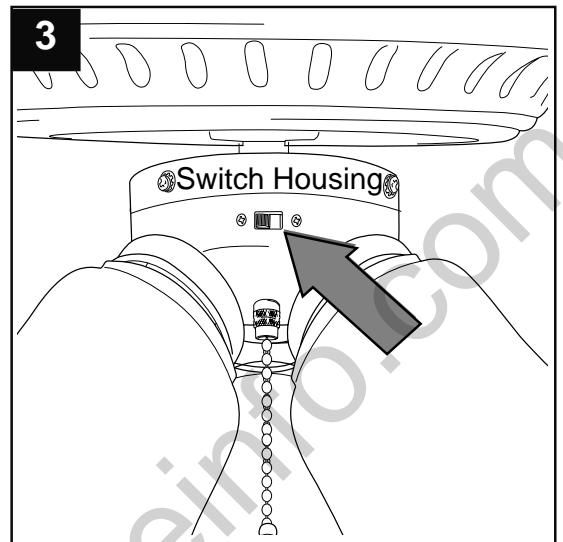
OPERATION INSTRUCTIONS

- The pull chain labeled LIGHT is used to turn the **lights** ON or OFF. (Fig. 2)



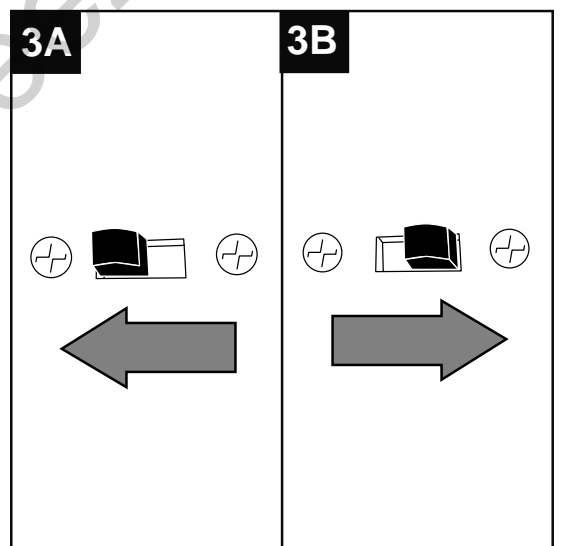
- Use the fan reverse switch, located on the switch housing, to optimize your fan for seasonal performance. (Fig. 3) A ceiling fan will allow you to raise your thermostat setting in summer and lower your thermostat setting in winter without feeling a difference in your comfort.

Note: Wait for fan to stop before moving the reverse switch.



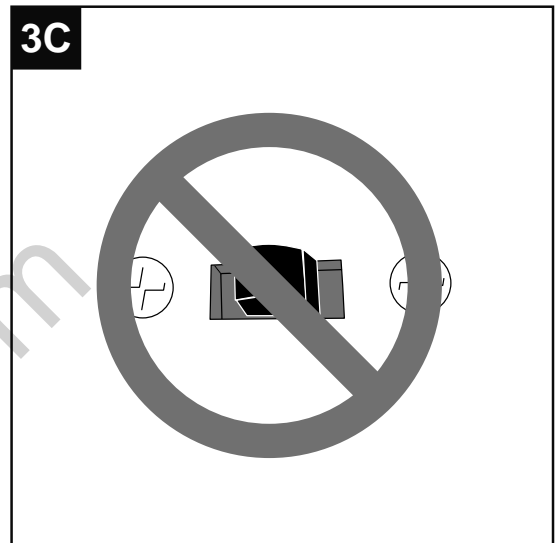
3A. In **warmer** weather, setting the reverse switch in the LEFT position will result in downward airflow creating a wind chill effect. (Fig. 3A)

3B. In **cooler** weather, setting the reverse switch in the RIGHT position will result in upward airflow that can help move stagnant, hot air off the ceiling area. (Fig. 3B)



OPERATION INSTRUCTIONS

3C. **IMPORTANT:** Reverse switch must be set either **completely** LEFT or **completely** RIGHT for fan to function. If the reverse switch is set in the middle position (Fig. 3C), fan will not operate.



CARE AND MAINTENANCE

At least twice each year, lower canopy (B) to check downrod (A) assembly, and then tighten all screws on the fan. Clean motor housing (D) with only a soft brush or lint-free cloth to avoid scratching the finish. Clean blades (G) with a lint-free cloth. You may occasionally apply a light coat of furniture polish to wood blades for added protection.

Important: Shut off main power supply before beginning any maintenance. Do not use water or a damp cloth to clean the ceiling fan.

TROUBLESHOOTING

If you have any questions regarding the product please call customer service at **1-800-527-1292**, 8:30 a.m. - 5 p.m., CST, Monday - Friday.

⚠ Warning: Before beginning work, shut off the power supply to avoid electrical shock.

PROBLEM	POSSIBLE CAUSE	CORRECTIVE ACTION
Fan does not move.	<ol style="list-style-type: none"> 1. Reverse switch not engaged. 2. Power is off or fuse is blown. 3. Faulty wire connection. 4. Plugs not connected properly. 	<ol style="list-style-type: none"> 1. Push switch firmly either to the right or to the left. 2. Turn power on or check fuse. 3. Turn power off. Loosen canopy (B) and check all connections. 4. Check that male and female plugs in light kit fitter (F) are connected properly according to instructions on page 15.
Noisy operation.	<ol style="list-style-type: none"> 1. Blades (G) are loose. 2. Cracked blade (G). 3. Full range dimmer switch. 4. Fan is new. 	<ol style="list-style-type: none"> 1. Tighten all blade screws (AA). 2. Replace blade (G). 3. Replace with an approved speed control device. 4. Allow fan a "break in" period of a few days, especially when running the fan at Medium and High speeds.

TROUBLESHOOTING

PROBLEM	POSSIBLE CAUSE	CORRECTIVE ACTION
Excessive wobbling.	<ol style="list-style-type: none"> 1. Blades (G) are loose. 2. Blade arms (H) incorrectly attached. 3. Unbalanced blades (G). 4. Fan not securely mounted. 5. Fan too close to vaulted ceiling. 6. Set screw(s) on motor housing yoke is (are) not tightened properly. 7. Set screw on hanging ball is not tightened properly. 	<ol style="list-style-type: none"> 1. Tighten all blade screws (AA). 2. Re-install blade arms (F). 3. Switch one blade (G) with a blade (G) from the opposite side. 4. Turn power off. Carefully loosen canopy (B) and verify that mounting bracket (C) is secure. 5. Use a longer downrod (A) or move fan to another location. 6. Tighten yoke set screw(s) securely. 7. Carefully loosen and lower canopy (B) and verify that set screw on hanging ball is tightened securely.
Fan operates but lights fail.	<ol style="list-style-type: none"> 1. Bulb(s) not installed correctly. 2. Wires in canopy (B) not wired properly. 3. Wall switch to fan is off. 4. Plugs not connected properly. 5. Light kit is lamped with more than the allowable 190W, causing the wattage limiting device to interrupt the flow of electricity to the light kit. 	<ol style="list-style-type: none"> 1. Re-install bulb(s). 2. Check wires in canopy (B) and if necessary, re-wire according to instructions on pages 12 and 13. 3. Make sure that wall switch to fan is on. 4. Check that male and female plugs in light kit fitter (F) are connected properly according to instructions on page 15. 5. Lamp light kit with bulbs that total no more than 190W.

Note: A small amount of "wobble" is normal and should not be considered a defect.

WARRANTY

LIMITED LIFETIME WARRANTY: Litex Industries warrants this fan to be free from defects in workmanship and materials present at time of shipment from the factory for Lifetime limited from the date of purchase. This warranty applies only to the original purchaser. Litex Industries agrees to correct any defect at no charge or, at our option, replace the ceiling fan with a comparable or superior model.

To obtain warranty service, present a copy of your sales receipt as proof of purchase. All cost of removal and reinstallation are the express responsibility of the purchaser. Any damage to the ceiling fan by accident, misuse or improper installation, or by using parts not produced by the manufacturer of this fan or affixing accessories not produced by the manufacturer of this fan, are the purchaser's own responsibility. Litex Industries assumes no responsibility whatsoever for fan installation during the limited lifetime warranty. Any service performed by an unauthorized person will render the warranty invalid.

Due to varying climatic conditions, this warranty does not cover changes in brass finish, rusting, pitting, tarnishing, corroding or peeling. Brass finish fans maintain their beauty when protected from varying weather conditions. Any glass provided with this fan is not covered by the warranty.

Any replacement of defective parts for the ceiling fan must be reported within the first year from the date of purchase. For the balance of the warranty, call our customer service department (at **1-800-527-1292**) for return authorization and shipping instructions so that we may repair or replace the ceiling fan. Any fan or parts returned improperly packaged is/are the sole responsibility of the purchaser. There is no further express warranty. Litex Industries disclaims any and all implied warranties. The duration of any implied warranty which cannot be disclaimed is limited to the limited lifetime period as specified in our warranty. Litex Industries shall not be liable for incidental, consequential or special damages arising at or in connection with product use or performance except as may otherwise be accorded by law. This warranty gives you specific legal rights and you may also have other rights which vary from state to state. This warranty supersedes all prior warranties.

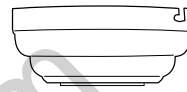
REPLACEMENT PARTS LIST

For replacement parts, call our customer service department at **1-800-527-1292**, 8:30 a.m. - 5:00 p.m., CST, Monday - Friday. When ordering parts, please have the Model # or Item # of the fan available, which can be found on page 1.

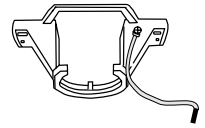
PART	DESCRIPTION
A	Downrod
B	Canopy
C	Mounting Bracket
E	Yoke Cover
F	Light Kit Fitter
G	Blade
H	Blade Arm
I	Glass Shade
K	Pull Chain Extension
L	Socket Ring
M	Motor Screw
N	Lock Washer
O	Canopy Mounting Screw
P	Pin
Q	Clip
R	Star Washer
S	Fitter Plate Screw
AA	Blade Screw
BB	Fiber Blade Washer
CC	E3 Wire Connector



A



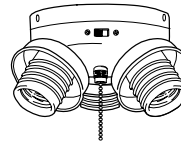
B



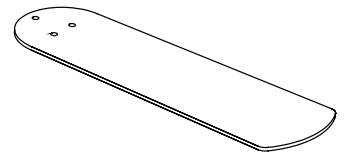
C



E



F



G



H



I



K



L



M



N



O



P



Q



R



S



AA



BB



CC



Harbor Breeze® es una marca registrada de LF, LLC. Todos los derechos reservados.

ARTÍCULO #0096879

0096950

0096982

0205233

ARTÍCULO SOS #0018035

VENTILADOR DE TECHO BELLEVUE

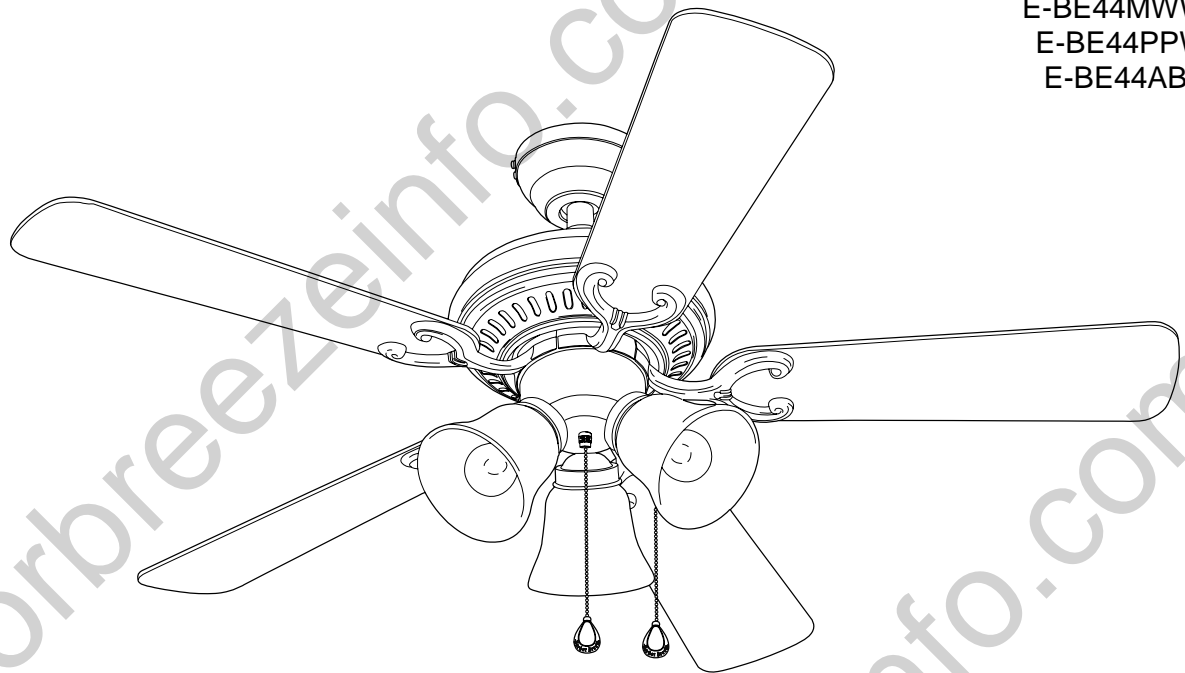
MODELO #E-BE44ABZ5C

E-BE44AN5C

E-BE44MWW5C

E-BE44PPW5C

E-BE44AB5CS



Los reglamentos federales requieren que los ventiladores de techo con kit de iluminación fabricados o importados después del 1 de enero de 2009, tengan un límite de vataje total consumido por el kit de iluminación de 190 vatios. Por lo tanto, este ventilador está equipado con un dispositivo de control de vataje.



LISTED
E124404

ADJUNTE SU RECIBO AQUÍ

Número de serie _____ Fecha de compra _____



¿Preguntas, problemas, piezas faltantes? Antes de volver a la tienda, llame a nuestro Departamento de Servicio al Cliente al **1-800-527-1292**, de lunes a viernes de 8:30 a.m. a 5:00 p.m., hora central estándar.

ÍNDICE

Información de seguridad	23 - 24
Descripción general del producto	25
Contenido del paquete	26
Aditamentos	27
Preparación	27
Instalación inicial	28 - 29
Estilo de montaje de varilla del ventilador	29 - 30
Estilo de montaje cerrado del ventilador	31 - 32
Cableado	33 - 34
Instalación final	35 - 37
Instrucciones de funcionamiento	37 - 39
Cuidado y mantenimiento	39
Solución de problemas	39 - 40
Garantía	41
Lista de piezas de repuesto	42

INFORMACIÓN DE SEGURIDAD

LEA Y GUARDE ESTAS INSTRUCCIONES

Lea y comprenda completamente este manual antes de intentar ensamblar, instalar o usar el producto. Si tiene preguntas relacionadas con el producto, llame al Departamento de Servicio al Cliente al **1-800-527-1292**, de lunes a viernes de 8:30 a.m. a 5:00 p.m., hora central estándar.

- No deseche la caja del ventilador ni los accesorios de espuma. En caso de que deba devolverse este ventilador a la fábrica para realizarle reparaciones, debe ser enviado en su empaque original para asegurar una protección adecuada contra daños que puedan aumentar la causa inicial de la devolución.
- Asegúrese de que todas las conexiones eléctricas cumplan con los códigos y ordenanzas locales, el Código Eléctrico Nacional la norma ANSI/NFPA 70-1999. Si no está familiarizado con la instalación del cableado eléctrico, contrate a un electricista calificado o consulte un manual de cableado (disponible en Lowe's) para hacerlo usted mismo.
- Asegúrese de que el sitio de instalación que elija permita una distancia mínima de 2,13 m desde las aspas hasta el piso y de que los extremos de las aspas estén, como mínimo, a 76,20 cm de cualquier obstáculo.
- Una vez instalado el ventilador, asegúrese de que todas las conexiones sean seguras a fin de evitar que se caiga.
- El peso neto de este ventilador, incluido el kit de iluminación, es: 6,35 kg (14 lb).

ADVERTENCIAS



Para reducir el riesgo de incendios, descargas eléctricas o lesiones personales, monte a una caja de salida marcada como "ACCEPTABLE FOR FAN SUPPORT OF 35 LBS (15.9 KG) OR LESS" (apta para sostener un ventilador de 15,88 kg (35 lb) o menos) y utilice los tornillos de montaje incluidos en la caja de salida. La mayoría de las cajas de salida que se usan comúnmente para sostener ensambles de iluminación no son aptas para sostener un ventilador y puede ser necesario reemplazarlas. Si tiene dudas, consulte a un electricista calificado.

Al montar el ventilador en una caja de salida del techo, use una caja de salida octogonal de METAL. Asegure la caja de salida directamente a la estructura del edificio. La caja de salida y su soporte deben ser capaces de sostener el peso del ventilador en movimiento (al menos 15,88 kg). NO use una caja de salida de plástico.

Para evitar lesiones personales, puede ser necesario usar guantes al manipular las piezas del ventilador con bordes filosos.

Para reducir el riesgo de incendios, descargas eléctricas o lesiones personales, los conectores de cables incluidos con este ventilador están diseñados para soportar sólo un cable interior de calibre 12 y dos cables conductores del ventilador. Si el cable interior es de un calibre superior a 12 o hay más de un cable interior para conectar los dos cables conductores del ventilador, pregúntele a un electricista cuál es el tamaño adecuado de los conectores de cables que debe utilizar.

Para reducir el riesgo de incendios o descargas eléctricas, no use el ventilador con dispositivos de control de velocidad para ventiladores de estado sólido ni controle la velocidad del ventilador con un regulador de intensidad de rango completo.

Para reducir el riesgo de incendio, descarga eléctrica o lesiones personales, no doble los brazos de las aspas al instalarlos, al equilibrar las aspas o al limpiar el ventilador. No introduzca objetos entre las aspas en movimiento.

Para reducir el riesgo de lesiones personales, use **sólo** las piezas que se incluyen con este ventilador. **El uso de piezas DISTINTAS a aquellas que se incluyen con este ventilador anulará la garantía.**

PRECAUCIONES

Antes de proceder, asegúrese de cortar la alimentación eléctrica de la caja principal de fusibles o interruptor de circuito a fin de evitar descargas eléctricas.

Lea todas las instrucciones y la información de seguridad antes de instalar el nuevo ventilador. Revise los diagramas de ensamblaje adjuntos.

DESCRIPCIÓN GENERAL DEL PRODUCTO

Felicitaciones por la compra de este ventilador de techo Harbor Breeze®. Este producto ha sido específicamente diseñado para brindarle todo el rendimiento que necesita. Harbor Breeze® es la fusión perfecta de la innovación inteligente y la belleza en el estilo. Diseñados no sólo pensando en el movimiento de aire, nuestros productos están fabricados para funcionar sin fallas... día a día. Obtenga calidad de sala de exhibición a un precio excepcional con Harbor Breeze®, disponible exclusivamente en Lowe's.



Harbor Breeze® es una marca registrada de LF, LLC. Todos los derechos reservados.

Decidir cómo desea que luzca y funcione su ventilador de techo es un paso importante antes de la instalación. Puede ahorrar tiempo en la instalación si decide qué opciones se adaptan mejor a sus necesidades antes de comenzar a realizar los pasos detallados en este manual.

Se puede instalar el ventilador con o sin una varilla.

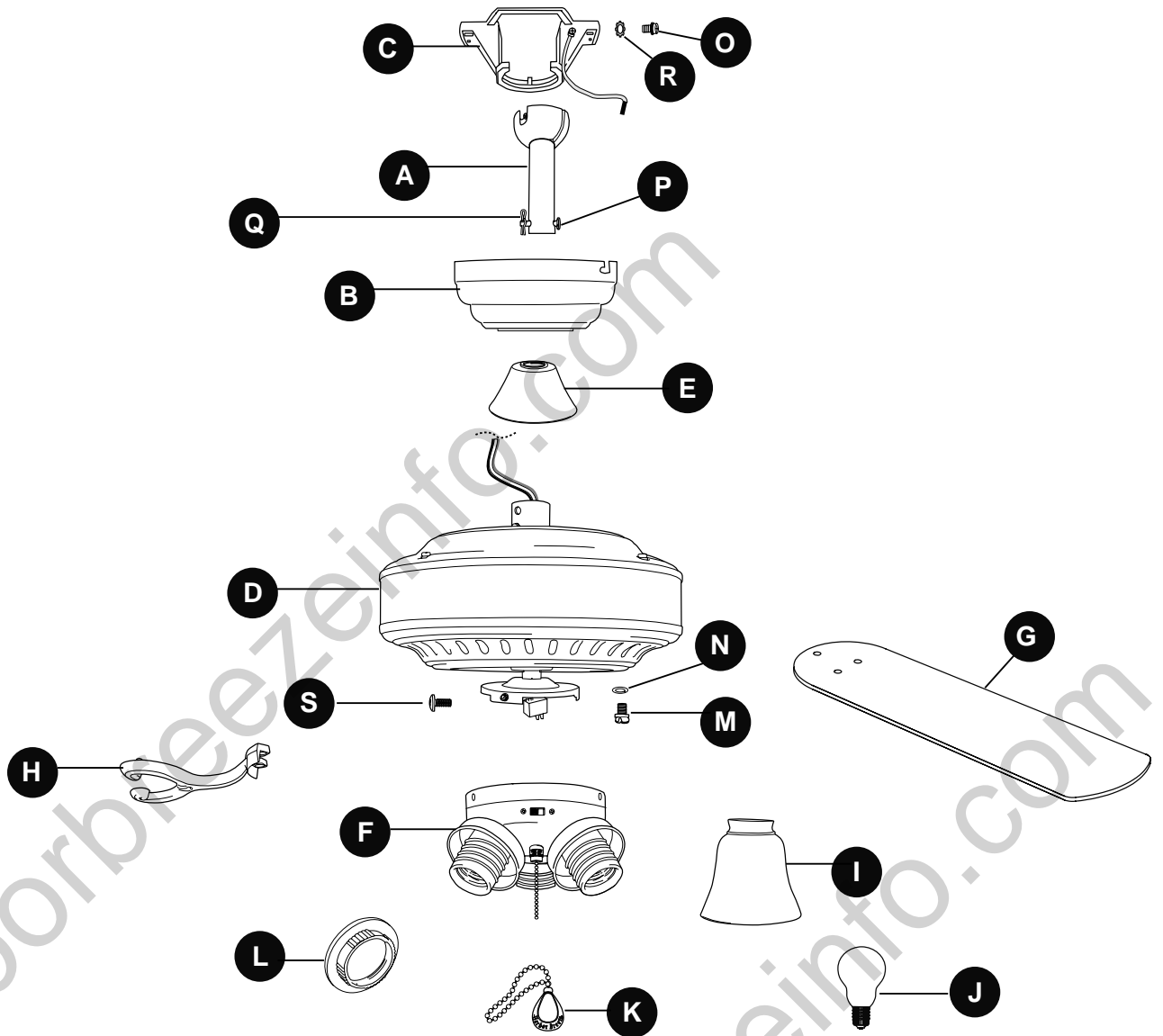
- El montaje de varilla es mejor para los techos de 2,44 m (8 pies) o más de alto. Para techos más altos, le recomendamos utilizar una varilla más larga (se vende por separado) que la provista.
- El montaje en ángulo es mejor para los techos en ángulo o de bóveda. En ocasiones, es necesaria una varilla más larga para asegurar una adecuada separación de las aspas.
- El estilo de montaje cerrado es más adecuado para los techos de menos de 2,44 m (8 pies) de alto.

El ventilador también cuenta con múltiples opciones de cableado, las que incluyen:

- Ventilador y luz controlados por cadena de tiro.
- Ventilador controlado por cadena de tiro y luz controlada por interruptor de pared.
- Ventilador y luz controlados por dos interruptores de pared independientes.

El ventilador se puede adaptar para control remoto (el control remoto se vende por separado).

CONTENIDO DEL PAQUETE


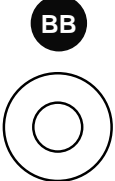
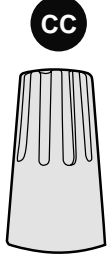


PIEZA	DESCRIPCIÓN	CANTIDAD
A	Varilla	1
B	Base	1
C	Abrazadera de montaje	1
D	Carcasa del motor	1
E	Cubierta de la horquilla	1
F	Soporte del kit de iluminación	1
G	Aspa	5
H	Brazo del aspa	5
I	Pantalla de vidrio	3
J	Bombilla de base candelabro	3

PIEZA	DESCRIPCIÓN	CANTIDAD
K	Extensión para la cadena de tiro	2
L	Anillo del portalámpara (preensamblado)	3
M	Tornillo del motor (preensamblado)	10
N	Arandela de seguridad (preensamblada)	10
O	Tornillo de montaje de la base (preensamblado)	4
P	Pasador (preensamblado)	1
Q	Sujetador (preensamblado)	1
R	Arandela de estrella (preensamblada)	4
S	Tornillo de la placa de soporte (preensamblado)	3

⚠ RECORDATORIO IMPORTANTE:
 Debe utilizar las piezas que se incluyen con este ventilador para la instalación adecuada y por seguridad. ⚠

ADITAMENTOS (se muestran en tamaño real)

		
Tornillo para aspa	Arandela para aspa fibra	Conector de cables E3
Cant. 15	Cant. 15	Cant. 4

PREPARACIÓN

Antes de comenzar a ensamblar el producto, asegúrese de tener todas las piezas. Compare las piezas con la lista del contenido del paquete y la lista de aditamentos anteriores. No intente ensamblar el producto si falta alguna pieza o si éstas están dañadas. Póngase en contacto con el Departamento de Servicio al Cliente para obtener piezas de repuesto.

Tiempo estimado de ensamblaje: 120 minutos

Herramientas necesarias para el ensamblaje (no se incluyen): Cinta aislante, destornillador Phillips, pinzas, gafas de seguridad, escalera de tijera y pinzas pelacables

Herramientas útiles (no se incluyen): Luz de prueba de CA, cinta métrica, manual de cableado para hacerlo usted mismo (disponible en Lowe's) y pinzas cortacables

Bombillas requeridas (se incluyen): 3 bombillas de base candelabro de 60 vatios como máximo

⚠ PELIGRO: Si utiliza una caja de salida existente, asegúrese de que esté bien sujeta a la estructura del edificio y que pueda sostener el peso del ventilador. El incumplimiento de dicho paso podría provocar lesiones graves o la muerte. La estabilidad de la caja de salida es fundamental para minimizar el tambaleo y el ruido en el ventilador una vez que la instalación esté completa.

⚠ PRECAUCIÓN: Asegúrese de que la caja de salida tenga la debida puesta a tierra y de que haya un conductor (verde o desnudo) de puesta a tierra.

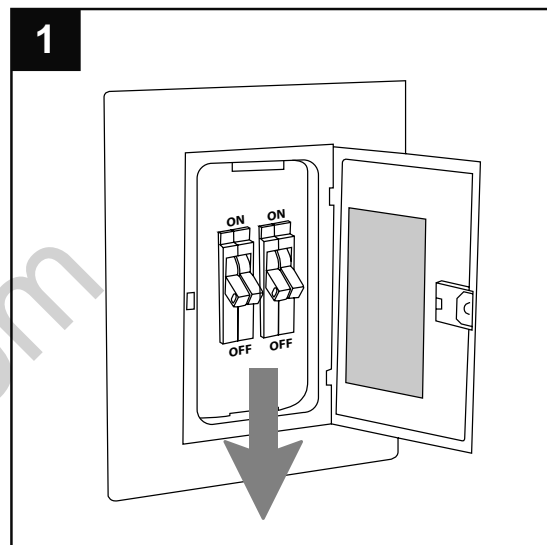
Después de abrir la parte superior de la caja, retire el paquete de aditamentos para montaje de los accesorios de espuma. Retire el motor del empaque y ubíquelo sobre una alfombra o espuma para evitar daños en el acabado.

⚠ PRECAUCIÓN: Revise cuidadosamente todos los tornillos, tuercas y pernos del ensamble del motor del ventilador para comprobar que estén seguros.

INSTALACIÓN INICIAL

1. Interrumpa el suministro de energía del ventilador apagando los interruptores de circuito y el interruptor de pared. (Fig. 1)

⚠ PELIGRO: Si no interrumpe el suministro de electricidad antes de la instalación, pueden producirse lesiones graves o la muerte.

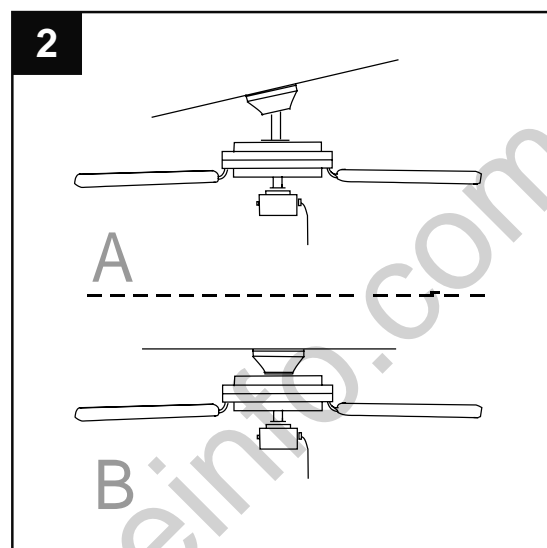


2. Determine el método de instalación que utilizará. (Fig. 2)

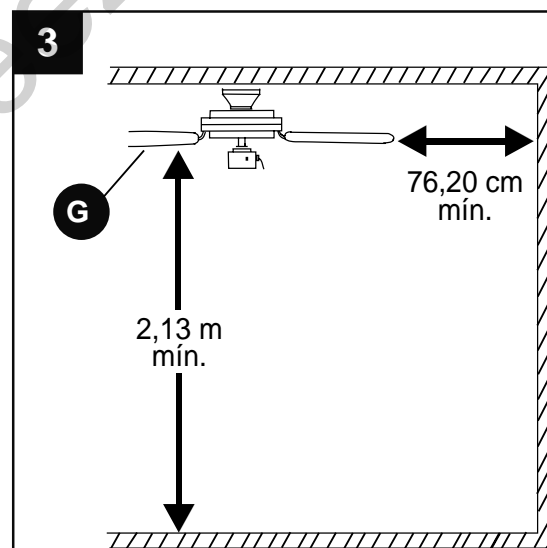
A. Montaje de varilla (techos normales o en ángulo)

B. Montaje cerrado (sólo para techos normales)

Importante: Si realiza la instalación en ángulo, verifique que el ángulo del techo no tenga una inclinación superior a los 19°.



3. Verifique que las aspas (G) estén al menos a 76,20 cm de cualquier obstrucción. Verifique el largo de la varilla (A) para asegurarse de que las aspas (G) estén al menos a 2,13 m por encima del piso. (Fig. 3)

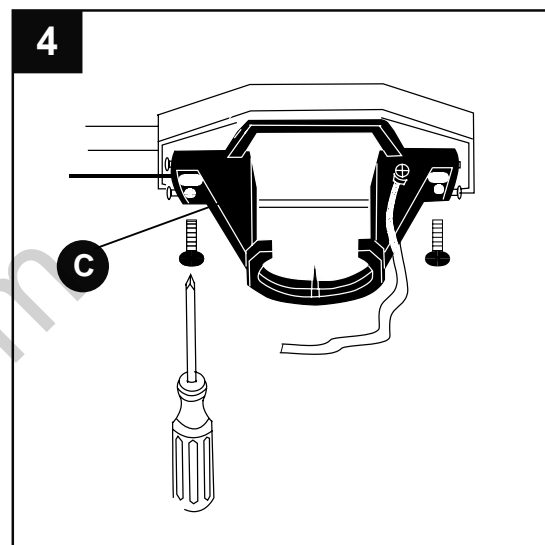


INSTALACIÓN INICIAL

4. Asegure la abrazadera de montaje (C) a la caja de salida con los tornillos, las arandelas de resorte y las arandelas planas que incluye la caja de salida. (Fig. 4)

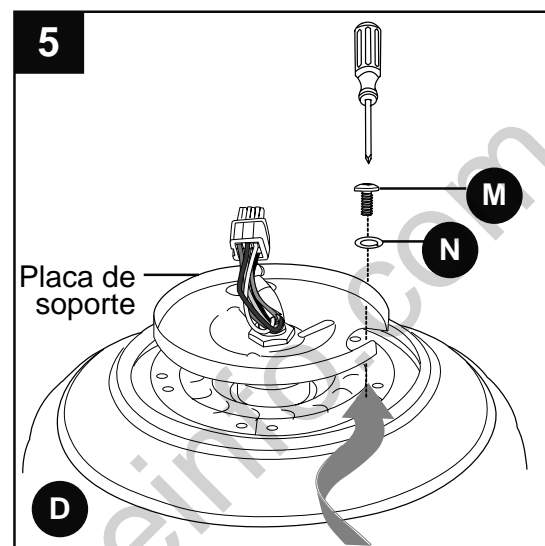
***NOTA:** Es muy importante que use los aditamentos adecuados para instalar la abrazadera de montaje (C), ya que ésta soportará el ventilador.

IMPORTANTE: Si realiza el montaje en ángulo, asegúrese de que el extremo abierto de la abrazadera de montaje (C) esté instalado en dirección hacia el punto más alto del techo.



5. Retire los tornillos del motor (M) y las arandelas de seguridad (N) desde la parte inferior de la carcasa del motor (D). **Nota:** Use la abertura de la placa de soporte para facilitar el acceso a los tornillos del motor (M). [Si hay topes plásticos del motor instalados con los tornillos del motor (M) y las arandelas de seguridad (N), deseche los topes plásticos del motor]. (Fig. 5)

Siga las instrucciones de instalación en las páginas 29 a 31 para el “estilo de montaje de varilla del ventilador” o proceda con las páginas 31 y 32 para el “estilo de montaje cerrado del ventilador”, dependiendo del método de instalación (A o B) que escoja en el Paso 2 en la página anterior.

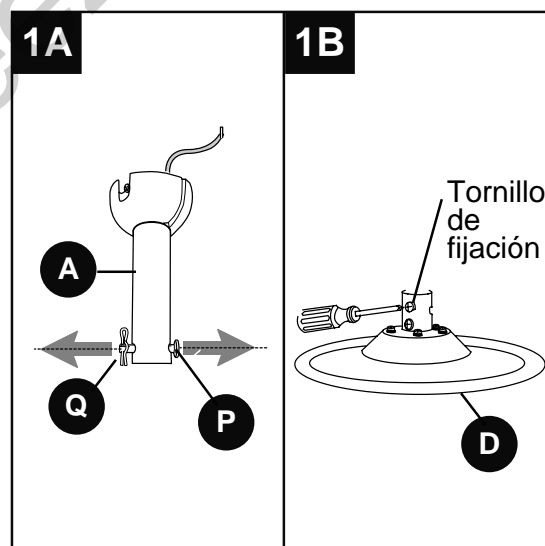


ESTILO DE MONTAJE DE VARILLA DEL VENTILADOR

1. Retire el pasador (P) y el sujetador (Q) de la varilla (A). (Fig. 1A)

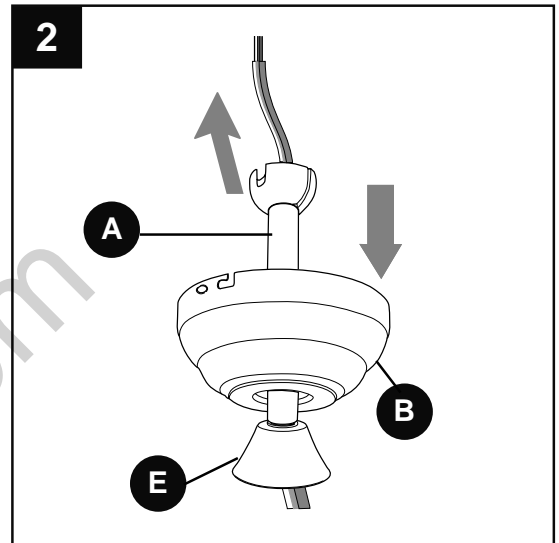
Afloje parcialmente los tornillos de fijación de la horquilla de la carcasa del motor en la parte superior de la carcasa del motor (D). (Fig. 1B)

***Consejo útil:** El montaje de varilla es mejor para los techos de 2,44 m (8 pies) o más de alto. Para techos más altos, le recomendamos utilizar una varilla más larga (se vende por separado) que la provista. El montaje en ángulo es mejor para los techos en ángulo o de bóveda. En ocasiones, es necesaria una varilla más larga para asegurar una adecuada separación de las aspas.

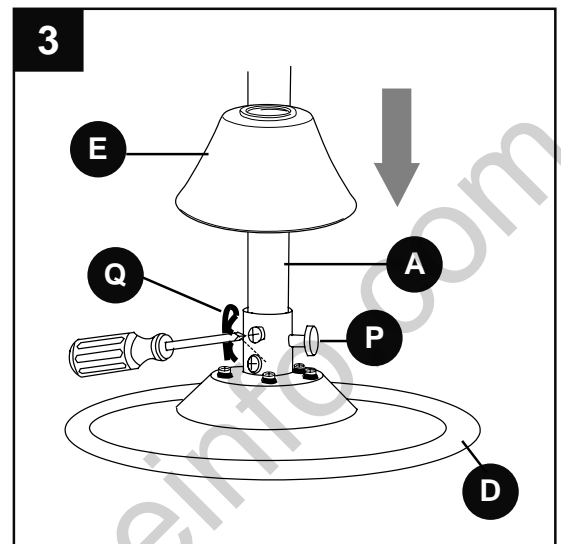


ESTILO DE MONTAJE DE VARILLA DEL VENTILADOR

- Introduzca la varilla (A) a través de la base (B) y la cubierta de la horquilla (E). Pase los conductores desde la carcasa del motor (D) a través de la varilla (A). (Fig. 2)



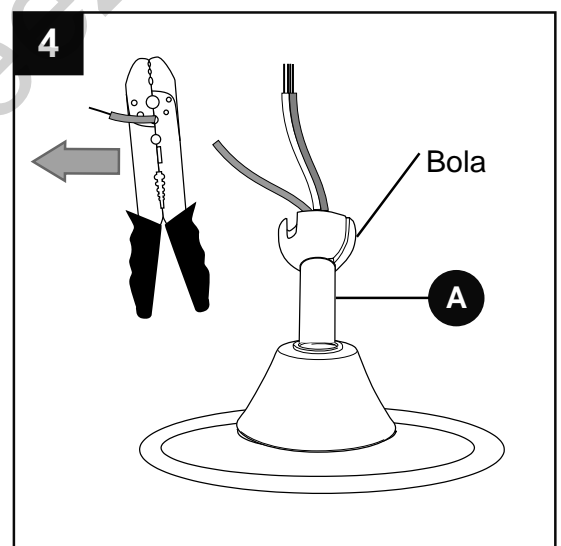
- Deslice la varilla (A) en la horquilla de la carcasa del motor, alinee los orificios y vuelva a instalar el pasador (P) y el sujetador (Q). Vuelva a apretar los tornillos de fijación en la horquilla de la carcasa del motor y apriete las tuercas. Deslice la cubierta de la horquilla (E) hacia abajo hasta que quede sobre la carcasa del motor (D). (Fig. 3)



- Dependiendo del largo de la varilla (A) que utilice, es posible que necesite cortar los cables conductores para simplificar el cableado. Si decide cortar los cables conductores, se sugiere hacerlo de la siguiente manera:

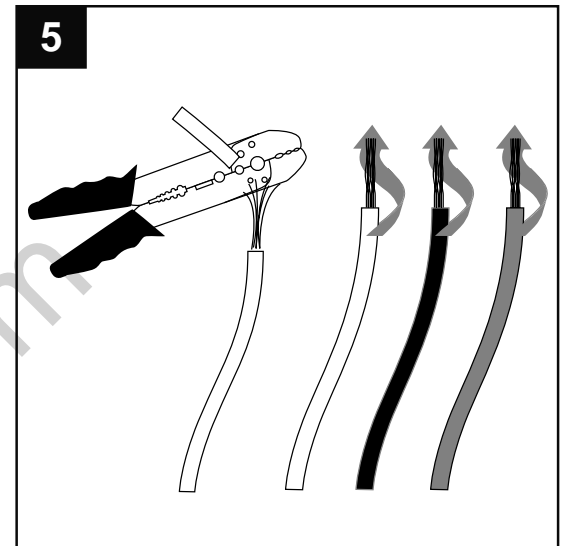
Tome los cables conductores y asegúrese de jalarlos completamente a través de la parte superior de la varilla (A). Comience en la parte SUPERIOR de la bola en la varilla (A) y mida 20,32 cm de cable conductor y corte el exceso de cable con las pinzas cortacables. (Fig. 4)

Nota: Si **no** cortó los cables conductores, los **Pasos 4 y 5 no son necesarios y puede proceder con el Paso 6 en su lugar.**



ESTILO DE MONTAJE DE VARILLA DEL VENTILADOR

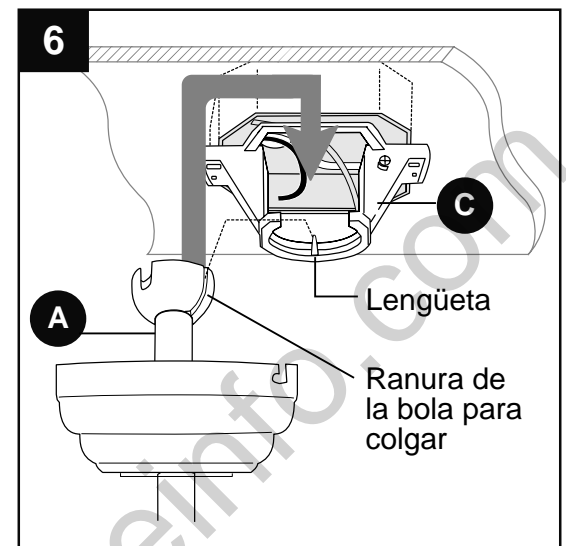
- Si decidió cortar los cables conductores en el Paso 4, pele 1,27 cm del aislamiento del extremo del conductor blanco. Tuerza los extremos pelados de cada filamento de conductor dentro del aislamiento con pinzas. (Fig. 5) Repita el paso 5 para los conductores negro, azul (si corresponde) y verde.



- Instale el extremo con la bola de la varilla (A) en la abertura de la abrazadera de montaje (C). Alinee la ranura de la bola con la lengüeta en la abrazadera de montaje (C). (Fig. 6)

⚠ PELIGRO: Si no alinea la ranura de la bola con la lengüeta, pueden producirse lesiones graves o la muerte.

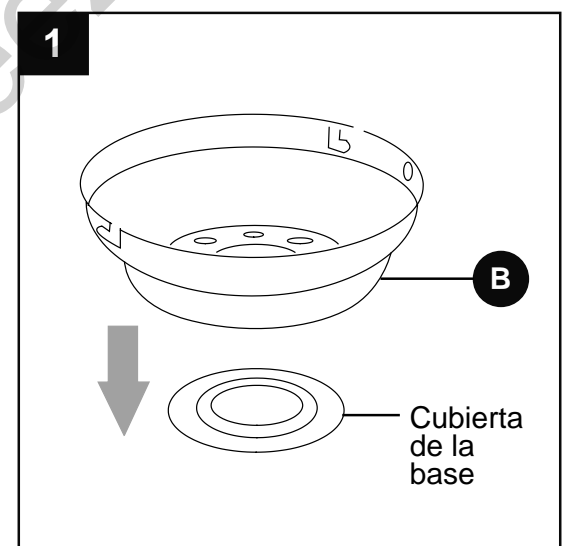
Continúe con las instrucciones de "Cableado" de la página 33.



ESTILO DE MONTAJE CERRADO DEL VENTILADOR

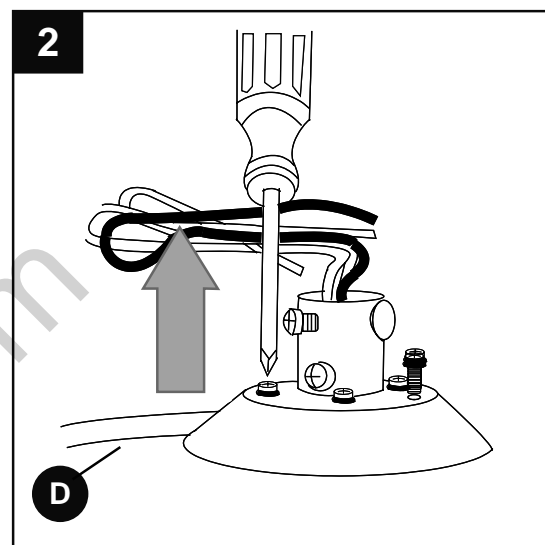
- Retire cubierta de la base de la parte inferior de la base (B). [Nota: Es posible que sea necesario usar el extremo del mango de un destornillador para retirar la cubierta de la base golpeando la cubierta de la base desde el interior de la base]. (Fig. 1)

***Consejo útil:** El estilo de montaje cerrado es más adecuado para los techos de menos de 2,44 m (8 pies) de alto. La varilla (A), la bola para colgar, la cubierta de la horquilla (E) y la cubierta de la base no se utilizan en este tipo de instalación.

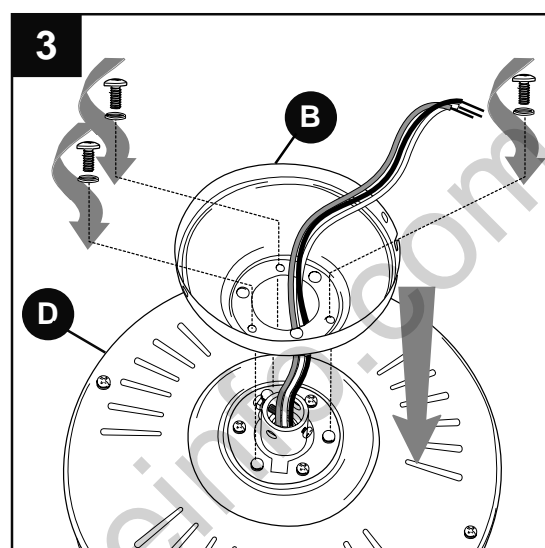


ESTILO DE MONTAJE CERRADO DEL VENTILADOR

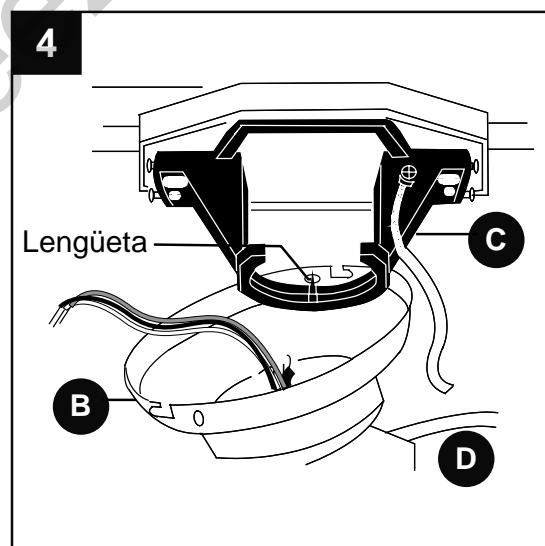
2. Si es necesario, retire todos los otros tornillos y las arandelas de seguridad de la parte superior de la carcasa del motor (D). (Si sólo hay tres tornillos y arandelas de seguridad en la parte superior de la carcasa del motor (D), los otros tres tornillos y arandelas de seguridad estarán ubicados en uno de los paquetes de aditamentos). (Fig. 2)



3. Pase los cables a través el orificio en el centro de la base (B) y fije la base (B) a la carcasa del motor (D) con los tres tornillos y las tres arandelas de seguridad mencionadas anteriormente en el Paso 2. (Fig. 3)



4. Cuelgue la carcasa del motor (D) en la lengüeta de la abrazadera de montaje (C) con uno de los orificios *sin ranura* de la base (B). (Fig. 4)



CABLEADO

⚠️ ADVERTENCIA: Para reducir el riesgo de incendios, descargas eléctricas o lesiones personales, los conectores de cables incluidos con este ventilador están diseñados para soportar sólo un cable interior de calibre 12 y dos cables conductores del ventilador. Si el cable interior es de un calibre superior a 12 o hay más de un cable interior para conectar los dos cables conductores del ventilador, pregúntele a un electricista cuál es el tamaño adecuado de los conectores de cables que debe utilizar.

⚠️ PRECAUCIÓN: Asegúrese de que la caja de salida tenga la debida puesta a tierra y de que haya un conductor (verde o desnudo) de puesta a tierra.

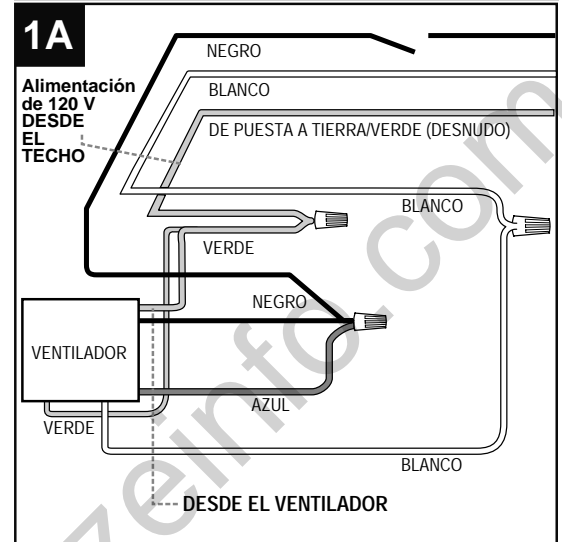
⚠️ ADVERTENCIA: Si los cables de la casa no tienen los mismos colores que se mencionan en los siguientes pasos, deténgase de inmediato. Se recomienda que un electricista profesional determine el cableado adecuado.

1. Escoja el diagrama de cableado (Fig. 1A, Fig. 1B o Fig. 1C) que se ajuste a su situación y realice las conexiones del cableado adecuadas como se indica a continuación: **[NOTA:** Para cada conexión de cables a continuación, utilice uno de los conectores de cables (CC) provistos, asegurándose de atornillar el conector de cable (CC) en dirección de las manecillas del reloj].

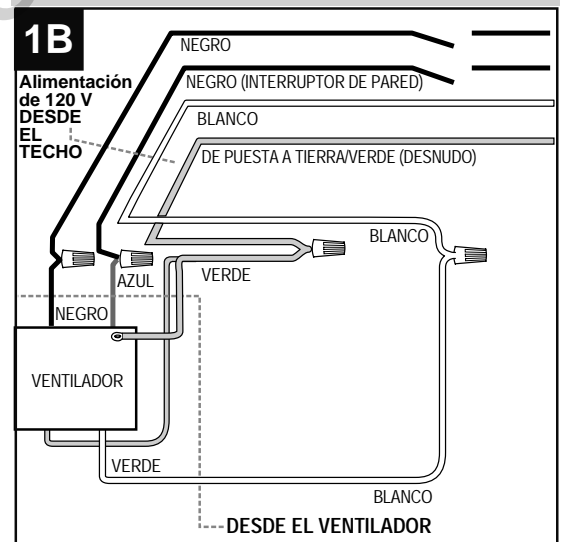
1A. VENTILADOR Y LUZ CONTROLADOS POR CADENAS DE TIRO: Conecte los conductores **NEGRO** y **AZUL** del ventilador al conductor **NEGRO** del techo. Conecte el conductor **BLANCO** del ventilador al conductor **BLANCO** del techo. Conecte todos los conductores de **PUESTA A TIERRA (VERDES)** juntos desde el ventilador (en la varilla [A] y abrazadera de montaje [C]) con el conductor **DESNUDO** o **VERDE** del techo. (Fig. 1A)

1B. VENTILADOR CONTROLADO POR CADENA DE TIRO Y LUZ CONTROLADA POR INTERRUPTOR DE PARED: Si desea controlar la luz del ventilador con un interruptor de pared separado, conecte el conductor **NEGRO** del ventilador con el conductor **NEGRO** del techo. Conecte el conductor **AZUL** del ventilador al conductor **NEGRO** del interruptor de pared independiente para la luz. Conecte el conductor **BLANCO** del ventilador al conductor **BLANCO** del techo. Conecte todos los conductores de **PUESTA A TIERRA (VERDES)** juntos desde el ventilador (en la varilla [A] y abrazadera de montaje [C]) con el conductor **DESNUDO** o **VERDE** del techo. (Fig. 1B)

VENTILADOR Y LUZ CONTROLADOS POR CADENAS DE TIRO



VENTILADOR CONTROLADO POR CADENA DE TIRO Y LUZ CONTROLADA POR INTERRUPTOR DE PARED



1C. VENTILADOR Y LUZ CONTROLADOS POR DOS INTERRUPTORES DE PARED: Si desea controlar el ventilador y la luz con interruptores de pared separados, conecte el conductor **NEGRO** del ventilador al conductor **NEGRO** del interruptor de pared independiente para el ventilador. Conecte el conductor **AZUL** del ventilador al conductor **NEGRO** del otro interruptor de pared independiente para la luz. Conecte el conductor **BLANCO** del ventilador al conductor **BLANCO** del techo. Conecte todos los conductores de **PUESTA A TIERRA (VERDES)** juntos desde el ventilador (en la varilla [A] y abrazadera de montaje [C]) con el conductor **DESNUDO** o **VERDE** del techo. (Fig. 1C)

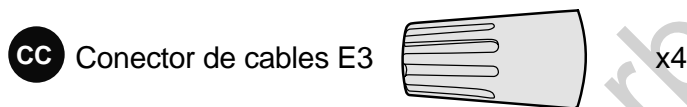
NOTA: El conductor negro es el que proporciona alimentación al ventilador. El conductor azul es el que proporciona alimentación al kit de iluminación. El conductor blanco es el conductor común para el ventilador y el kit de iluminación. El conductor verde o desnudo es la puesta a tierra.

- Envuelva con cinta aislante cada conector de cable (CC) individual hacia abajo del cable como se muestra en la Fig. 2.

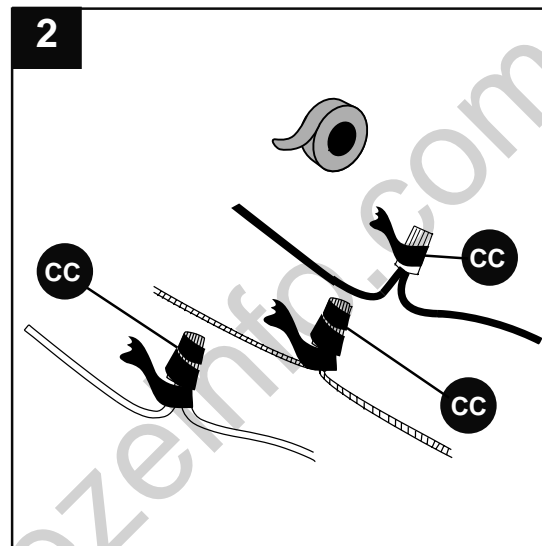
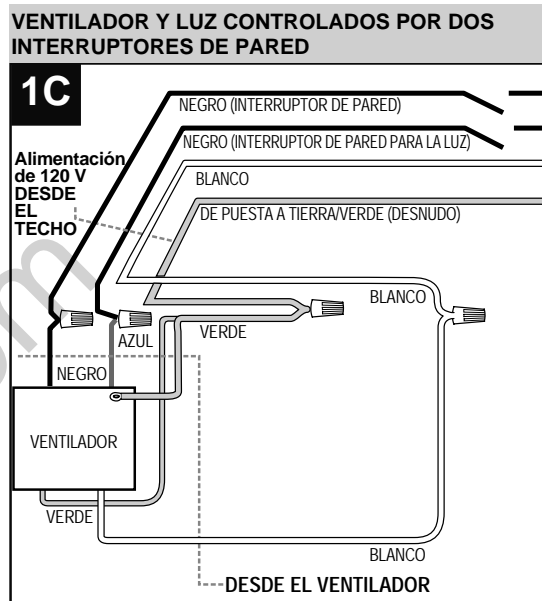
⚠ ADVERTENCIA: Asegúrese de que no haya conductores desnudos ni filamentos de conductores visibles después de hacer la conexión. Coloque las conexiones verdes y blancas en el lado opuesto de las conexiones negras y azules de la caja (si corresponde).

Gire los conductores empalmados o cubiertos con cinta hacia arriba y empuje suavemente los conductores y los conectores de cables (CC) hacia dentro de la caja de salida.

Aditamentos utilizados

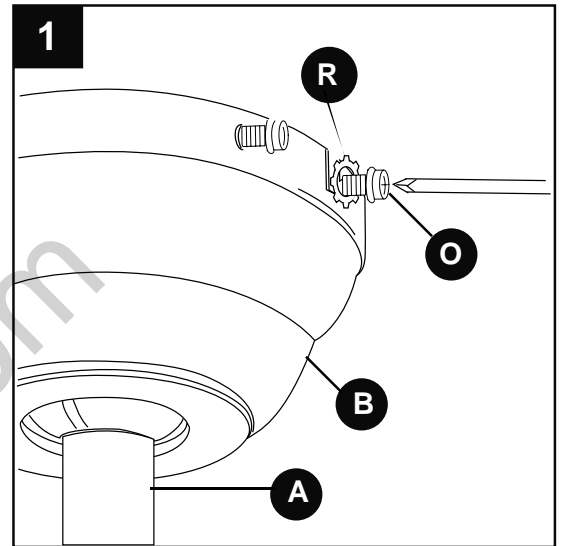


- IMPORTANTE:** El uso de un regulador de intensidad de rango completo para controlar la velocidad del ventilador provocará un zumbido intenso del ventilador. Para reducir el riesgo de incendios o descargas eléctricas, **NO** use un regulador de intensidad de rango completo para controlar la velocidad del ventilador. (Fig. 3)

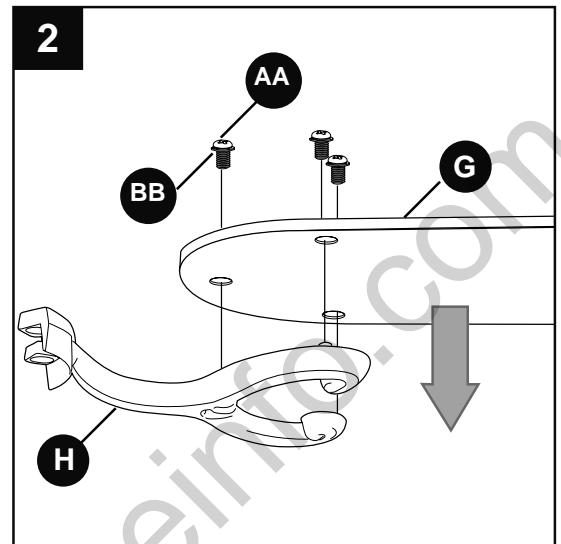


INSTALACIÓN FINAL


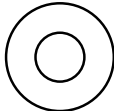
1. Levante temporalmente la base (B) hacia la abrazadera de montaje (C) para determinar cuáles son los dos tornillos de montaje de la base (O) en la abrazadera de montaje (C) que se alinean con los orificios ranurados en la base (B) y afloje parcialmente estos dos tornillos de montaje de la base (O). Retire los otros dos tornillos de montaje de la base (O) y las arandelas de estrella (R). Ahora, levante la base (B) hacia la abrazadera de montaje (C) nuevamente, alineando los orificios ranurados en la base (B) con los tornillos de montaje de la base (O) aflojados de la abrazadera de montaje (C). Gire la base (B) para fijarla. Vuelva a insertar los tornillos de montaje de la base (O) junto con las arandelas de estrella (R) que retiró anteriormente. Apriete firmemente todos los tornillos de montaje de la base (O). (Fig. 1)



2. Inserte parcialmente tres tornillos para las aspas (AA), junto con tres arandelas de fibra para las aspas (BB) para fijar un brazo del aspa (H) a un aspa (G). Luego, apriete cada uno de los tornillos para las aspas (AA), comenzando por el que está en el centro. (Fig. 2) Repita el procedimiento para las aspas restantes (G).

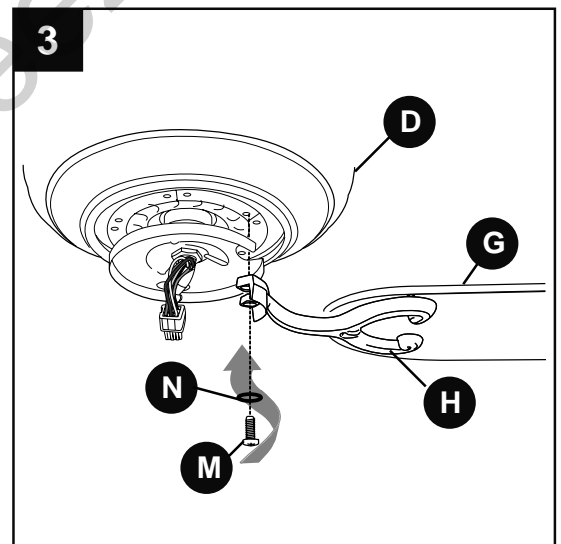


Aditamentos utilizados

AA	Tornillo del aspa		x15
BB	Arandela para aspa de fibra		x15

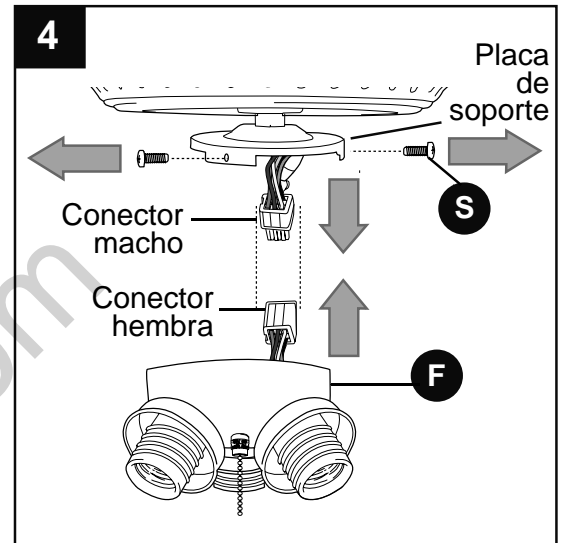
3. Localice los tornillos del motor (M) y las arandelas de seguridad (N) que retiró en el Paso 5 en la página 29.

Inserte dos tornillos para el motor (M), junto con arandelas de seguridad (N) a través de un brazo de aspa (H) para fijar el brazo del aspa (H) a la carcasa del motor (D). [Nota: Use la abertura de la placa de soporte para facilitar el acceso a los orificios del motor]. Apriete bien los tornillos del motor (M). (Fig. 3) Repita con los brazos para aspa restantes (H), procurando asegurar completamente cada brazo para aspa (H) antes de proceder con el siguiente.

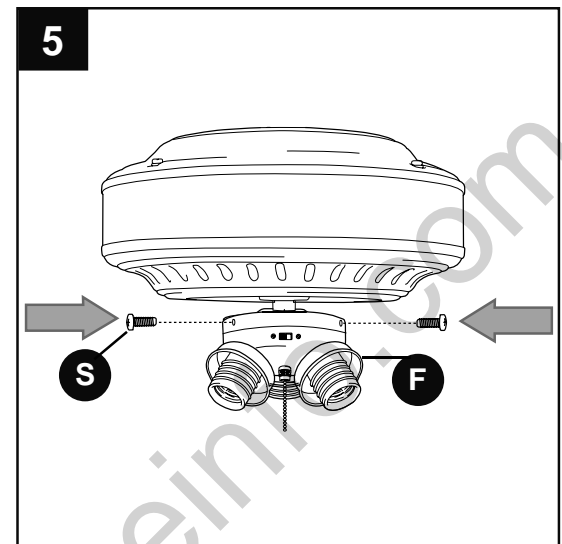


INSTALACIÓN FINAL

4. Retire tres tornillos de la placa de soporte (S) de la placa de soporte (en la parte inferior del motor). Conecte el enchufe macho de la carcasa del motor (D) al enchufe hembra del soporte del kit de iluminación (F), haciendo combinar los colores del enchufe macho con los del enchufe hembra para un ajuste correcto. (Fig. 4) Asegúrese de que los enchufes estén firmemente conectados.

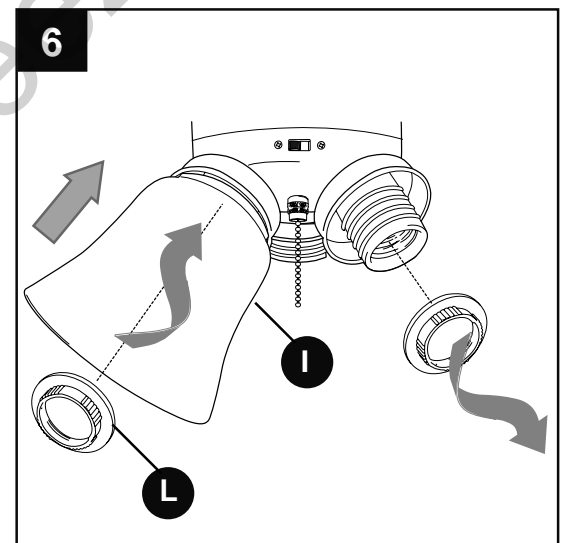


5. Alinee los orificios del soporte del kit de iluminación (F) con los orificios de la placa de soporte. Vuelva a insertar los tornillos de la placa de soporte (S) que retiró en el paso anterior. (Fig. 5) Utilice un destornillador Phillips para asegurar todos los tornillos de la placa de soporte (S).



6. Retire los anillos del portalámpara (L) del portalámpara. Fije las pantallas de vidrio (I) con los mismos anillos del portalámpara (L). (Fig. 6)

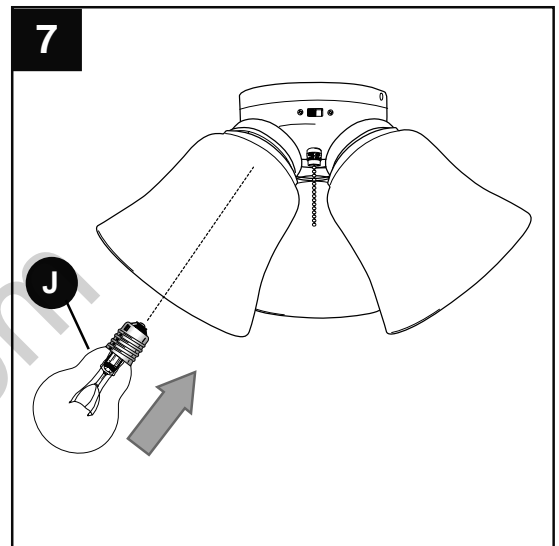
Nota: No apriete demasiado los anillos de los portalámparas (L), ya que el vidrio podría agrietarse o quebrarse.



INSTALACIÓN FINAL

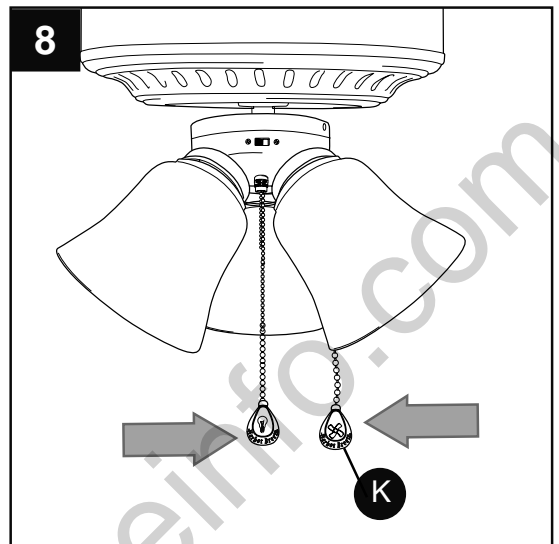
7. Instale las tres bombillas de base candelabro de 60 vatios como máximo (J) incluidas. (Fig. 7)

Importante: Cuando necesite reemplazar las bombillas, deje que pase un tiempo para que la(s) bombilla(s) y el kit de iluminación se enfríen antes de tocar la(s) bombilla(s) o el kit de iluminación.



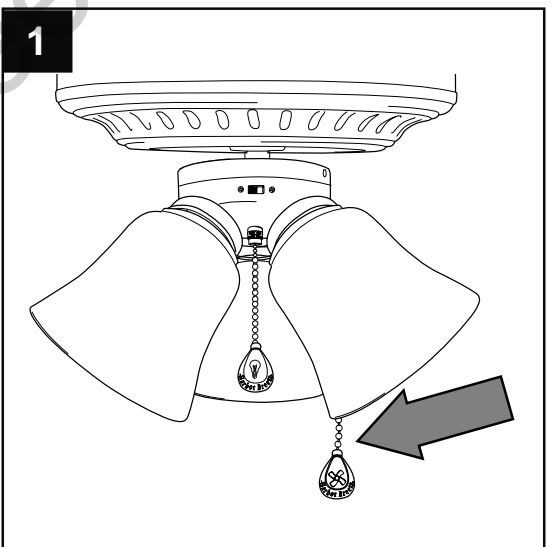
8. Las extensiones de la cadena de tiro (K) que se suministran en uno de los paquetes de aditamentos o las extensiones para cadenas de tiro a medida (se venden por separado) se pueden fijar a las cadenas de tiro del ventilador y la luz. (Fig. 8)

NOTA: Este ventilador es adaptable para control remoto (el control remoto se vende por separado).



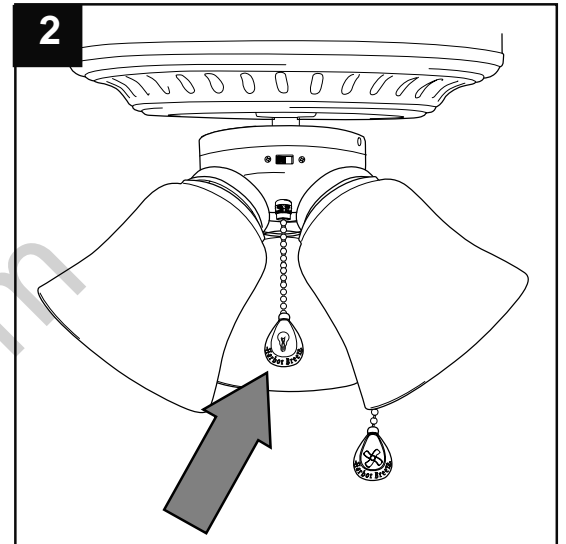
INSTRUCCIONES DE FUNCIONAMIENTO

1. La cadena de tiro marcada como FAN (VENTILADOR) tiene cuatro posiciones para controlar la velocidad del **ventilador**. Jale una vez para la posición HIGH (ALTA); dos para la posición MEDIUM (MEDIA); tres para la posición LOW (BAJA); y cuatro para la posición OFF (APAGADO) que apaga el ventilador. (Fig. 1)



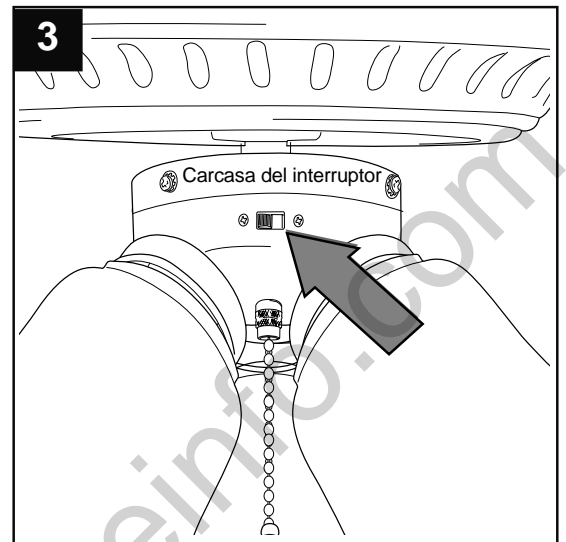
INSTRUCCIONES DE FUNCIONAMIENTO

2. La cadena de tiro marcada como "LIGHT" (LUZ) se utiliza para ENCENDER o APAGAR las **luces**. (Fig. 2)



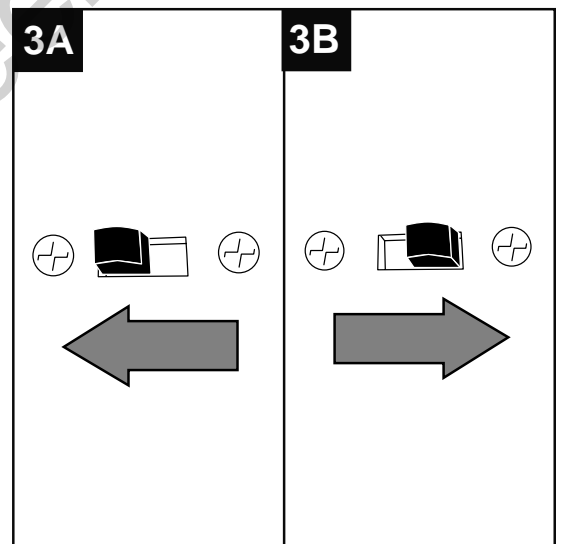
3. Utilice el interruptor de reversa del ventilador, ubicado en la carcasa del interruptor, para optimizar el rendimiento de su ventilador según la estación del año. (Fig. 3) Un ventilador de techo le permitirá elevar la configuración de su termostato en verano y disminuirla en invierno, sin sentir una diferencia en su comodidad.

Nota: Espere a que el ventilador se detenga antes de mover el interruptor de reversa.



3A. En climas más **cálidos**, la configuración del interruptor de reversa en la posición LEFT (IZQUIERDA) creará un flujo de aire descendente que generará un efecto de viento refrescante. (Fig. 3A)

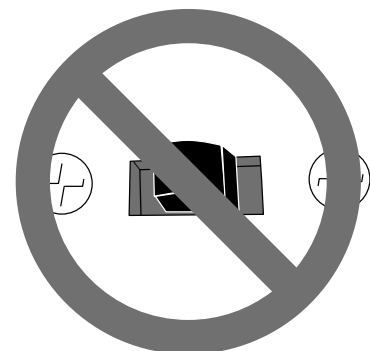
3B. En climas más **fríos**, la configuración del interruptor de reversa en la posición RIGHT (DERECHA) creará un flujo de aire ascendente que puede ayudar a mover el aire caliente estancado fuera del área del techo. (Fig. 3B)



INSTRUCCIONES DE FUNCIONAMIENTO

3C. **IMPORTANTE:** El interruptor de reversa se debe configurar ya sea **completamente** HACIA LA IZQUIERDA o **completamente** HACIA LA DERECHA para que funcione el ventilador. Si el interruptor de reversa se configura en la posición del medio (Fig. 3C), el ventilador no funcionará.

3C



CUIDADO Y MANTENIMIENTO

Al menos dos veces al año, baje la base (B) para revisar en ensamble de la varilla (A) y luego apriete todos los tornillos en el ventilador. Limpie la carcasa del motor (D) sólo con un cepillo suave o un paño que no produzca pelusas para evitar rayar el acabado. Limpie las aspas (G) con un paño que no produzca pelusas. De vez en cuando puede aplicar una fina capa de cera para muebles en las aspas de madera para darles más protección.

Importante: Antes de realizar cualquier trabajo de mantenimiento, desconecte el suministro de electricidad. No utilice agua ni un paño húmedo para limpiar el ventilador de techo.

SOLUCIÓN DE PROBLEMAS

Si tiene preguntas relacionadas con el producto, llame al Departamento de Servicio al Cliente al **1-800-527-1292**, de lunes a viernes de 8:30 a.m. a 5 p.m., hora central estándar.

⚠ Advertencia: Antes de comenzar cualquier trabajo, desconecte el suministro de electricidad para evitar descargas eléctricas.

PROBLEMA	CAUSA POSIBLE	ACCIÓN CORRECTIVA
El ventilador no se mueve.	<ol style="list-style-type: none"> 1. El interruptor de reversa no está activado. 2. No hay alimentación eléctrica o hay un fusible quemado. 3. La conexión de los cables es incorrecta. 4. Los enchufes no están conectados apropiadamente. 	<ol style="list-style-type: none"> 1. Mueva firmemente el interruptor hacia la derecha o hacia la izquierda. 2. Conecte la alimentación eléctrica o revise el fusible. 3. Desconecte la alimentación. Afloje la base (B) y revise todas las conexiones. 4. Verifique que los enchufes macho y hembra en el soporte del kit de iluminación (F) estén bien conectados de acuerdo con las instrucciones de la página 36.
El funcionamiento es ruidoso.	<ol style="list-style-type: none"> 1. Las aspas (G) están sueltas. 2. Hay un aspa (G) partida. 3. Se está utilizando un regulador de intensidad de rango completo. 	<ol style="list-style-type: none"> 1. Apriete todos los tornillos de las aspas (AA). 2. Reemplace el aspa (G). 3. Reemplace por un dispositivo de control de velocidad autorizado.

SOLUCIÓN DE PROBLEMAS

PROBLEMA	CAUSA POSIBLE	ACCIÓN CORRECTIVA
El funcionamiento es ruidoso.	4. El ventilador es nuevo.	4. Permita que el ventilador tenga un período de asentamiento de un par de días, especialmente al encender el ventilador a velocidades media y alta.
Hay un tambaleo excesivo.	<ol style="list-style-type: none"> 1. Las aspas (G) están sueltas. 2. Los brazos de las aspas (H) no están fijados correctamente. 3. Las aspas (G) no están equilibradas. 4. El ventilador no está bien montado. 5. El ventilador está demasiado cerca del techo de bóveda. 6. Hay uno o más tornillos de fijación en la horquilla de la carcasa del motor que no están apretados correctamente. 7. El tornillo de fijación en la bola para colgar no está bien apretado. 	<ol style="list-style-type: none"> 1. Apriete todos los tornillos de las aspas (AA). 2. Vuelva a instalar los brazos de las aspas (F). 3. Intercambie un aspa (G) con otra del lado opuesto. 4. Desconecte la alimentación. Afloje cuidadosamente la base (B) y verifique que la abrazadera de montaje (C) esté asegurada. 5. Utilice una varilla (A) más larga o mueva el ventilador a otra ubicación. 6. Apriete firmemente el(los) tornillo(s) de fijación de la horquilla. 7. Afloje y baje cuidadosamente la base (B) y verifique que el tornillo de fijación de la bola para colgar esté bien apretado.
El ventilador funciona pero las luces fallan.	<ol style="list-style-type: none"> 1. Las bombillas no están bien instaladas. 2. Los conductores de la base (B) no están bien conectados. 3. El interruptor de pared del ventilador está apagado. 4. Los enchufes no están conectados apropiadamente. 5. El kit de iluminación cuenta con lámparas de más de los 190 vatios permitidos, lo que provoca que el dispositivo de control de vataje interrumpa el flujo de electricidad hacia el kit de iluminación. 	<ol style="list-style-type: none"> 1. Vuelva a instalar las bombillas. 2. Revise los conductores de la base (B) y, si es necesario, vuelva a conectarlos de acuerdo con las instrucciones de las páginas 33 y 34. 3. Asegúrese de que el interruptor de pared del ventilador esté en la posición de encendido. 4. Verifique que los enchufes macho y hembra en el soporte del kit de iluminación (F) estén bien conectados de acuerdo con las instrucciones de la página 36. 5. Kit de iluminación de la lámpara con bombillas que no suman más de 190 vatios.

Nota: Una pequeña cantidad de "tambaleo" es normal y no se debe considerar como un defecto.

GARANTÍA

GARANTÍA LIMITADA DE POR VIDA: Litex Industries garantiza que este ventilador no presenta defectos de fabricación ni en los materiales presentes en el momento del transporte desde la fábrica durante un período limitado de por vida a partir de la fecha de compra. Esta garantía es válida sólo para el comprador original. Litex Industries acepta reparar cualquier defecto sin cargo o, según nuestro criterio, reemplazar el ventilador de techo por un modelo comparable o superior.

Para obtener el servicio de garantía, presente una copia del recibo de venta como comprobante de la compra. Todos los costos de extracción y reinstalación son responsabilidad absoluta del comprador. Cualquier daño al ventilador de techo producido por accidente, uso indebido o instalación incorrecta, o por el uso de piezas no producidas por el fabricante de este ventilador o accesorios de fijación que no son del fabricante de este ventilador, será responsabilidad del comprador. Litex Industries no asume ningún tipo de responsabilidad por la instalación del ventilador durante la garantía limitada de por vida. Cualquier servicio realizado por una persona no autorizada invalidará la garantía.

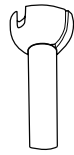
Debido a las cambiantes condiciones climáticas, esta garantía no cubre cambios en el acabado de latón, óxido, picaduras, deslustre, corrosión o descascarado. Los ventiladores con acabado de latón mantienen su belleza cuando se les protege de las cambiantes condiciones climáticas. La garantía no cubre los elementos de vidrio incluidos con este ventilador.

Cualquier reemplazo de piezas defectuosas para el ventilador de techo debe informarse dentro del primer año a partir de la fecha de compra. Para conocer el saldo de la garantía, llame a nuestro Departamento de Servicio al Cliente (al **1-800-527-1292**) para obtener la autorización para la devolución y las instrucciones de envío, de modo que podamos reparar o reemplazar el ventilador de techo. Un ventilador o piezas devueltas con un embalaje incorrecto son de responsabilidad única del comprador. No existe otro tipo de garantía explícita. Litex Industries rechaza cualquiera y todas las garantías implícitas. La duración de cualquier garantía implícita que no pueda rechazarse se limita al período limitado de por vida especificado en nuestra garantía. Litex Industries no será responsable de daños accidentales, resultantes o especiales que surjan en relación con el uso o el funcionamiento del producto, excepto que la ley indique lo contrario. Esta garantía le otorga derechos legales específicos, pero podría tener también otros derechos que varían según el estado. Esta garantía sustituye cualquier garantía previa.

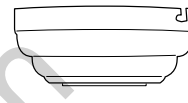
LISTA DE PIEZAS DE REPUESTO

Para obtener piezas de repuesto, llame a nuestro Departamento de Servicio al Cliente al **1-800-527-1292**, de lunes a viernes de 8:30 a.m. a 5:00 p.m., hora central estándar. Cuando pida piezas, tenga a mano el # de modelo o # de artículo del ventilador, los que aparecen en la página 22.

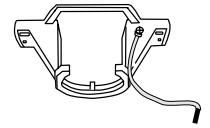
PIEZA	DESCRIPCIÓN
A	Varilla
B	Base
C	Abrazadera de montaje
E	Cubierta de la horquilla
F	Soporte del kit de iluminación
G	Aspa
H	Brazo del aspa
I	Pantalla de vidrio
K	Extensión para la cadena de tiro
L	Anillo del portalámpara
M	Tornillo del motor
N	Arandela de seguridad
O	Tornillo de montaje de la base
P	Pasador
Q	Sujetador
R	Arandela de estrella
S	Tornillo para la placa de soporte
AA	Tornillo del aspa
BB	Arandela para aspa de fibra
CC	Conector de cables E3



A



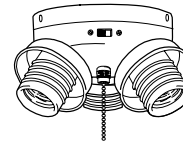
B



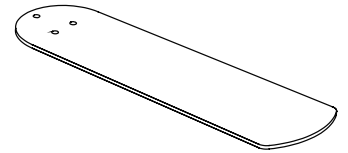
C



E



F



G



H



I



K



L



M



N



O



P



Q



R



S



AA



BB



CC