



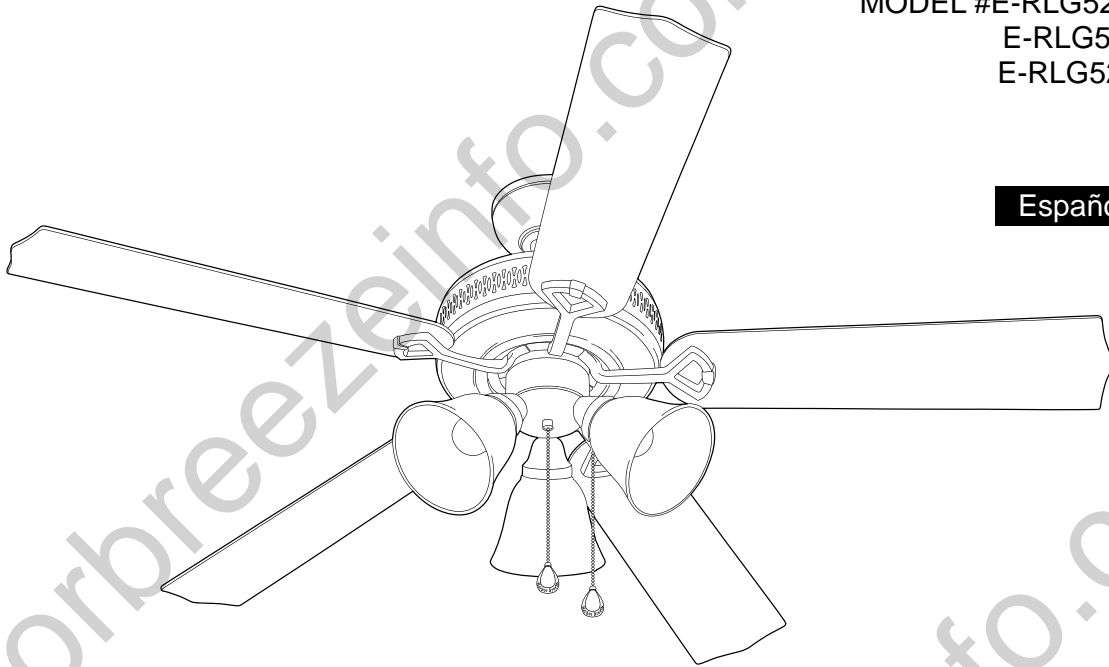
ITEM #0593742
0648637
0648638

Harbor Breeze® is a registered trademark of LF, LLC. All Rights Reserved.

BARNSTAPLE BAY CEILING FAN

MODEL #E-RLG52NWZ5C
E-RLG52WW5C
E-RLG52BNK5C

Español p. 19



harborbreezeinfo.com



4010239

ATTACH YOUR RECEIPT HERE

Serial Number _____ Purchase Date _____



Questions, problems, missing parts? Before returning to your retailer, call our customer service department at **1-800-643-0067**, 8 a.m. - 6 p.m., EST, Monday - Thursday, 8 a.m. - 5 p.m., EST, Friday.



Lowes.com/harborbreeze

TABLE OF CONTENTS

Safety Information	2
Package Contents	4
Hardware Contents	5
Preparation	5
Initial Installation	6
Wiring	9
Final Installation	11
Operating Instructions	14
Care and Maintenance	16
Troubleshooting.....	16
Warranty	17
Replacement Parts List	18



SAFETY INFORMATION

READ AND SAVE THESE INSTRUCTIONS

Please read and understand this entire manual before attempting to assemble, install or operate the product.

- Do not discard fan carton or foam inserts. Should this fan need to be returned to the factory for repairs, it must be shipped in its original packaging to ensure proper protection against damage that might exceed the initial cause for return.
- Make sure all electrical connections comply with local codes, ordinances, the National Electrical Code and ANSI/NFPA 70-1999. Hire a qualified electrician or consult a do-it-yourself wiring handbook if you are unfamiliar with installing electrical wiring.
- Make sure the installation site you choose allows a minimum clearance of 7 ft. from the blades to the floor and at least 30 in. from the end of the blades to any obstruction.
- After you install the fan, make sure all connections are secure to prevent the fan from falling.
- The net weight of this fan including the light kit is: 18.74 lbs.



 **SAFETY INFORMATION**

 **DANGER**

When using an existing outlet box, make sure the outlet box is securely attached to the building structure and can support the full weight of the fan. Failure to do this can result in serious injury or death. The stability of the outlet box is essential in minimizing wobble and noise in the fan after installation is complete.

 **WARNING**



To reduce the risk of fire, electrical shock or personal injury, mount fan to outlet box marked "ACCEPTABLE FOR FAN SUPPORT OF 35 LBS. (15.9 KG) OR LESS" and use mounting screws provided with the outlet box. Most outlet boxes commonly used for the support of lighting fixtures are not acceptable for fan support and may need to be replaced. Consult a qualified electrician if in doubt.

When mounting fan to a ceiling outlet box, use a METAL octagonal outlet box; do NOT use a plastic outlet box. Secure the outlet box directly to the building structure. The outlet box and its support must be able to support the moving weight of the fan (at least 35 lbs.).

To avoid personal injury, the use of gloves may be necessary while handling fan parts with sharp edges.

To reduce the risk of fire, electrical shock or personal injury, wire connectors provided with this fan are designed to accept only one 12-gauge house wire and two lead wires from the fan. If your house wire is larger than 12-gauge or there is more than one house wire to connect to the corresponding fan lead wires, consult an electrician for the proper size wire connectors to use.

To reduce the risk of fire or electrical shock, do not use the fan with any solid state speed control device or control fan speed with a full range dimmer switch.

To reduce the risk of fire, electrical shock or personal injury, do not bend the blade arms when installing them, balancing the blades or cleaning the fan. Do not insert objects between the rotating fan blades.

To reduce the risk of personal injury, use ONLY parts provided with this fan. The use of parts OTHER than those provided with this fan will void the warranty.

Before installation, be sure to shut off electricity at main switch or circuit breaker in order to avoid electrical shock.

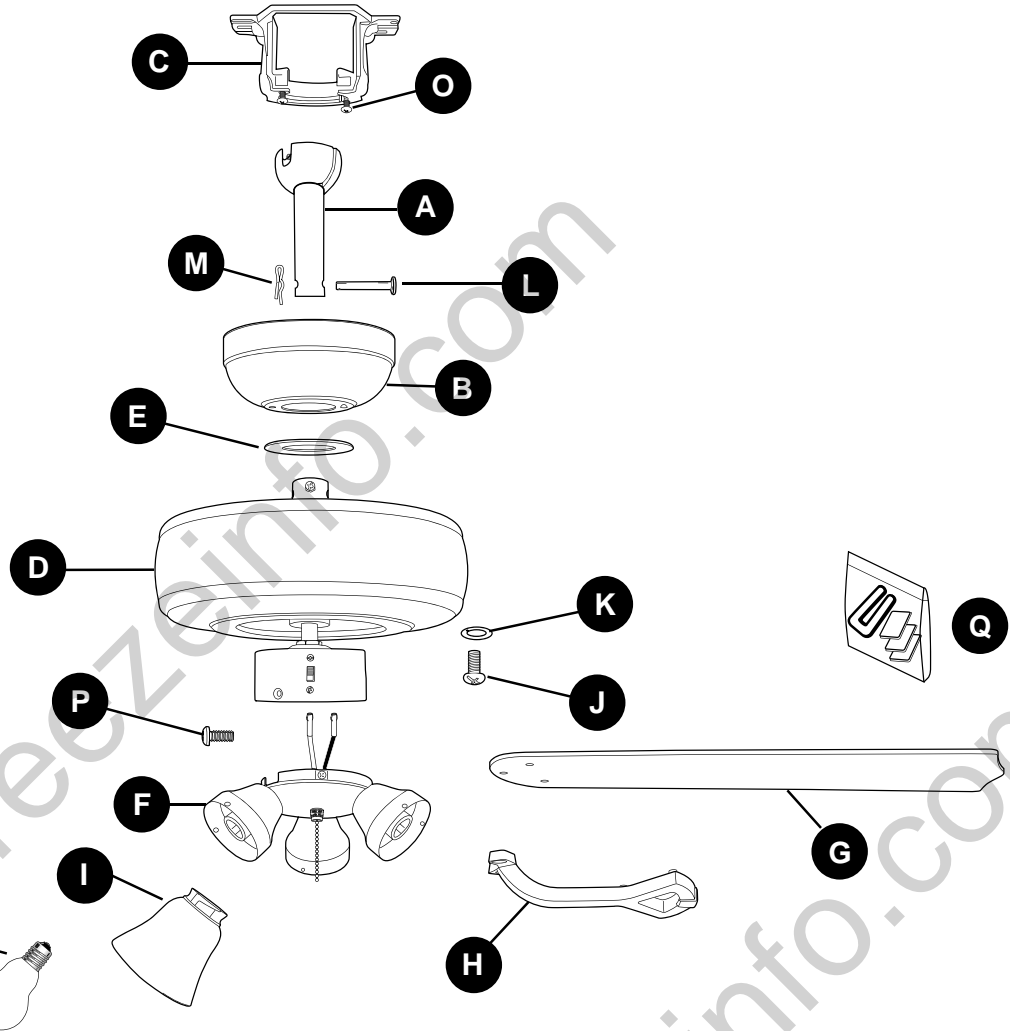
 **CAUTION**

Be sure outlet box is properly grounded and that a ground wire (green or bare) is present.

Before beginning installation, carefully check all screws, bolts and nuts on fan motor assembly to ensure they are secure.



PACKAGE CONTENTS

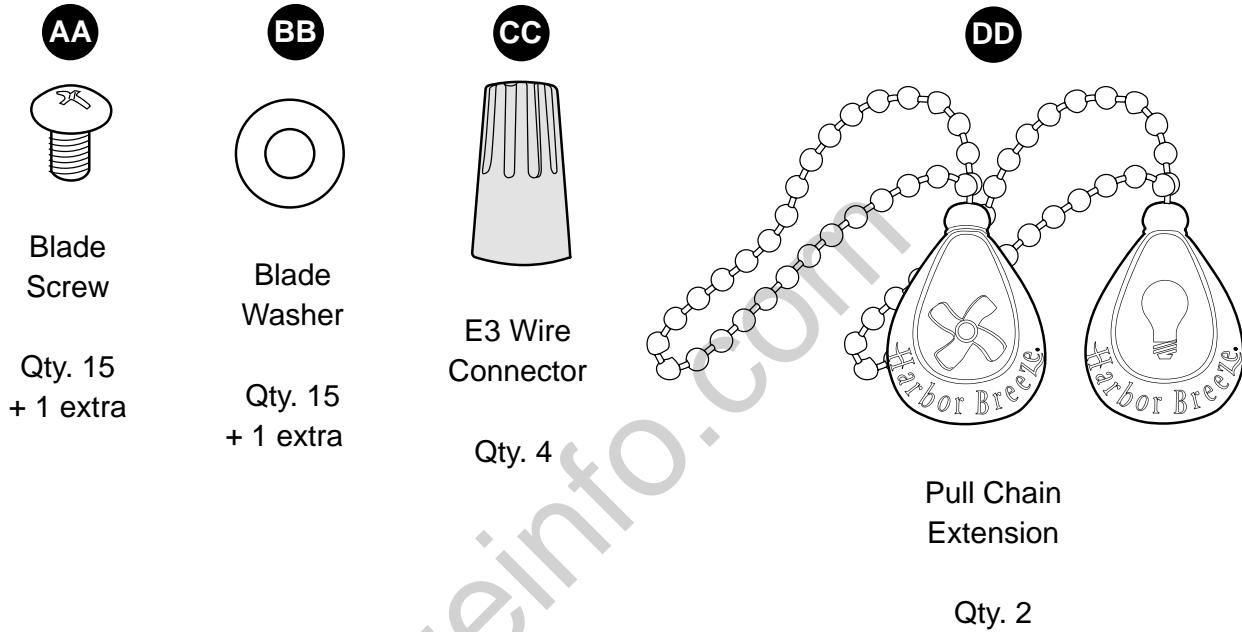


PART	DESCRIPTION	QUANTITY
A	Downrod	1
B	Canopy	1
C	Mounting Bracket	1
D	Motor Housing	1
E	Canopy Cover	1
F	Light Kit Fitter	1
G	Blade	5
H	Blade Arm	5
I	Glass Shade	3
J	Motor Screw (preassembled)	10 + 1 extra

PART	DESCRIPTION	QUANTITY
K	Lock Washer (preassembled)	10 + 1 extra
L	Pin (preassembled)	1
M	Clip (preassembled)	1
N	Bulb	3
O	Canopy Mounting Screw (preassembled)	2
P	Switch Housing Screw (preassembled)	3
Q	Balancing Kit	1

! IMPORTANT: You must use the parts provided with this fan for proper installation and safety.

HARDWARE CONTENTS (shown actual size)



PREPARATION

Before beginning assembly of product, make sure all parts are present. Place motor on carpet or on foam to avoid damage to finish. Compare parts with package contents list and hardware contents list. If any part is missing or damaged, do not attempt to install, operate or assemble the product.

Estimated Assembly Time: 120 minutes

Tools Required for Assembly (not included): Electrical Tape, Phillips Screwdriver, Pliers, Safety Glasses, Stepladder and Wire Strippers

Helpful Tools (not included): AC Tester Light, Tape Measure, Do-It-Yourself Wiring Handbook and Wire Cutters

INITIAL INSTALLATION

1. Turn off circuit breakers or fuse and wall switch to the fan supply line leads.

⚠ DANGER: Failure to disconnect power supply prior to installation may result in serious injury or death.

2. Determine mounting method to use.

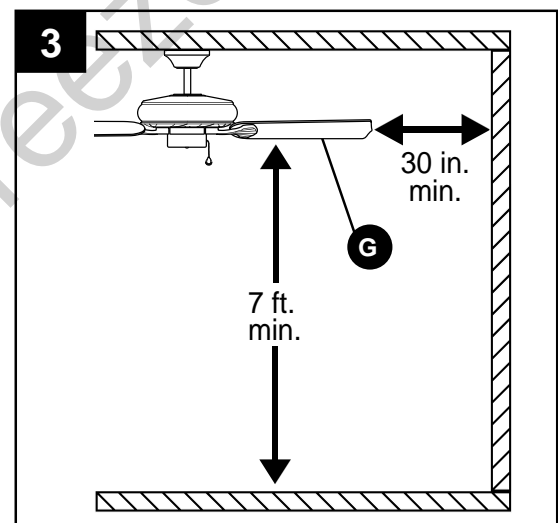
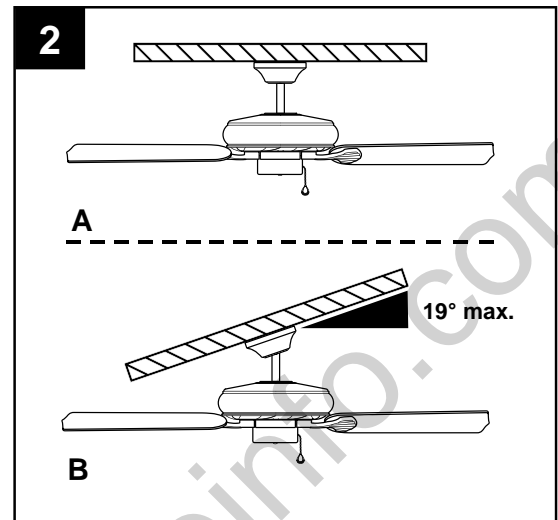
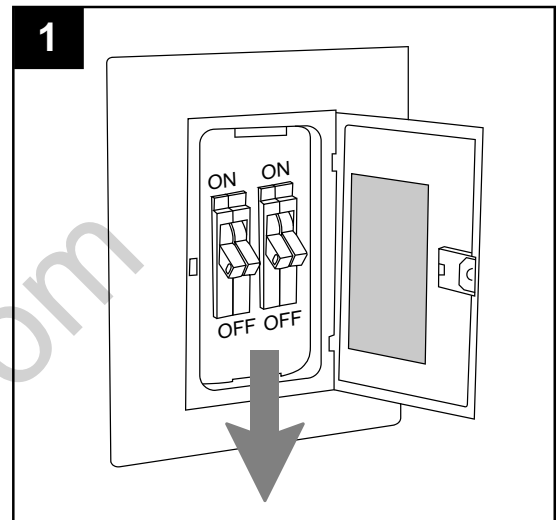
- A. Standard mount
- B. Angle mount

Note: Flushmount and closemount options are not available for this fan.

IMPORTANT: If using the angle mount, ensure the ceiling angle is not steeper than 19°.

***Helpful Hint:** Downrod-style mounting is best suited for ceilings 8 ft. high or higher. For taller ceilings you may want to use a longer downrod (not included). Angle-style mounting is best suited for angled or vaulted ceilings. A longer downrod is sometimes necessary to ensure proper blade clearance.

3. Check to make sure blades (G) will be at least 30 inches from any obstruction. Check downrod (A) length to ensure blades (G) will be at least 7 ft. above the floor.

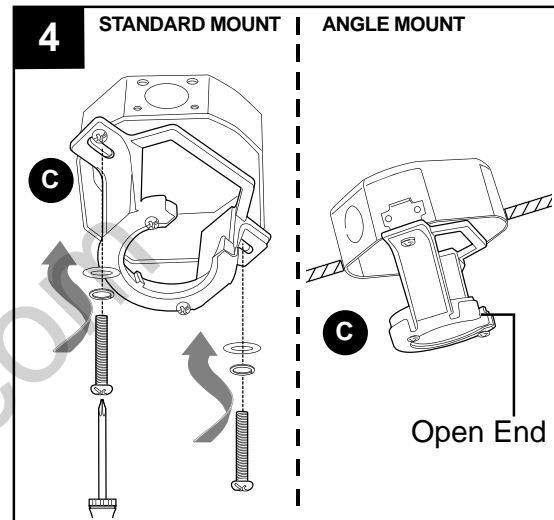


INITIAL INSTALLATION

4. Secure mounting bracket (C) to outlet box (not included) using screws, spring washers and flat washers provided with the outlet box.

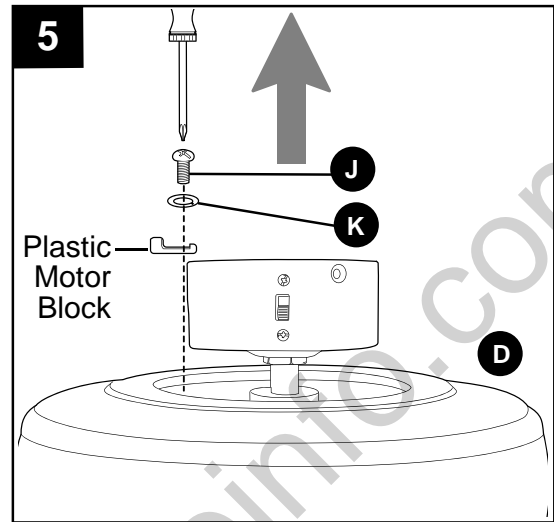
***NOTE:** It is very important you use the proper hardware when installing the mounting bracket (C) as this will support the fan.

IMPORTANT: If using the angle mount, make sure open end of mounting bracket (C) is installed facing the higher point of the ceiling and the ceiling angle is not steeper than 19°.



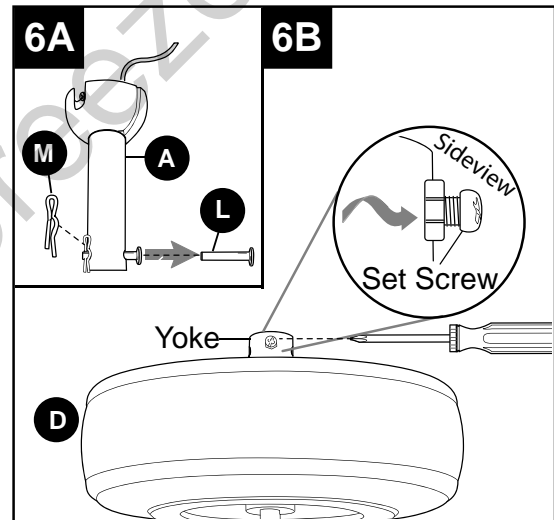
5. Remove preassembled motor screws (J) and lock washers (K) from underside of motor housing (D). If there are plastic motor blocks installed with the motor screws (J), discard the plastic motor blocks.

Note: Make sure to keep loose hardware separate to avoid confusion during installation.



6. Remove pin (L) and clip (M) from downrod (A).

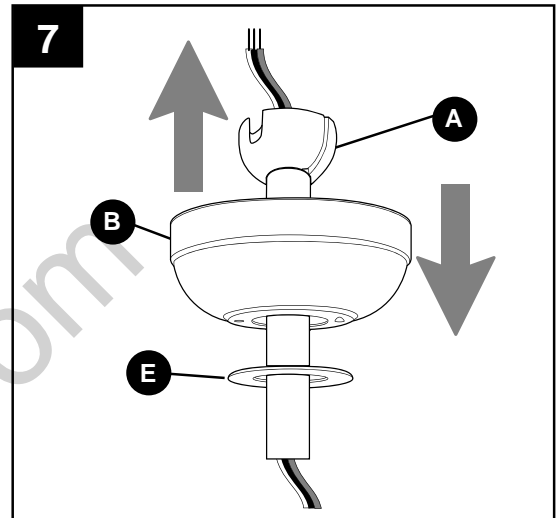
Partially loosen preassembled set screws in yoke at top of motor housing (D).



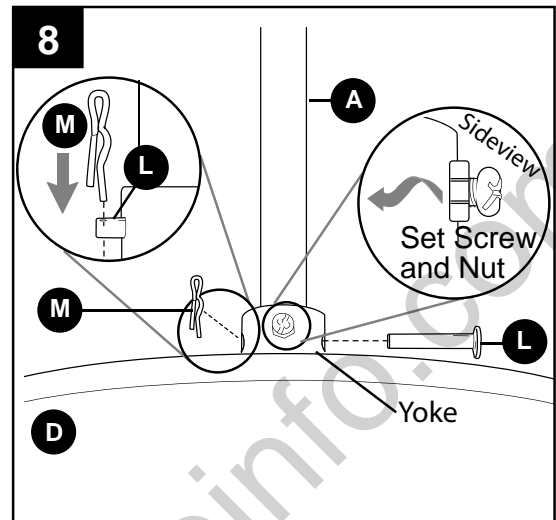
INITIAL INSTALLATION

7. Insert downrod (A) through canopy (B) and canopy cover (E). **NOTE:** Canopy cover (E) must be turned with the shiny side toward the motor housing (D).

Then, thread wires from motor housing (D) through downrod (A).



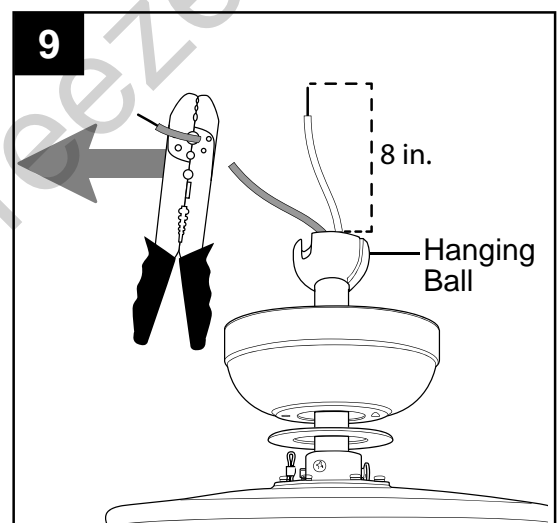
8. Slip downrod (A) into motor housing yoke, align holes and re-install pin (L) and clip (M). Tighten set screws in motor housing yoke and then tighten preassembled nuts on the set screws.



9. Depending on the length of downrod you use, you may need to cut the lead wires back to simplify the wiring. If you decide to cut back the lead wires, it is suggested you do so in the following manner:

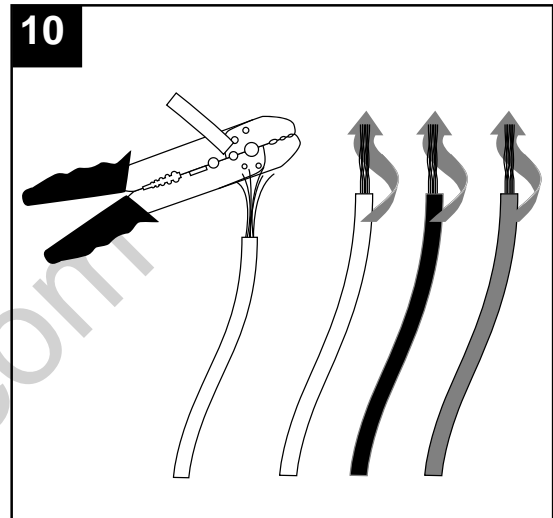
Take the lead wires and make sure you have pulled them all the way through the top of the downrod. Start at the TOP of the hanging ball on the downrod and measure 8 in. of lead wire, and then cut the excess wire off with wire cutters (not included).

NOTE: If you do *not* cut back the lead wires, **Steps 9 and 10 are not necessary and you may proceed to Step 11 instead.**



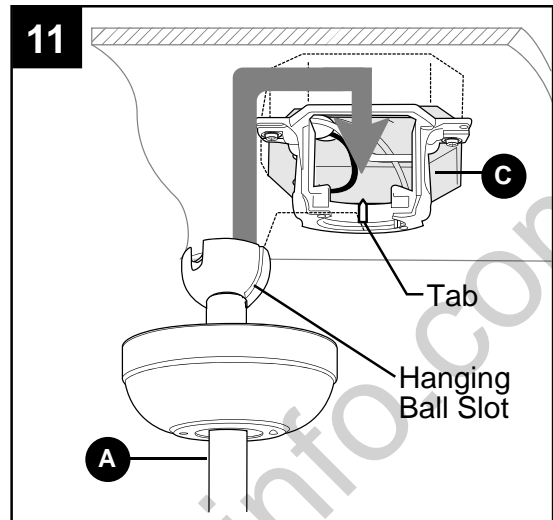
INITIAL INSTALLATION

10. If you decided to cut back the lead wires in Step 9, strip 1/2 in. of insulation from end of each wire -- white, black, green and blue (if applicable). Twist stripped ends of each strand of wire within the insulation with pliers (not included).



11. Install hanging ball of downrod (A) into opening of mounting bracket (C). Align one of the slots in hanging ball with tab in mounting bracket (C).

⚠ DANGER: Failure to align one of the slots in the ball with the tab may result in serious injury or death.



WIRING

⚠ WARNING: To reduce the risk of fire, electrical shock or personal injury, wire connectors provided with this fan are designed to accept only one 12-gauge house wire and two lead wires from the fan. If your house wire is larger than 12-gauge or there is more than one house wire to connect to the corresponding fan lead wires, consult an electrician for the proper size wire connectors to use.

⚠ CAUTION: Be sure outlet box is properly grounded and that a ground (GREEN or BARE) wire is present.

⚠ WARNING: If house wires are different colors than referred to in the following steps, stop immediately. A professional electrician is recommended to determine wiring.

⚠ WARNING: Using a full range dimmer switch (not included) to control fan speed will cause a loud humming noise from fan. To reduce the risk of fire or electrical shock, do NOT use a full range dimmer switch to control fan speed.

NOTE: This fan is remote control adaptable (remote control not included). Please refer to instructions provided with the remote control before proceeding with these wiring instructions.



WIRING

1. Choose wiring diagram (Fig. 1A, Fig. 1B or Fig. 1C) that fits your situation and make appropriate wiring connections as follows: **[IMPORTANT: Use one of the wire connectors (CC) provided to make each wire connection, making sure to screw wire connector (CC) on in a clockwise direction.]**

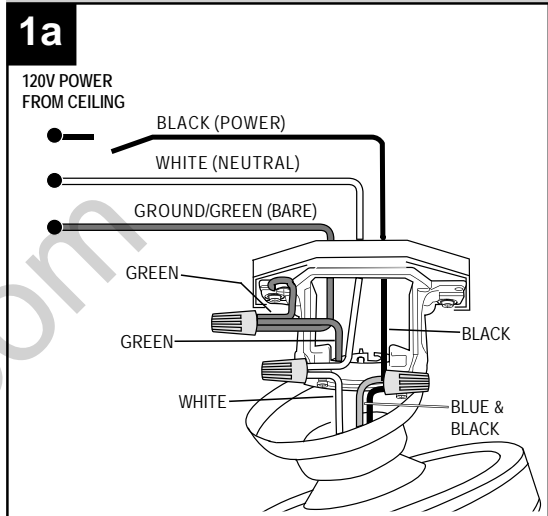
1A. FAN AND LIGHT CONTROLLED BY PULL CHAINS: Connect BLACK and BLUE wire from fan to BLACK wire from ceiling. Connect WHITE wire from fan to WHITE wire from ceiling. Connect GROUND (GREEN) wires from downrod (A) and mounting bracket (C) to BARE/GREEN wire from ceiling.

1B. FAN CONTROLLED BY PULL CHAIN, LIGHT BY WALL SWITCH: Connect BLACK wire from fan to BLACK wire from ceiling. Connect BLUE wire from fan to the BLACK (or RED) wire from the independent wall switch for the light. Connect WHITE wire from fan to WHITE wire from ceiling. Connect GROUND (GREEN) wires from downrod (A) and mounting bracket (C) to BARE/GREEN wire from ceiling.

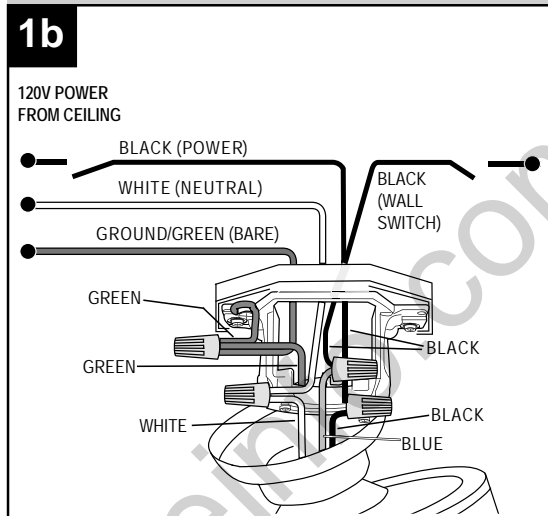
1C. FAN AND LIGHT CONTROLLED BY TWO WALL SWITCHES: Connect BLACK wire from fan to BLACK (or RED) wire from the independent wall switch for the fan. Connect BLUE wire from fan to the BLACK (or RED) wire from the other independent wall switch for the light. Connect WHITE wire from fan to WHITE wire from ceiling. Connect GROUND (GREEN) wires from downrod (A) and mounting bracket (C) to BARE/GREEN wire from ceiling.

NOTE: BLACK wire is hot power for fan. BLUE wire is hot power for light kit. WHITE wire is common for fan and light kit. GREEN or BARE wire is ground.

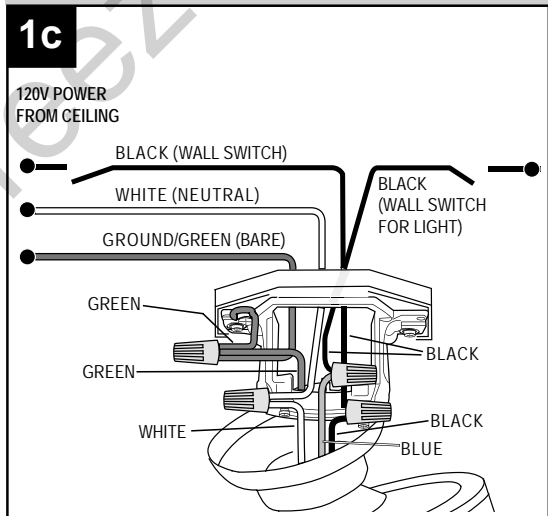
FAN AND LIGHT CONTROLLED BY PULL CHAINS



FAN CONTROLLED BY PULL CHAIN, LIGHT BY WALL SWITCH



FAN AND LIGHT CONTROLLED BY TWO WALL SWITCHES



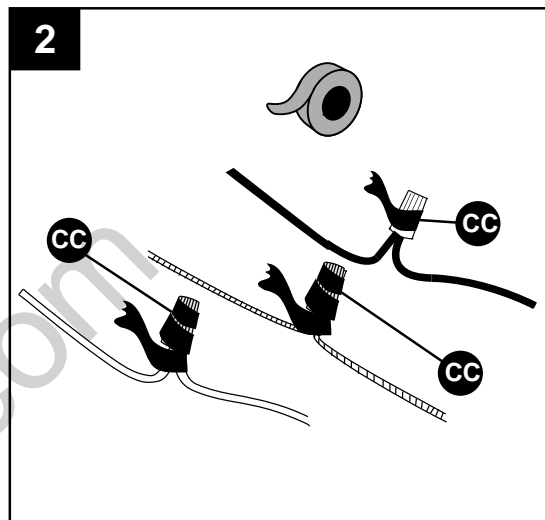
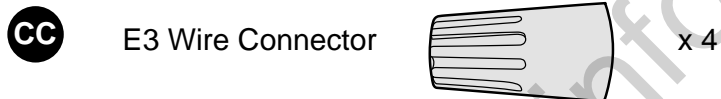
WIRING

2. Wrap electrical tape (not included) around each individual wire connector (CC) down to the wire.

⚠ WARNING: Make sure no bare wire or wire strands are visible after making connections. Place GREEN and WHITE wire connections on the opposite side of the outlet box from the BLACK and BLUE wire connections.

Turn spliced/taped wires upward and gently push wires and wire connectors (CC) into outlet box.

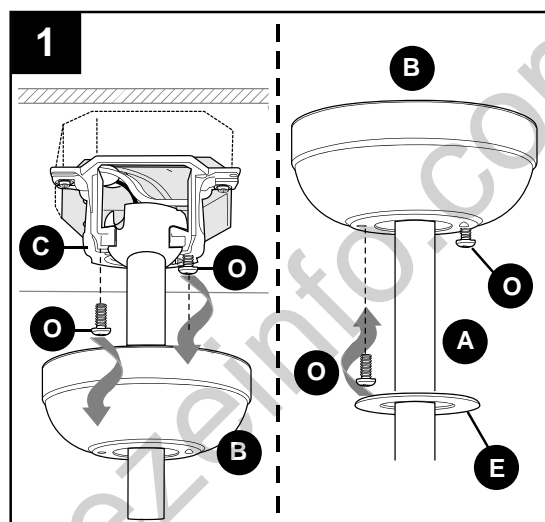
Hardware Used



FINAL INSTALLATION

1. Locate two canopy mounting screws (O) on underside of mounting bracket (C) and remove canopy mounting screw (O) closest to the open end of the mounting bracket (C). Partially loosen the other canopy mounting screw (O).

Then, lift canopy (B) to mounting bracket (C). Place rounded part of slotted hole in canopy (B) over loosened canopy mounting screw (O) and push up. Twist canopy (B) to lock. Re-insert canopy mounting screw (O) that was removed, then tighten both canopy mounting screws (O) securely. Finally, slide canopy cover (E) up to canopy (B), aligning rounded part of slotted holes in canopy cover (E) with screw heads in bottom of canopy (B). Turn canopy cover (E) clockwise until it stops.

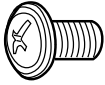
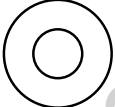


FINAL INSTALLATION

- Partially insert three blade screws (AA) along with three blade washers (BB) into holes in blade (G) to attach blade arm (H) to blade (G). Then, tighten each blade screw (AA) starting with the one in the middle.

Repeat Step 3 for remaining blades (G) and blade arms (H).

Hardware Used

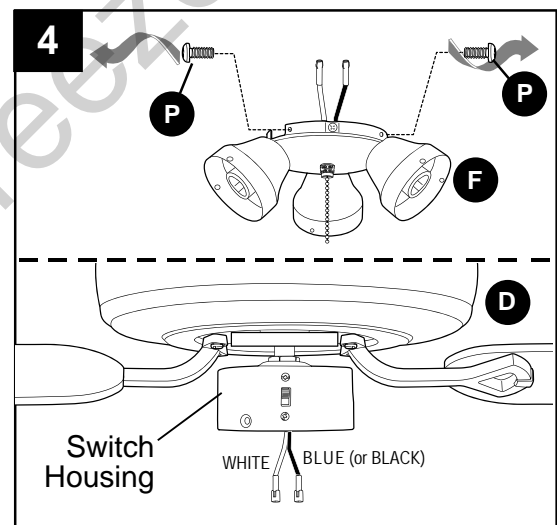
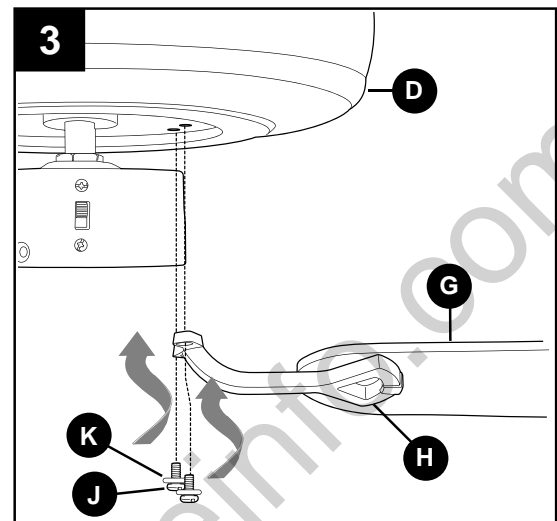
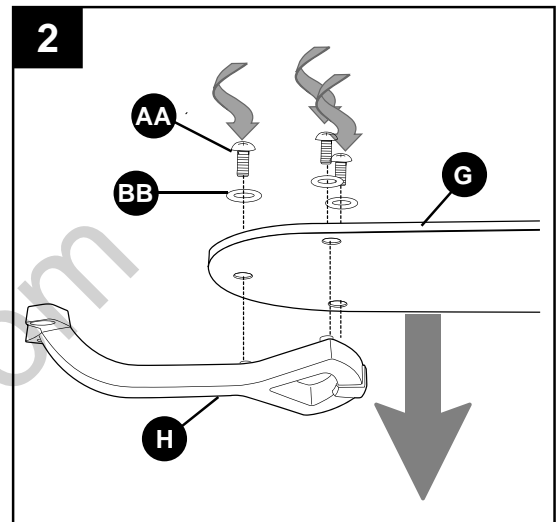
AA	Blade Screw		x 15
BB	Blade Washer		x 15

- Attach blade arms (H) to the bottom of motor housing (D) with motor screws (J) and lock washers (K) previously removed (Step 5, page 7). Tighten motor screws (J) securely.

Note: Make sure to completely secure each blade arm (H) before proceeding to the next.

- Remove the three preassembled switch housing screws (P) from light kit fitter (F).

Locate the BLUE (or BLACK) and WHITE wires in the switch housing preassembled on motor housing (D) that are labeled FOR LIGHT and remove plastic from these two wires.

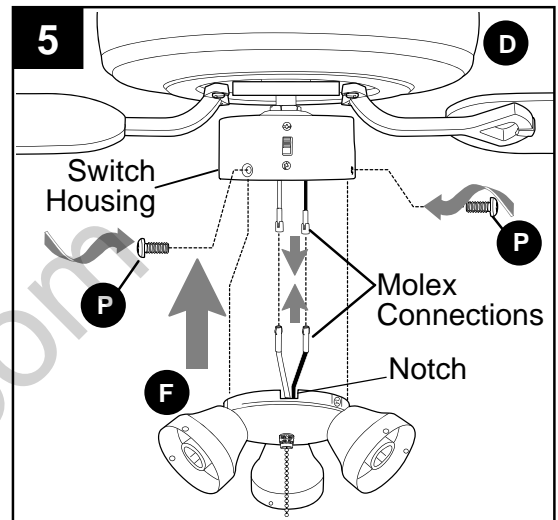


FINAL INSTALLATION

5. Connect WHITE wire from switch housing to WHITE wire from light kit fitter (F). Connect BLUE (or BLACK) wire from switch housing to BLACK wire from light kit fitter (F). Make sure moxex connections are secure.

Align holes in light kit fitter (F) with holes in switch housing. **Note:** Make sure to align notch on top edge of the light kit fitter (F) with the reverse switch on switch housing for the correct fit.

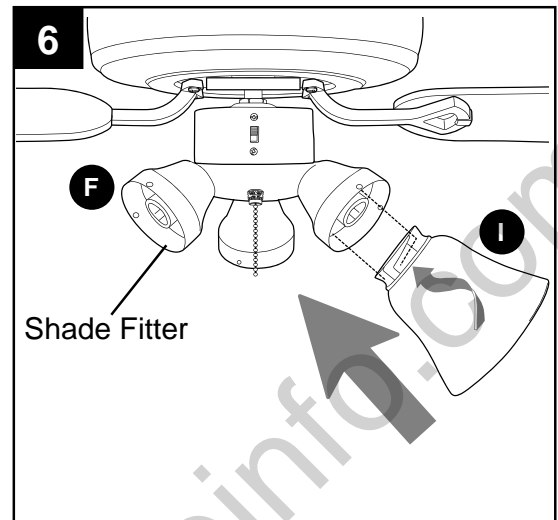
Re-insert the switch housing screws (P) previously removed (Step 4, page 12), then tighten all switch housing screws (P) with a Phillips screwdriver (not included).



6. Align slots on glass shade (I) with protrusions on the inside of the shade fitter preassembled on the light kit fitter (F). Turn glass shade (I) to the right (clockwise) until it no longer turns.

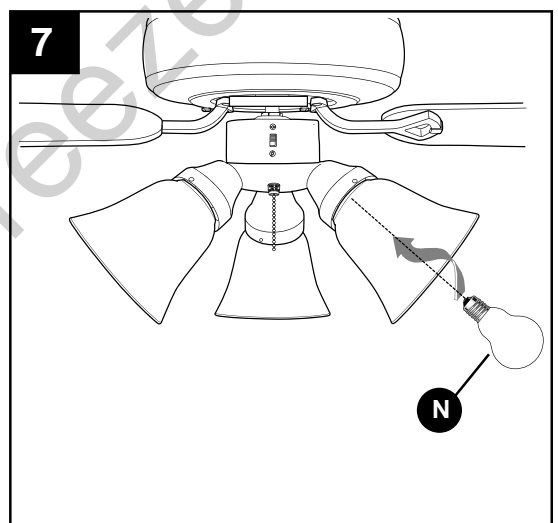
Repeat with remaining glass shades (I).

NOTE: Pull down **gently** on each glass shade (I) to make sure all glass shades (I) are secured completely.



7. Install bulbs (N).

IMPORTANT: When you need to replace bulbs, please allow the bulb(s) and glass shade(s) to cool down before touching them.

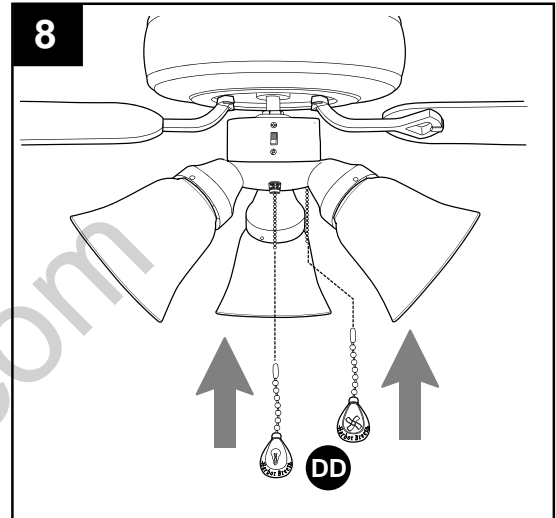


Lowes.com/harborbreeze

FINAL INSTALLATION

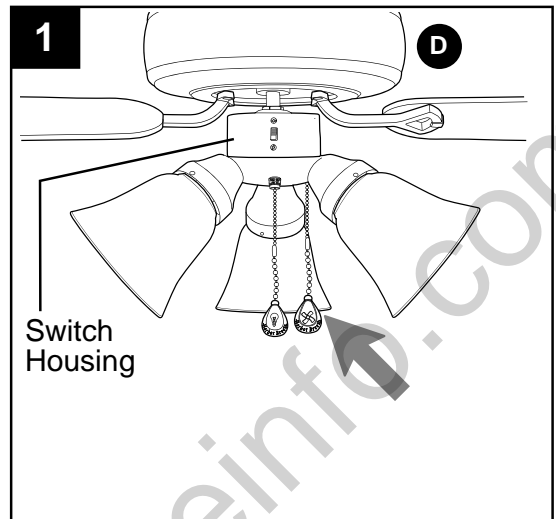
- Attach pull chain extensions (DD) or custom pull chain extensions (not included) to corresponding fan and light pull chains.

Hardware Used

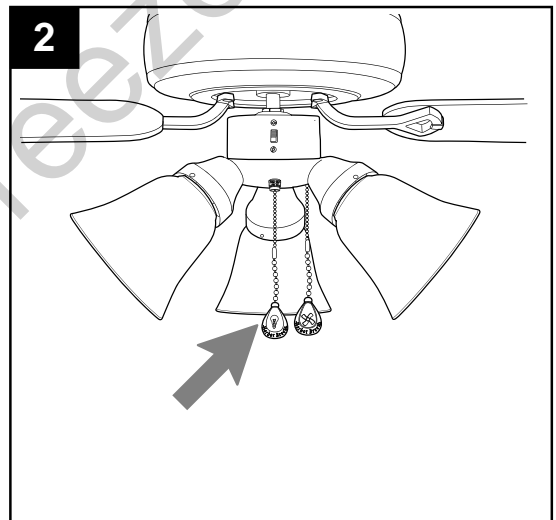


OPERATING INSTRUCTIONS

- The fan pull chain, located on the switch housing of motor housing (D), has four positions to control fan speed. One pull is HIGH, two is MEDIUM, three is LOW and four turns the fan OFF.



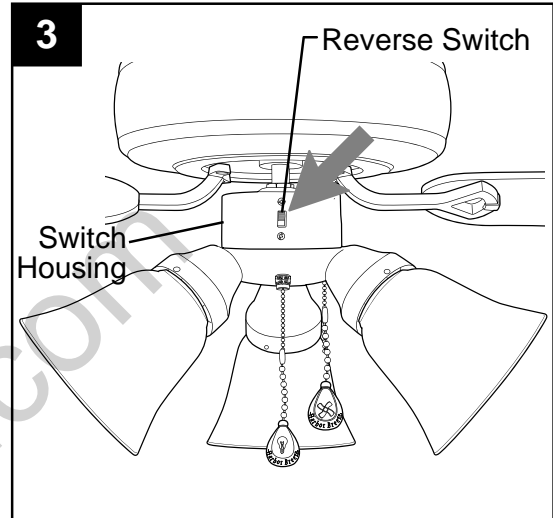
- The light pull chain, located in the middle, is used to turn the lights ON or OFF.



OPERATING INSTRUCTIONS

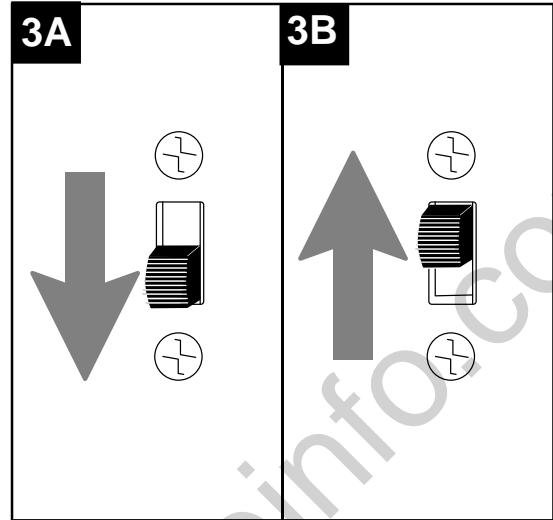
- Use the fan reverse switch, located on the switch housing, to optimize your fan for seasonal performance. A ceiling fan will allow you to raise your thermostat setting in summer and lower your thermostat setting in winter without feeling a difference in your comfort.

NOTE: Wait for fan to stop before moving the reverse switch.

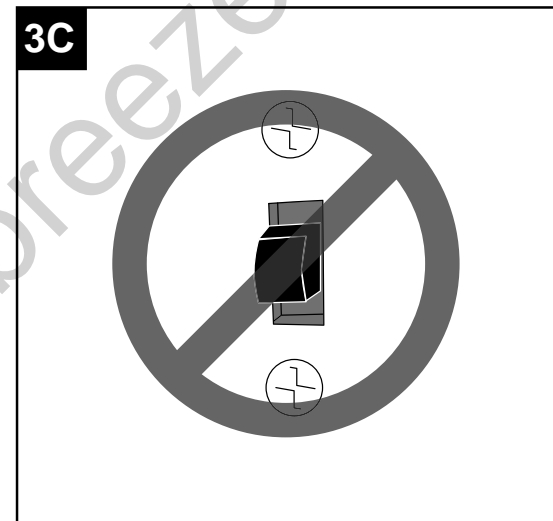


3A. In **warmer** weather, setting the reverse switch in the *DOWN* position will result in downward airflow creating a wind chill effect.

3B. In **cooler** weather, setting the reverse switch in the *UP* position will result in upward airflow that can help move stagnant, hot air off the ceiling area.



3C. **IMPORTANT:** Reverse switch must be set either **completely UP** or **completely DOWN** for fan to function. If the reverse switch is set in the *middle* position, fan will not operate.



CARE AND MAINTENANCE

At least twice each year, lower canopy (B) to check downrod (A) assembly, and then tighten all screws on the fan. Clean motor housing (D) with only a soft brush or lint-free cloth to avoid scratching the finish. Clean blades (G) with a lint-free cloth. You may occasionally apply a light coat of furniture polish to wood blades for added protection.

IMPORTANT: Shut off main power supply before beginning any maintenance. Do not use water or a damp cloth to clean the ceiling fan.

Bulb Replacement: Use 60-watt max. candelabra-base bulbs or 13-watt candelabra-base CFLs.

TROUBLESHOOTING

⚠ WARNING: Before beginning work, shut off the power supply to avoid electrical shock.

PROBLEM	POSSIBLE CAUSE	CORRECTIVE ACTION
Fan does not move.	<ol style="list-style-type: none"> 1. Reverse switch not engaged. 2. Power is off or fuse is blown. 3. Faulty wire connection. 	<ol style="list-style-type: none"> 1. Push switch firmly either up or down. 2. Turn power on or check fuse. 3. Turn power off. Loosen canopy and check all connections.
Noisy operation.	<ol style="list-style-type: none"> 1. Blades are loose. 2. Cracked blade. 3. Full range dimmer switch. 4. Fan is new. 	<ol style="list-style-type: none"> 1. Tighten all blade screws. 2. Replace blade. 3. Replace with an approved speed control device. 4. Allow fan a "break in" period of a few days, especially when running the fan at Medium and High speeds.
Excessive wobbling.	<ol style="list-style-type: none"> 1. Blades are loose. 2. Blade arms incorrectly attached. 3. Unbalanced blades. 4. Fan not securely mounted. 5. Fan too close to vaulted ceiling. 6. Set screw(s) on motor housing yoke is (are) not tightened properly. 7. Set screw on hanging ball is not tightened properly. 	<ol style="list-style-type: none"> 1. Tighten all blade screws. 2. Re-install blade arms. 3. Switch one blade with a blade from the opposite side or use balancing kit (Q). 4. Turn power off. Carefully loosen canopy and verify that mounting bracket is secure. 5. Use a longer downrod or move fan to another location. 6. Tighten yoke set screw(s) securely. 7. Carefully loosen and lower canopy and verify that set screw on hanging ball is tightened securely.



TROUBLESHOOTING

PROBLEM	POSSIBLE CAUSE	CORRECTIVE ACTION
Fan operates but lights fail.	<ol style="list-style-type: none"> 1. Bulb(s) not installed correctly. 2. Wires in canopy not wired properly. 3. Wall switch to light is off. 4. Wires in light kit fitter not wired correctly. 5. Light kit is lamped with more than the allowable 190W, causing the wattage limiting device to interrupt the flow of electricity to the light kit. 	<ol style="list-style-type: none"> 1. Re-install bulb(s). 2. Check wires in canopy and, if necessary, re-wire according to instructions on pages 9 - 11. 3. Make sure that wall switch to light is on. 4. Check that molex connections in light kit fitter are connected properly according to instructions on page 13. 5. Lamp light kit with bulbs that total no more than 190W.

LIMITED LIFETIME WARRANTY

The distributor warrants this fan to be free from defects in workmanship and materials present at time of shipment from the factory for Lifetime limited from the date of purchase. This warranty applies only to the original purchaser. The distributor agrees to correct any defect at no charge or, at our option, replace the ceiling fan with a comparable or superior model.

To obtain warranty service, present a copy of your sales receipt as proof of purchase. All cost of removal and reinstallation are the express responsibility of the purchaser. Any damage to the ceiling fan by accident, misuse or improper installation, or by using parts not produced by the manufacturer of this fan or affixing accessories not produced by the manufacturer of this fan, are the purchaser's own responsibility. The distributor assumes no responsibility whatsoever for fan installation during the limited lifetime warranty. Any service performed by an unauthorized person will render the warranty invalid.

Due to varying climatic conditions, this warranty does not cover changes in brass finish, rusting, pitting, tarnishing, corroding or peeling. Brass finish fans maintain their beauty when protected from varying weather conditions. Any glass provided with this fan is not covered by the warranty.

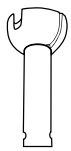
Any replacement of defective parts for the ceiling fan must be reported within the first year from the date of purchase. For the balance of the warranty, call our customer service department (at **1-800-643-0067**) for return authorization and shipping instructions so that we may repair or replace the ceiling fan. Any fan or parts returned improperly packaged is/are the sole responsibility of the purchaser. There is no further express warranty. The distributor disclaims any and all implied warranties. The duration of any implied warranty which cannot be disclaimed is limited to the limited lifetime period as specified in our warranty. The distributor shall not be liable for incidental, consequential or special damages arising at or in connection with product use or performance except as may otherwise be accorded by law. This warranty gives you specific legal rights and you may also have other rights which vary from state to state. This warranty supersedes all prior warranties.



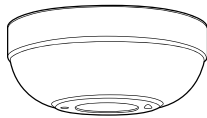
REPLACEMENT PARTS LIST

For replacement parts, call our customer service department at **1-800-643-0067**, 8 a.m. - 6 p.m., EST, Monday - Thursday, 8 a.m. - 5 p.m., EST, Friday.

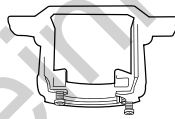
PART	DESCRIPTION	#0593742	#0648637	#0648638
		PART #	PART #	PART #
A	Downrod	0593742-A	0648637-A	0648638-A
B	Canopy	0593742-B	0648637-B	0648638-B
C	Mounting Bracket	0593742-C	0648637-C	0648638-C
F	Light Kit Fitter	0593742-F	0648637-F	0648638-F
G	Blade	0593742-G	0648637-G	0648638-G
H	Blade Arm	0593742-H	0648637-H	0648638-H



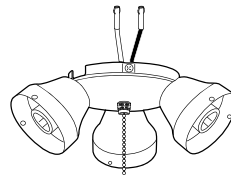
A



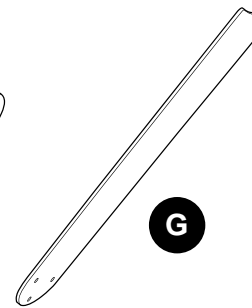
B



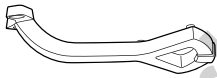
C



F



G



H

Printed in China

Harbor Breeze® is a registered trademark of LF, LLC. All Rights Reserved.



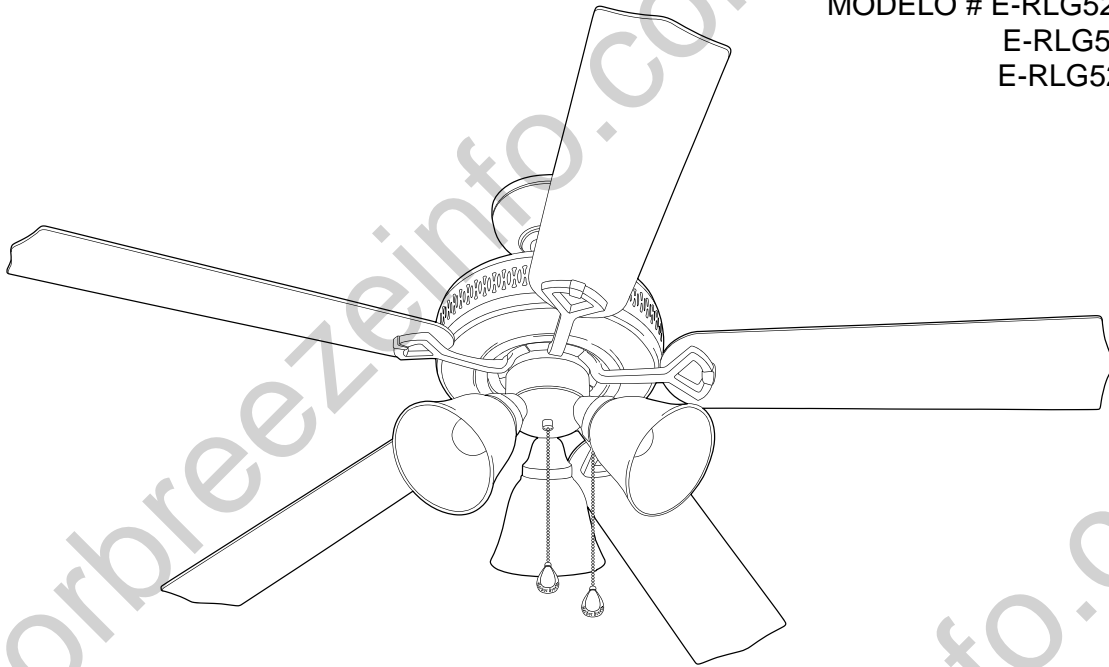


ARTÍCULO # 0593742
0648637
0648638

Harbor Breeze® es una marca registrada de LF, LLC. Todos los derechos reservados.

VENTILADOR DE TECHO BARNSTAPLE BAY

MODELO # E-RLG52NWZ5C
E-RLG52WW5C
E-RLG52BNK5C



harborbreezeinfo.com



4010239

ADJUNTE SU RECIBO AQUÍ

Número de serie _____ Fecha de compra _____



¿Preguntas, problemas, piezas faltantes? Antes de volver a la tienda, llame a nuestro Departamento de Servicio al Cliente al **1-800-643-0067**, de lunes a jueves de 8 a.m. a 6 p.m., y los viernes de 8 a.m. a 5 p.m., hora estándar del Este.



Lowes.com/harborbreeze

ÍNDICE

Información de seguridad	20
Contenido del paquete	22
Aditamentos	23
Preparación	23
Instalación inicial	24
Cableado	27
Instalación final	29
Instrucciones de funcionamiento	32
Cuidado y mantenimiento	34
Solución de problemas	34
Garantía	35
Lista de piezas de repuesto	36

INFORMACIÓN DE SEGURIDAD

LEA Y GUARDE ESTAS INSTRUCCIONES

Lea y comprenda completamente este manual antes de intentar ensamblar, instalar o usar el producto.

- No deseche la caja del ventilador ni los accesorios de espuma. En caso de que deba devolverse este ventilador a la fábrica para realizarle reparaciones, debe ser enviado en su empaque original para asegurar una protección adecuada contra daños que puedan agravar la causa inicial de la devolución.
- Asegúrese de que todas las conexiones eléctricas cumplan con los códigos y ordenanzas locales, el Código Eléctrico Nacional y la norma ANSI/NFPA 70-1999. Si no está familiarizado con la instalación del cableado eléctrico, contrate a un electricista calificado o consulte un manual de cableado para hacerlo usted mismo.
- Asegúrese de que el sitio de instalación que elija permita establecer una distancia mínima de 2,13 m desde las aspas hasta el piso y que los extremos de las aspas estén, como mínimo, a 76,2 cm de cualquier obstáculo.
- Una vez instalado el ventilador, asegúrese de que todas las conexiones sean seguras a fin de evitar que se caiga.
- El peso neto de este ventilador, incluido el kit de iluminación, es: 8,5 kg.



INFORMACIÓN DE SEGURIDAD

PELIGRO

Si utiliza una caja de salida existente, asegúrese de que esté bien sujeta a la estructura del edificio y que pueda sostener el peso del ventilador. El incumplimiento de dicho paso podría provocar lesiones graves o la muerte. La estabilidad de la caja de salida es fundamental para minimizar el tambaleo y el ruido en el ventilador una vez que la instalación esté completa.

ADVERTENCIA



Para reducir el riesgo de incendio, descargas eléctricas o lesiones personales, monte el ventilador en la caja de salida marcada como "ACCEPTABLE FOR FAN SUPPORT OF 35 LBS. (15.9 KG) OR LESS" (APTA PARA SOSTENER VENTILADORES DE 15,88 KG [35 LBS] O MENOS) y utilice los tornillos de montaje que se proporcionan con la caja de salida. La mayoría de las cajas de salida que se usan comúnmente para sostener las lámparas, no son aptas para sostener un ventilador y puede ser necesario reemplazarlas. Si tiene dudas, consulte a un electricista calificado.

Cuando monte el ventilador en una caja de salida del techo, use una caja de salida octogonal de METAL; NO use una caja de salida de plástico. Asegure la caja de salida directamente a la estructura del edificio. La caja de salida y su soporte deben ser capaces de sostener el peso del ventilador en movimiento (al menos 15,88 kg).

Para evitar lesiones personales, puede ser necesario usar guantes al manipular las piezas del ventilador con bordes filosos.

Para reducir el riesgo de incendios, descargas eléctricas o lesiones personales, los conectores de cables incluidos con este ventilador están diseñados para soportar solo un cable de la casa de calibre 12 y dos cables conductores del ventilador. Si el cable de la casa es de un calibre superior a 12 o hay más de un cable para conectar a los cables conductores del ventilador correspondientes, consulte a un electricista cuál es el tamaño adecuado de los conectores de cables que debe utilizar.

Para reducir el riesgo de incendios o descargas eléctricas, no use el ventilador con dispositivos de control de velocidad para ventiladores de estado sólido ni controle la velocidad del ventilador con un regulador de intensidad de rango completo.

Para reducir el riesgo de incendio, descarga eléctrica o lesiones personales, no doble los brazos de las aspas al instalarlos, al equilibrar las aspas o al limpiar el ventilador. No coloque objetos entre las aspas en movimiento.

Para reducir el riesgo de lesiones personales, use ÚNICAMENTE las piezas que se incluyen con este ventilador. El uso de piezas DISTINTAS a aquellas que se incluyen con este ventilador anulará la garantía.

Antes de instalar, asegúrese de cortar la alimentación eléctrica de la caja principal de fusibles o interruptor de circuito a fin de evitar descargas eléctricas.

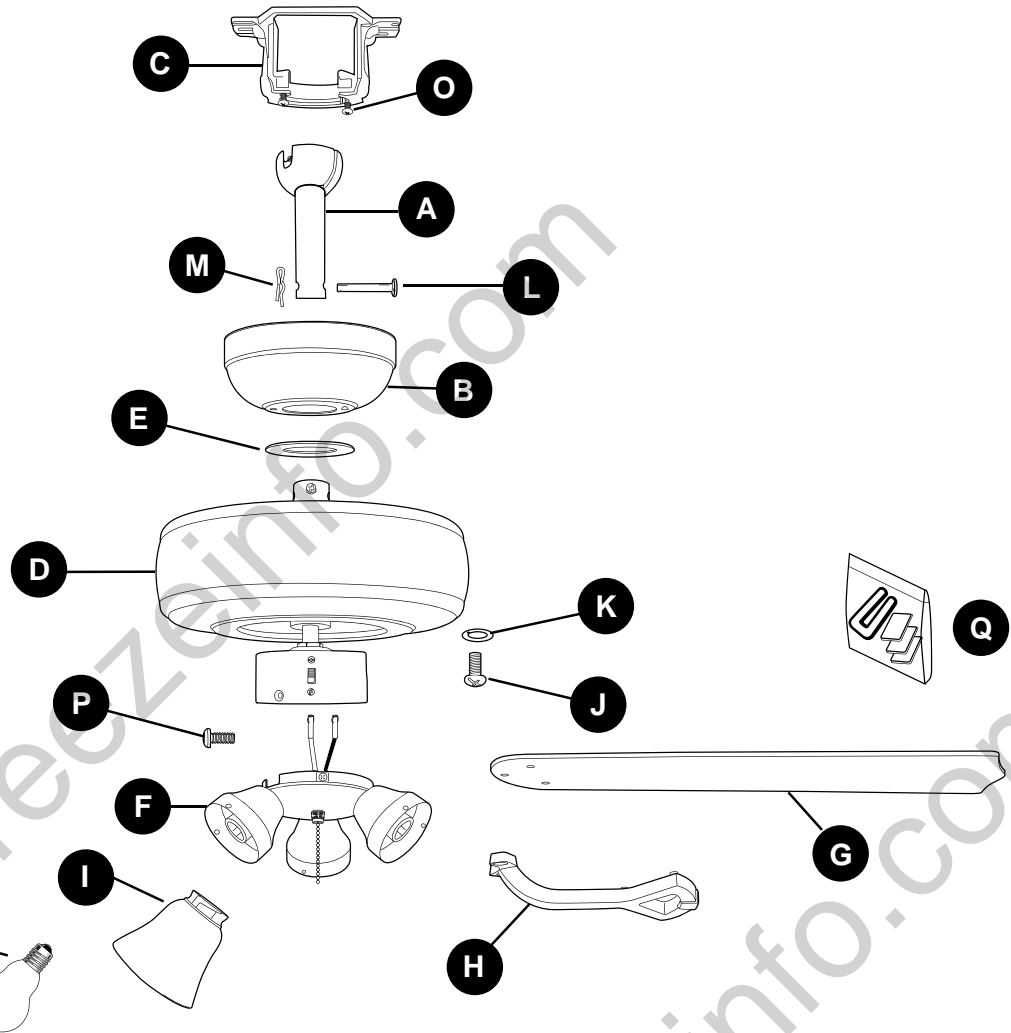
PRECAUCIÓN

Asegúrese de que la caja de salida tenga la puesta a tierra correcta y de que haya un conductor (verde o desnudo) de puesta a tierra.

Antes de comenzar la instalación, revise cuidadosamente todos los tornillos, pernos y tuercas del ensamble del motor del ventilador para comprobar que estén firmes.



CONTENIDO DEL PAQUETE



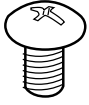
PIEZA	DESCRIPCIÓN	CANTIDAD
A	Varilla	1
B	Base	1
C	Soporte de montaje	1
D	Carcasa del motor	1
E	Cubierta de la base	1
F	Soporte del kit de iluminación	1
G	Aspa	5
H	Brazo del aspa	5
I	Pantalla de vidrio	3
J	Tornillo del motor (preensamblada)	10 + 1 adicional

PIEZA	DESCRIPCIÓN	CANTIDAD
K	Arandela de seguridad (preensamblada)	10 + 1 adicional
L	Pasador (preensamblado)	1
M	Sujetador (preensamblado)	1
N	Bombilla	3
O	Tornillo de montaje de la base (preensamblada)	2
P	Tornillo de la carcasa del interruptor (preensamblada)	3
Q	Kit de equilibrio	1

! IMPORTANTE: Debe utilizar las piezas que se incluyen con este ventilador para la instalación adecuada y por seguridad.

ADITAMENTOS (se muestran en tamaño real)

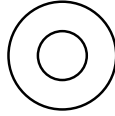
AA



Tornillo
para aspa

Cant. 15
+ 1 adicional

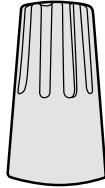
BB



Arandela
para aspa

Cant. 15
+ 1 adicional

CC



Conector de
cables E3

Cant. 4

DD



Extensión para la
cadena de tiro

Cant. 2

PREPARACIÓN

Antes de comenzar a ensamblar el producto, asegúrese de tener todas las piezas. Ubique el motor sobre una alfombra o espuma para evitar dañar el acabado. Compare las piezas con la lista del contenido del paquete y la lista de aditamentos. No intente instalar, usar ni ensamblar el producto si falta alguna pieza o si están dañadas.

Tiempo estimado de ensamblaje: 120 minutos

Herramientas necesarias para el ensamblaje (no se incluyen): Cinta aislante, destornillador Phillips, pinzas, gafas de seguridad, escalera de tijera y pinzas pelacables

Herramientas útiles (no se incluyen): Luz de prueba CA, cinta métrica, manual de cableado Hágalo usted mismo y pinzas cortacables

INSTALACIÓN INICIAL

1. Interrumpa el suministro de energía hacia el ventilador apagando los interruptores de circuito o el fusible y el interruptor de pared.

⚠ PELIGRO: Si no interrumpe el suministro de electricidad antes de la instalación, pueden producirse lesiones graves o la muerte.

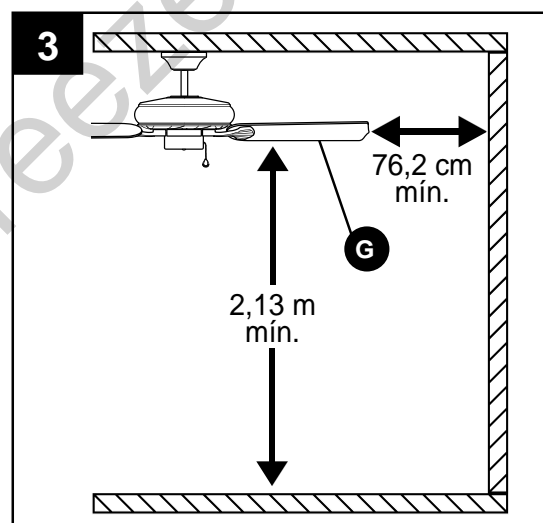
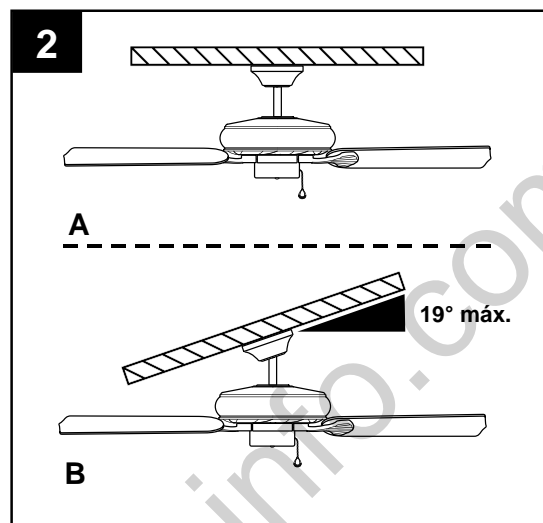
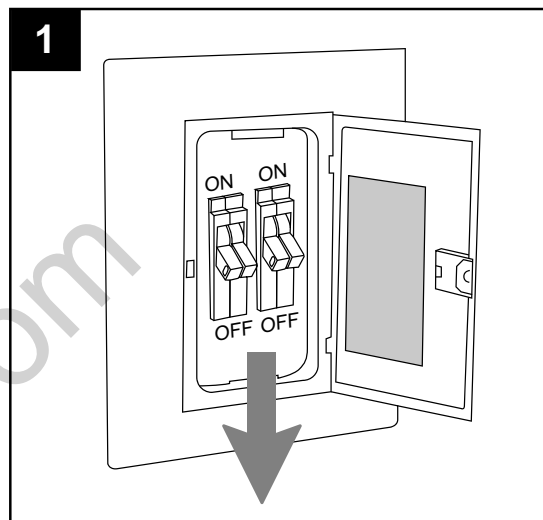
2. Determine el método de instalación que utilizará.
 - A. Montaje estándar
 - B. Montaje en ángulo

Nota: Las opciones de montaje cerrado y de montaje a ras no se encuentran disponibles para este ventilador.

IMPORTANTE: Si realiza el montaje en ángulo, verifique que el ángulo del techo no tenga una inclinación superior a los 19°.

***Consejo útil:** El montaje de varilla es mejor para los techos de 2,44 m de alto o más altos. Para techos más altos, se recomienda utilizar una varilla más larga (no incluida). El montaje en ángulo es mejor para los techos en ángulo o de bóveda. En ocasiones, es necesaria una varilla más larga para asegurar una adecuada separación de las aspas.

3. Compruebe que las aspas (G) estarán, al menos, a 76,2 cm de cualquier obstáculo. Verifique el largo de la varilla (A) para asegurarse de que las aspas (G) estarán al menos a 2,13 m por encima del piso.

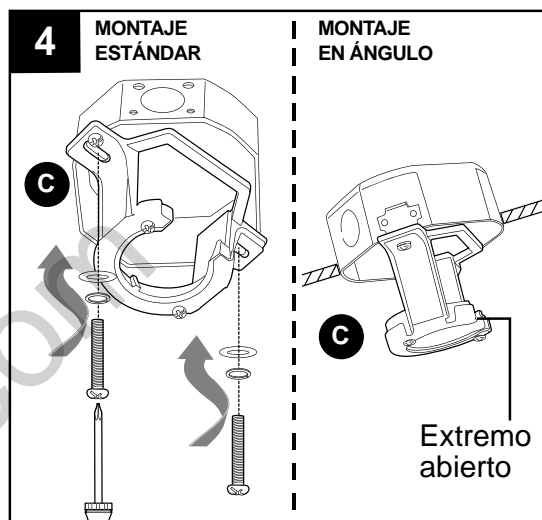


INSTALACIÓN INICIAL

4. Asegure el soporte de montaje (C) a la caja de salida (no se incluye) con los tornillos, las arandelas de resorte y las arandelas planas que incluye la caja de salida.

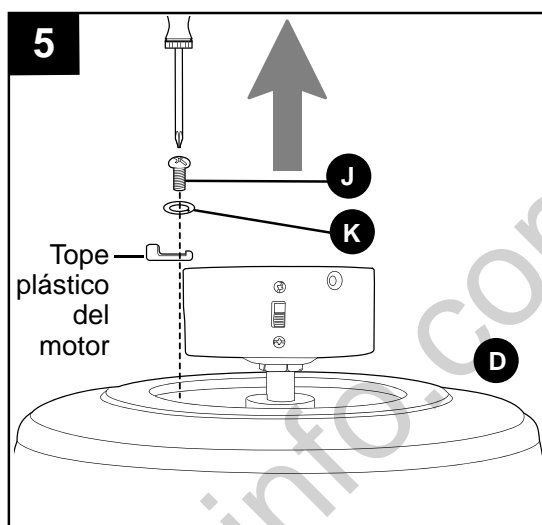
***NOTA:** Es muy importante que use los aditamentos adecuados para instalar el soporte de montaje (C), ya que este soportará el ventilador.

IMPORTANTE: Si realiza el montaje en ángulo, asegúrese de que el extremo abierto del soporte de montaje (C) esté instalado en dirección hacia el punto más alto del techo y de que el ángulo del techo no sea superior a 19°.



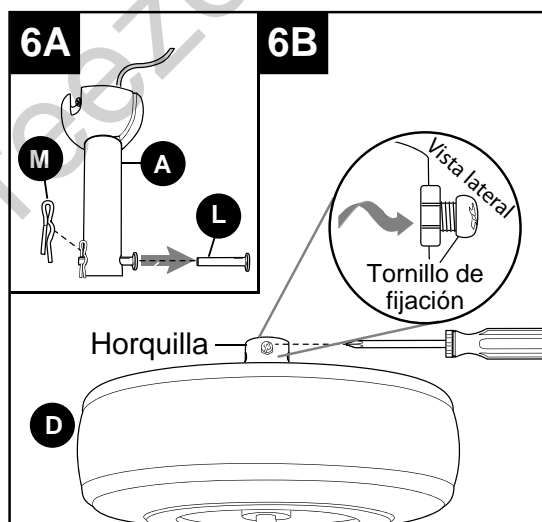
5. Retire los tornillos del motor preensamblados (J) y las arandelas de seguridad (K) de la parte inferior de la carcasa del motor (D). Si hay topes plásticos del motor instalados con los tornillos del motor (J), deseche los topes plásticos del motor.

Nota: Asegúrese de mantener todo el aditamento separado para evitar confundirlo durante la instalación.



6. Retire el pasador (L) y el sujetador (M) de la varilla (A).

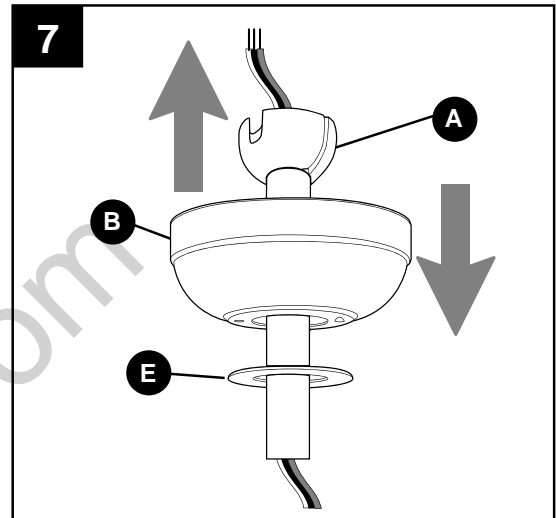
Afloje parcialmente los tornillos de fijación preensamblados de la horquilla en la parte superior de la carcasa del motor (D).



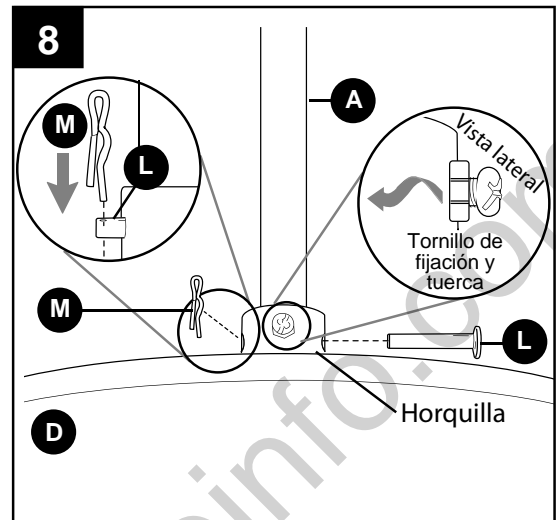
INSTALACIÓN INICIAL

7. Coloque la varilla (A) por la base (B) y la cubierta de la base (E). **NOTA:** La cubierta de la base (E) debe girarse con el lado brillante apuntando hacia la carcasa del motor (D).

Luego, pase los cables desde la carcasa del motor (D) a través de la varilla (A).



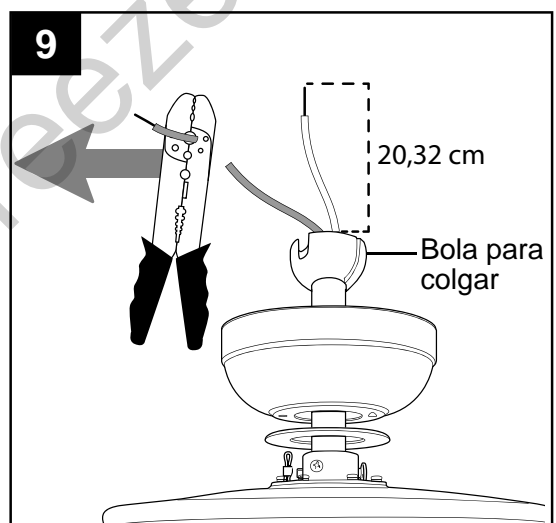
8. Deslice la varilla (A) en la horquilla de la carcasa del motor, alinee los orificios y vuelva a instalar el pasador (L) y el sujetador (M). Apriete los tornillos de fijación en la horquilla de la carcasa del motor y apriete las tuercas previamente ensambladas a los tornillos de fijación.



9. Dependiendo del largo de la varilla que utilice, es posible que necesite cortar los cables conductores para simplificar el cableado. Si decide cortar los cables conductores, se sugiere hacerlo de la siguiente manera:

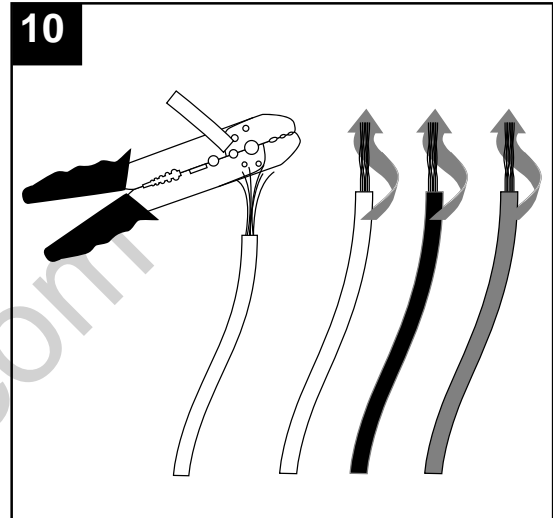
Sujete los cables conductores y asegúrese de jalarlos completamente a través de la parte superior de la varilla. Comience en la parte SUPERIOR de la bola para colgar en la varilla y mida 20,32 cm de cable conductor y corte el exceso de cable con las pinzas cortacables (no se incluyen).

NOTA: Si no cortó los cables conductores, los **Pasos 9 y 10 no son necesarios y puede proceder con el Paso 11 en su lugar.**



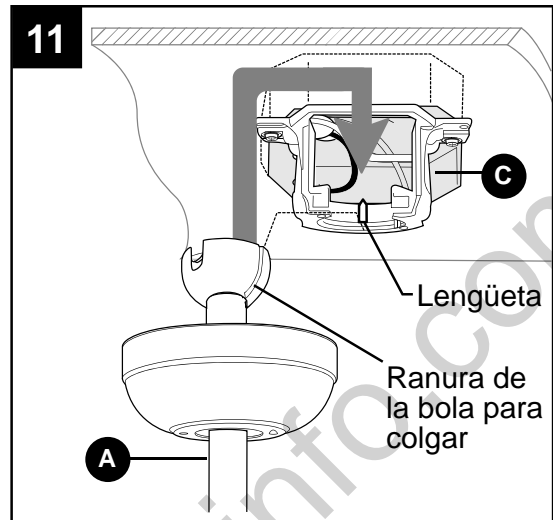
INSTALACIÓN INICIAL

10. Si decidió acortar los cables conductores en el paso 9, pele 12,7 mm del aislamiento del extremo de cada cable: blanco, negro, verde y azul (si corresponde). Tuerza los extremos pelados de cada filamento de cable dentro del aislamiento con pinzas (no se incluyen).



11. Instale la bola para colgar en la varilla (A) en la abertura del soporte de montaje (C). Alinee una de las ranuras en la bola para colgar con la lengüeta del soporte de montaje (C).

⚠ PELIGRO: Si no alinea una de las ranuras de la bola con la lengüeta, pueden producirse lesiones graves o la muerte.



CABLEADO

⚠ ADVERTENCIA: Para reducir el riesgo de incendios, descargas eléctricas o lesiones personales, los conectores de cables incluidos con este ventilador están diseñados para soportar solo un cable de la casa de calibre 12 y dos cables conductores del ventilador. Si el cable de la casa es de un calibre superior a 12 o hay más de un cable para conectar a los cables conductores del ventilador correspondientes, consulte a un electricista cuál es el tamaño adecuado de los conectores de cables que debe utilizar.

⚠ PRECAUCIÓN: Asegúrese de que la caja de salida tenga la puesta a tierra correcta y de que haya un conductor (VERDE o DESNUDO) de puesta a tierra.

⚠ ADVERTENCIA: Si los cables de la casa no tienen los mismos colores que se mencionan en los siguientes pasos, deténgase de inmediato. Se recomienda que un electricista profesional determine el cableado adecuado.

⚠ ADVERTENCIA: El uso de un regulador de intensidad de rango completo (no se incluye) para controlar la velocidad del ventilador provocará un zumbido intenso del ventilador. Para reducir el riesgo de incendios o descargas eléctricas, NO use un regulador de intensidad de rango completo para controlar la velocidad del ventilador.

NOTA: Este ventilador puede adaptarse para control remoto (el control remoto no se incluye). Consulte las instrucciones que se proporcionan con el control remoto antes de proceder con estas instrucciones de cableado.



CABLEADO

1. Escoja el diagrama de cableado (Fig. 1A, Fig. 1B o Fig. 1C) que se ajuste a su situación y realice las conexiones del cableado adecuadas como se indica a continuación: [**IMPORTANTE:** Utilice uno de los conectores de cables (CC) provistos para realizar la conexión de cada cable y asegúrese de atornillar el conector de cable (CC) en dirección de las manecillas del reloj].

1A. VENTILADOR Y LUZ CONTROLADOS POR CADENAS DE TIRO: Conecte los cables NEGRO y AZUL del ventilador al cable NEGRO del techo. Conecte el cable BLANCO del ventilador al cable BLANCO del techo. Conecte los cables de PUESTA A TIERRA (VERDES) desde la varilla (A) y soporte de montaje (C) al cable DESNUDO o VERDE del techo.

1B. VENTILADOR CONTROLADO POR CADENA DE TIRO Y LUZ CONTROLADA POR INTERRUPTOR DE PARED: Conecte el cable NEGRO del ventilador al cable NEGRO del techo. Conecte el cable AZUL del ventilador al cable NEGRO (o ROJO) del interruptor de pared independiente para la luz. Conecte el cable BLANCO del ventilador al cable BLANCO del techo. Conecte los cables de PUESTA A TIERRA (VERDES) desde la varilla (A) y soporte de montaje (C) al cable DESNUDO o VERDE del techo.

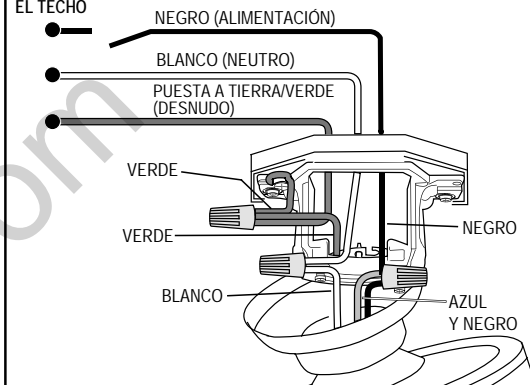
1C. VENTILADOR Y LUZ CONTROLADOS POR DOS INTERRUPTORES DE PARED: Conecte el cable NEGRO del ventilador al cable NEGRO (o ROJO) del interruptor de pared independiente del ventilador. Conecte el conductor AZUL del ventilador al conductor NEGRO (o ROJO) del otro interruptor de pared independiente para la luz. Conecte el cable BLANCO del ventilador al cable BLANCO del techo. Conecte los cables de PUESTA A TIERRA (VERDES) desde la varilla (A) y soporte de montaje (C) al cable DESNUDO o VERDE del techo.

NOTA: El cable NEGRO es el que proporciona alimentación al ventilador. El cable AZUL es el que proporciona alimentación al kit de iluminación. El cable BLANCO es para el ventilador y el kit de iluminación. El cable VERDE o DESNUDO es la puesta a tierra.

VENTILADOR Y LUZ CONTROLADOS POR CADENAS DE TIRO

1a

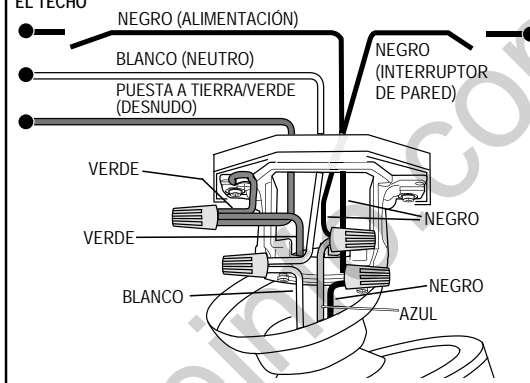
ALIMENTACIÓN DE 120 V DESDE EL TECHO



VENTILADOR CONTROLADO POR CADENA DE TIRO Y LUZ CONTROLADA POR INTERRUPTOR DE PARED

1b

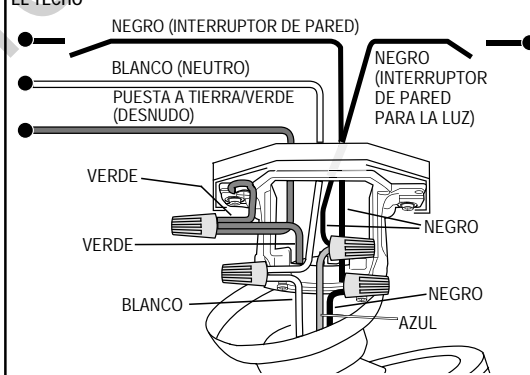
ALIMENTACIÓN DE 120 V DESDE EL TECHO



VENTILADOR Y LUZ CONTROLADOS POR DOS INTERRUPTORES DE PARED

1c

ALIMENTACIÓN DE 120 V DESDE EL TECHO

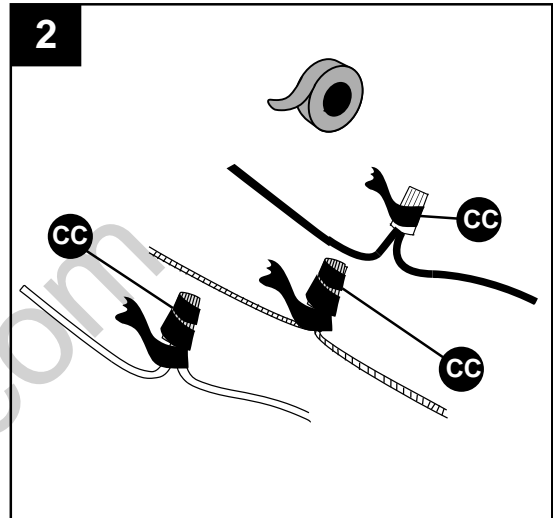


CABLEADO

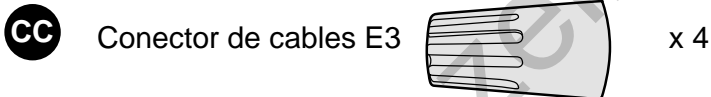
- Cubra con cinta aislante (no se incluye) cada conector de cables (CC) individual hacia abajo del conductor.

⚠ ADVERTENCIA: Asegúrese de que no haya conductores desnudos ni filamentos de cables visibles después de hacer las conexiones. Coloque los cables VERDE y BLANCO en el lado opuesto de la caja de salida con respecto a las conexiones de los cables NEGRO y AZUL.

Gire los cables empalmados o cubiertos con cinta hacia arriba y empuje suavemente los cables y los conectores de cables (CC) hacia dentro de la caja de salida.



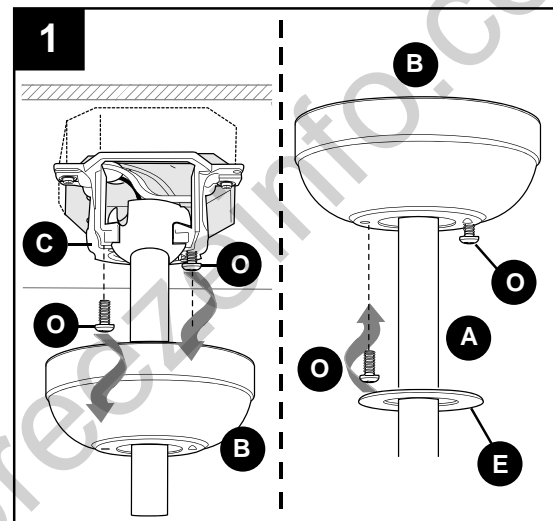
Aditamentos utilizados



INSTALACIÓN FINAL

- Ubique dos tornillos de montaje de la base (O) debajo del soporte de montaje (C) y retire el tornillo de montaje de la base (O) más cercano al extremo abierto del soporte de montaje (C). Afloje parcialmente el otro tornillo de montaje de la base (O).

Luego, levante la base (B) hasta el soporte de montaje (C). Coloque la parte redondeada del orificio ranurado de la base (B) sobre el tornillo de montaje suelto de la base (O) en el soporte de montaje (C) y empuje hacia arriba. Gire la base (B) para bloquearla. Vuelva a colocar el tornillo de montaje de la base (O) que se retiró, luego apriete firmemente ambos tornillos de montaje de la base (O). Para terminar, deslice la cubierta de la base (E) hacia arriba hasta la base (B) alineando la parte redondeada de los orificios ranurados en la cubierta de la base (E) con las cabezas de los tornillos en la parte inferior de la base (B). Gire la cubierta de la base (E) en dirección de las manecillas del reloj hasta que se detenga.

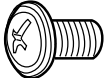



INSTALACIÓN FINAL

2. Inserte parcialmente tres tornillos para aspa (AA) junto con tres arandelas para aspa (BB) en los orificios del aspa (G) para fijar el brazo del aspa (H) al aspa (G). Luego, apriete cada uno de los tornillos para las aspas (AA), comenzando por el que está en el centro.

Repita el Paso 3 para las aspas (G) y brazos del aspa (H) restantes.

Aditamentos utilizados

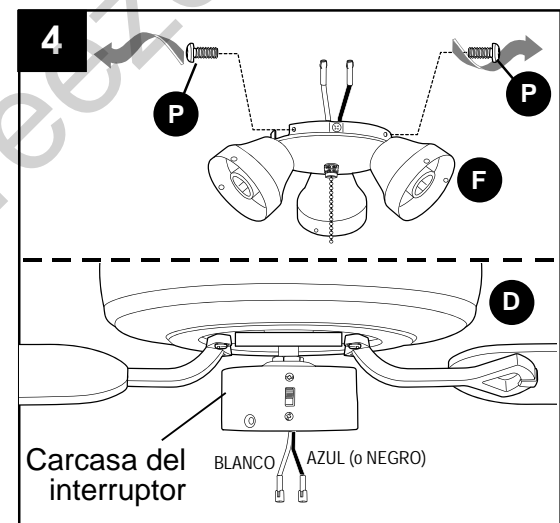
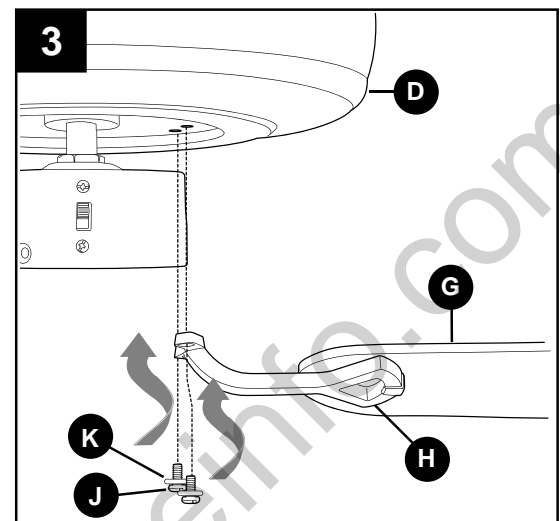
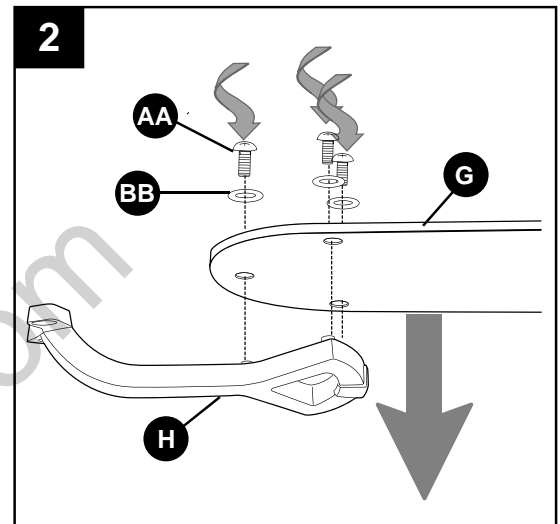
- AA** Tornillo para aspa  x 15
- BB** Arandela para aspa  x 15

3. Fije los brazos de las aspas (H) a la parte inferior de la carcasa del motor (D) con los tornillos del motor (J) y las arandelas de seguridad (K) que retiró previamente (Paso 5, página 25). Apriete bien los tornillos del motor (J).

Nota: Asegúrese de fijar completamente cada brazo de aspa (H) antes de proceder con el siguiente.

4. Retire los tres tornillos de la carcasa del interruptor (P) preensamblados del soporte del kit de iluminación (F).

Ubique los cables AZUL (o NEGRO) y BLANCO, etiquetados como FOR LIGHT (PARA LA LUZ), en la carcasa del interruptor que se encuentra preensamblada en la carcasa del motor (D) y retire el plástico de estos dos cables.



INSTALACIÓN FINAL

5. Conecte el cable BLANCO de la carcasa del interruptor al cable BLANCO del soporte del kit de iluminación (F). Conecte el cable AZUL (o NEGRO) de la carcasa del interruptor con el cable NEGRO del soporte del kit de iluminación (F). Asegúrese de que las conexiones molex sean seguras.

Alinee los orificios del soporte del kit de iluminación (F) con los orificios de la carcasa del interruptor.

Nota: Asegúrese de alinear la muesca en el extremo superior del soporte del kit de iluminación (F) con el interruptor de reversa de la carcasa del interruptor para que calce correctamente.

Vuelva a insertar los tornillos de la carcasa del interruptor (P) que retiró previamente (Paso 4, página 30) y luego apriete todos los tornillos de la carcasa del interruptor (P) con un destornillador Phillips (no incluido).

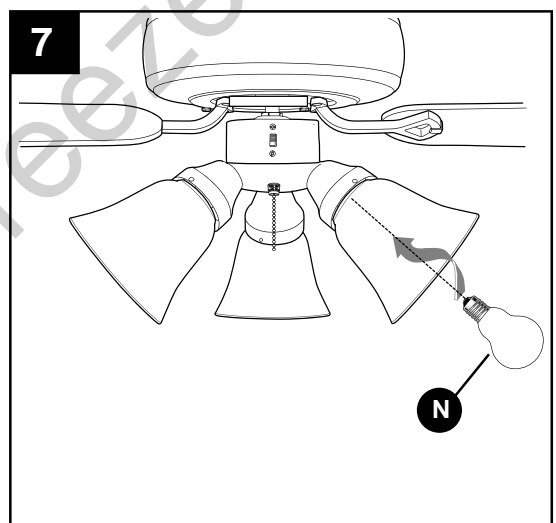
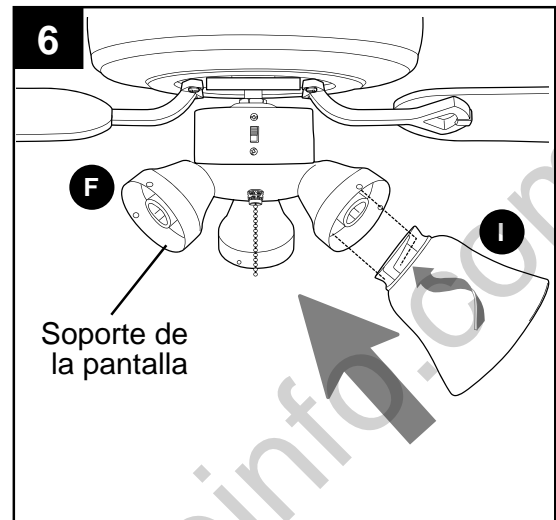
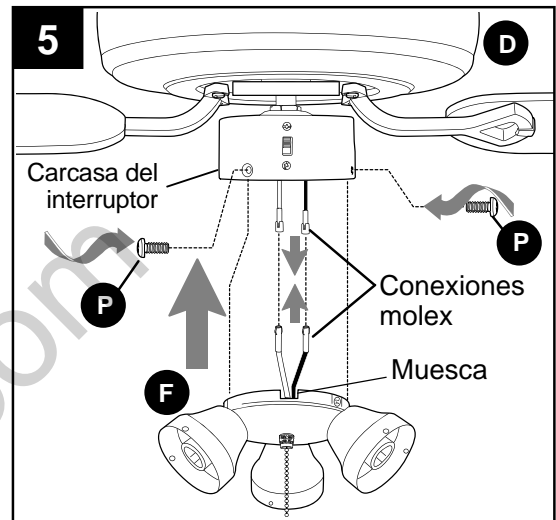
6. Alinee las ranuras de la pantalla de vidrio (I) con las protuberancias dentro de la placa de soporte de la pantalla preensamblada en el soporte del kit de iluminación (F). Gire la pantalla de vidrio (I) hacia la derecha (en dirección de las manecillas del reloj) hasta que no gire más.

Repita el procedimiento con las otras pantallas de vidrio (I).

NOTA: Jale *suavemente* de cada pantalla de vidrio (I) para asegurarse de que todas las pantallas (I) estén completamente fijadas.

7. Instale las bombillas (N).

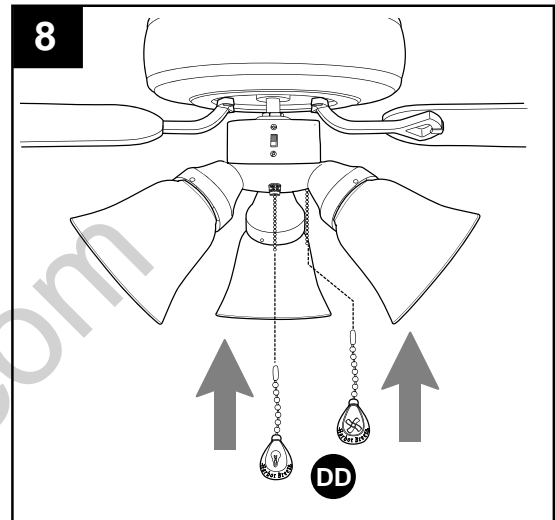
IMPORTANTE: Cuando necesite reemplazar las bombillas, deje que estas y las pantallas de vidrio se enfríen antes de tocarlas.



INSTALACIÓN FINAL

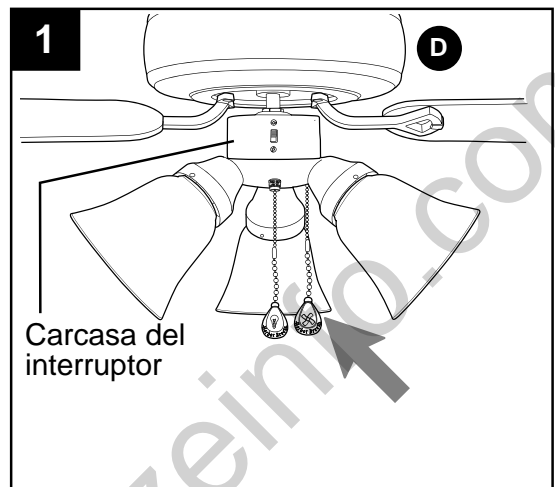
8. Conecte las extensiones para la cadena de tiro (DD) o las extensiones para la cadena de tiro personalizadas (no incluidas) con las cadenas de tiro del ventilador y luz correspondientes.

Aditamentos utilizados

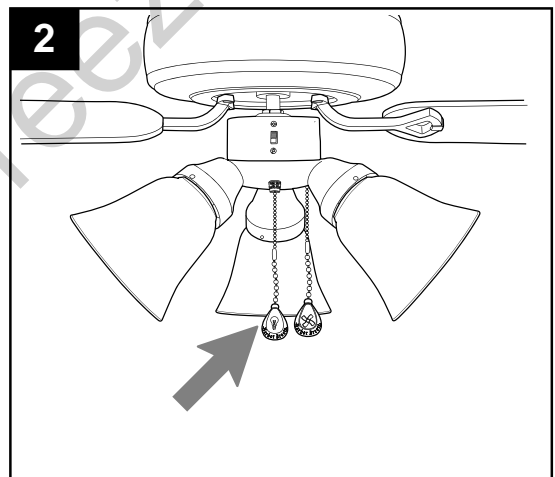


INSTRUCCIONES DE FUNCIONAMIENTO

1. La cadena de tiro del ventilador, ubicada en la carcasa del interruptor de la carcasa del motor (D), tiene cuatro posiciones para controlar la velocidad del ventilador. Un movimiento activa la velocidad ALTA; dos para la velocidad MEDIA; tres para la velocidad BAJA; y cuatro para APAGAR el ventilador.



2. La cadena de tiro de iluminación, ubicada en la parte central, se utiliza para ENCENDER o APAGAR las luces.

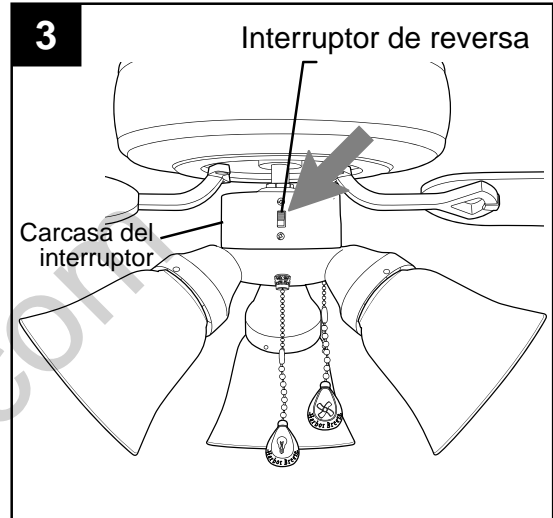


Lowes.com/harborbreeze

INSTRUCCIONES DE FUNCIONAMIENTO

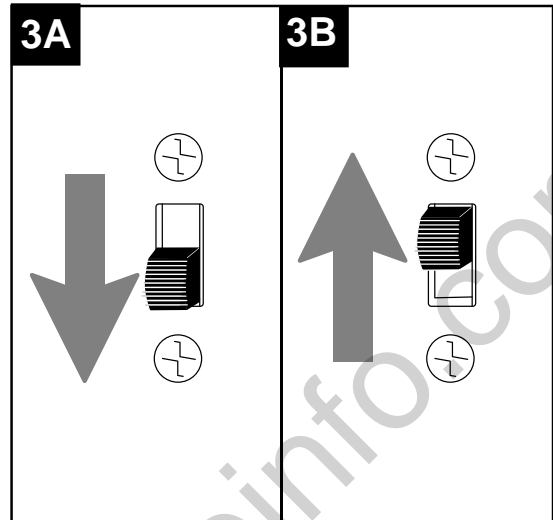
3. Utilice el interruptor de reversa del ventilador, ubicado en la carcasa del interruptor, para optimizar el rendimiento de su ventilador según la estación del año. Un ventilador de techo le permitirá elevar la configuración de su termostato en verano y disminuirla en invierno, sin sentir una diferencia en su comodidad.

NOTA: Espere a que el ventilador se detenga antes de mover el interruptor de reversa.

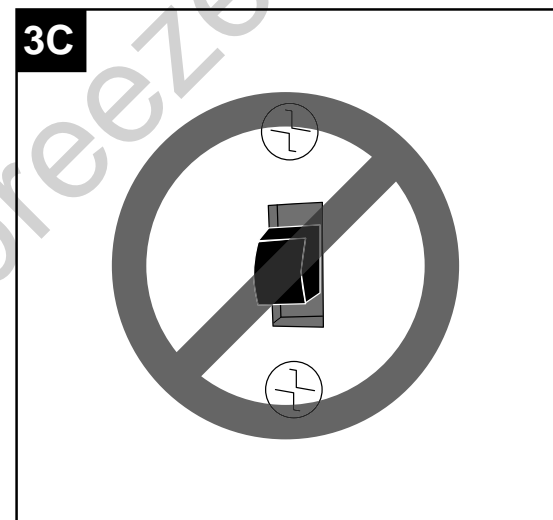


3A. En climas más **cálidos**, la configuración del interruptor de reversa en la posición **DOWN** (abajo) creará un flujo de aire descendente que generará un efecto de viento refrescante.

3B. En climas más **fríos**, la configuración del interruptor de reversa en la posición **UP** (arriba) creará un flujo de aire ascendente que puede ayudar a mover el aire caliente estancado fuera del área del techo.



3C. **IMPORTANTE:** El interruptor de reversa se debe configurar ya sea **completamente UP** (arriba) o **completamente DOWN** (abajo) para que funcione el ventilador. Si el interruptor de reversa se configura en la posición del *medio*, el ventilador no funcionará.



CUIDADO Y MANTENIMIENTO

Al menos dos veces al año, baje la base (B) para revisar el ensamble de la varilla (A) y luego apriete todos los tornillos en el ventilador. Limpie la carcasa del motor (D) solo con un cepillo suave o un paño que no produzca pelusas para evitar rayar el acabado. Limpie las aspas (G) con un paño que no produzca pelusas. De vez en cuando puede aplicar una fina capa de cera para muebles en las aspas de madera para darles más protección. **IMPORTANTE:** Antes de realizar cualquier trabajo de mantenimiento, desconecte el suministro de electricidad. No utilice agua ni un paño húmedo para limpiar el ventilador de techo.

Reemplazo de las bombillas: Use bombillas de base candelabro de 60 vatios como máximo o bombillas CFL de base candelabro de 13 vatios.

SOLUCIÓN DE PROBLEMAS

⚠ ADVERTENCIA: Antes de comenzar cualquier trabajo, desconecte el suministro de electricidad para evitar descargas eléctricas.

PROBLEMA	CAUSA POSIBLE	ACCIÓN CORRECTIVA
El ventilador no se mueve.	<ol style="list-style-type: none"> 1. El interruptor de reversa no está activado. 2. No hay alimentación eléctrica o hay un fusible quemado. 3. La conexión de los cables es incorrecta. 	<ol style="list-style-type: none"> 1. Mueva firmemente el interruptor hacia arriba o hacia abajo. 2. Conecte la alimentación eléctrica o revise el fusible. 3. Desconecte la alimentación. Afloje la base y revise todas las conexiones.
El funcionamiento es ruidoso.	<ol style="list-style-type: none"> 1. Las aspas están flojas. 2. Hay un aspa partida. 3. Se está utilizando un regulador de intensidad de rango completo. 4. El ventilador es nuevo. 	<ol style="list-style-type: none"> 1. Apriete todos los tornillos de las aspas. 2. Reemplace el aspa. 3. Reemplace por un dispositivo de control de velocidad autorizado. 4. Permita que el ventilador tenga un período de asentamiento de un par de días, especialmente al encender el ventilador a velocidades media y alta.
Hay un tambaleo excesivo.	<ol style="list-style-type: none"> 1. Las aspas están flojas. 2. Los brazos de las aspas no están ajustados correctamente. 3. Las aspas no están equilibradas. 4. El ventilador no está bien colocado. 5. El ventilador está demasiado cerca del techo de bóveda. 6. El (los) tornillo(s) de fijación en la horquilla de la carcasa del motor no está(n) bien apretado(s). 7. El tornillo de fijación en la bola para colgar no está bien apretado. 	<ol style="list-style-type: none"> 1. Apriete todos los tornillos de las aspas. 2. Vuelva a instalar los brazos de las aspas. 3. Cambie un aspa por la del lado opuesto o utilice el kit de equilibrio de aspas (Q). 4. Desconecte la alimentación. Afloje cuidadosamente la base y verifique que el soporte de montaje esté firme. 5. Utilice una varilla más larga o mueva el ventilador a otra ubicación. 6. Apriete firmemente el (los) tornillo(s) de fijación. 7. Afloje y baje cuidadosamente la base y verifique que el tornillo de fijación de la bola para colgar esté bien apretado.

SOLUCIÓN DE PROBLEMAS

PROBLEMA	CAUSA POSIBLE	ACCIÓN CORRECTIVA
El ventilador funciona pero las luces no.	<ol style="list-style-type: none"> 1. Las bombillas no están bien instaladas. 2. Los conductores de la base no están bien conectados. 3. El interruptor de pared de la luz está apagado. 4. Los cables del soporte del kit de iluminación no están conectados correctamente. 5. El kit de iluminación cuenta con lámparas de más de los 190 vatios permitidos, lo que provoca que el dispositivo de control de vataje interrumpa el flujo de electricidad hacia el kit de iluminación. 	<ol style="list-style-type: none"> 1. Vuelva a instalar las bombillas. 2. Revise los conductores de la base y, si es necesario, vuelva a conectarlos de acuerdo con las instrucciones de las páginas 27 a 29. 3. Asegúrese de que el interruptor de pared de la luz esté en la posición de encendido. 4. Verifique que las conexiones molex en el soporte del kit de iluminación estén bien conectadas de acuerdo con las instrucciones de la página 31. 5. Kit de iluminación de la lámpara con bombillas que no suman más de 190 vatios.

GARANTÍA LIMITADA DE POR VIDA

El distribuidor garantiza que este ventilador no presenta defectos en la mano de obra ni en los materiales presentes al momento del transporte desde la fábrica durante un período limitado de por vida a partir de la fecha de compra. Esta garantía es válida solo para el comprador original. El distribuidor acepta reparar cualquier defecto sin cargo o, según nuestro criterio, reemplazar el ventilador de techo por un modelo comparable o superior.

Para obtener el servicio de garantía, presente una copia del recibo de venta como comprobante de la compra. Todos los costos de extracción y reinstalación son responsabilidad absoluta del comprador. Cualquier daño al ventilador de techo producido por accidente, uso indebido o instalación incorrecta, o por el uso de piezas no producidas por el fabricante de este ventilador o accesorios de fijación que no son del fabricante de este ventilador, será responsabilidad del comprador. El distribuidor no asume ningún tipo de responsabilidad por la instalación del ventilador durante la garantía limitada de por vida. Cualquier servicio realizado por una persona no autorizada invalidará la garantía.

Debido a las condiciones climáticas cambiantes, esta garantía no cubre cambios en el acabado de latón, óxido, picaduras, deslustre, corrosión o descascarado. Los ventiladores con acabado de latón mantienen su belleza cuando se les protege de las condiciones climáticas cambiantes. La garantía no cubre los elementos de vidrio incluidos con este ventilador.

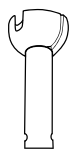
Cualquier reemplazo de piezas defectuosas para el ventilador de techo debe informarse dentro del primer año a partir de la fecha de compra. Para conocer el saldo de la garantía, llame a nuestro Departamento de Servicio al Cliente (al **1-800-643-0067**) para obtener la autorización para la devolución y las instrucciones de envío, de modo que podamos reparar o reemplazar el ventilador de techo. Un ventilador o piezas devueltas con un embalaje incorrecto son de responsabilidad única del comprador. No existe otro tipo de garantía explícita. El distribuidor rechaza cualquiera y todas las garantías implícitas. La duración de cualquier garantía implícita que no pueda rechazarse se limita al período limitado de por vida especificado en nuestra garantía. El distribuidor no se hará responsable por daños accidentales, resultantes ni especiales que surjan en relación con el uso o el funcionamiento del producto, excepto que la ley indique lo contrario. Esta garantía le otorga derechos legales específicos, pero podría tener también otros derechos que varían según el estado. Esta garantía sustituye cualquier garantía previa.



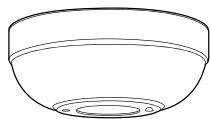
LISTA DE PIEZAS DE REPUESTO

Para obtener piezas de repuesto, llame a nuestro Departamento de Servicio al Cliente al **1-800-643-0067**, de lunes a jueves de 8 a.m. a 6 p.m., y los viernes de 8 a.m. a 5 p.m., hora estándar del Este.

PIEZA	DESCRIPCIÓN	#0593742	#0648637	#0648638
		PIEZA #	PIEZA #	PIEZA #
A	Varilla	0593742-A	0648637-A	0648638-A
B	Base	0593742-B	0648637-B	0648638-B
C	Soporte de montaje	0593742-C	0648637-C	0648638-C
F	Soporte del kit de iluminación	0593742-F	0648637-F	0648638-F
G	Aspa	0593742-G	0648637-G	0648638-G
H	Brazo del aspa	0593742-H	0648637-H	0648638-H



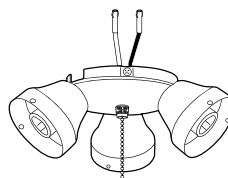
A



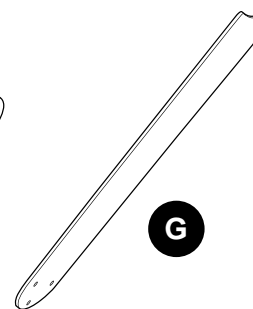
B



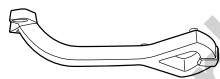
C



F



G



H

Impreso en China

Harbor Breeze® es una marca registrada de LF, LLC. Todos los derechos reservados.

